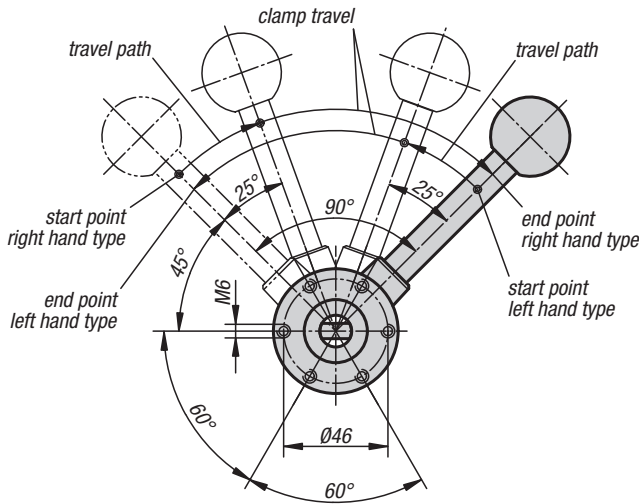


"Actima" Clamping Device



METRIC
Parts

View from below



Material:

Steel;
housing thermoplastic;
ball knob Duroplast PF 31;
accessories steel.

Type:

Black oxide finish;
housing black;
ball knob red;
accessories black oxide finish.

Part Number Example:

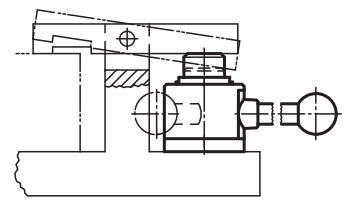
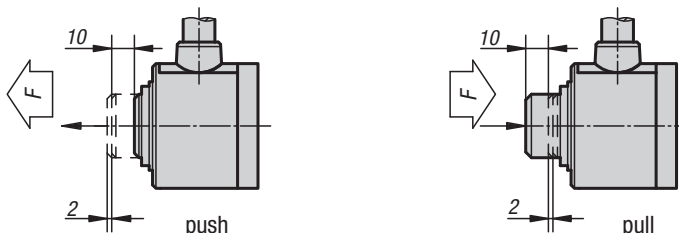
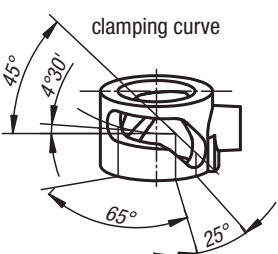
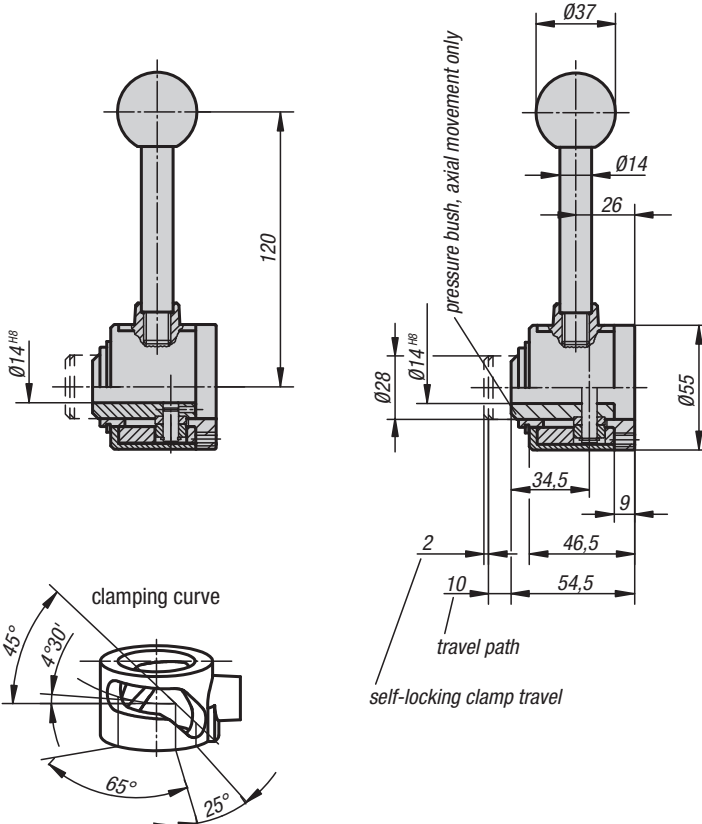
K0020.10

Note:

The travel path is 10 mm. Self-locking occurs in any position within only 2 mm of clamp travel. Thus workpieces with tolerances of up to 1.5 mm can be safely clamped. The "Actima" Clamping Device can be fitted in any horizontal or vertical position. Standard parts allow further applications. They are available as optional accessories. All parts of the cam system subject to heavy loads are case-hardened (pressure sleeve and accessories only if specified). The maximum permissible clamping force is approximately 4905 N.

drilled through

with transverse axis in bore



"Actima" Clamping Device



KIPP "Actima" Clamping Device with transverse axis in the hole, metric

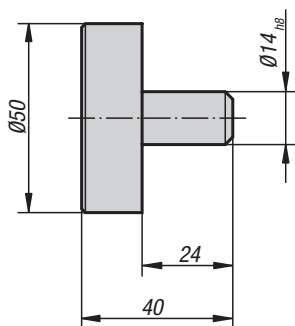
Item No.	Version
K0020.10	right-hand / push
K0020.15	right-hand / pull
K0020.20	left-hand / push
K0020.25	left-hand / pull

KIPP "Actima" Clamping Device with through hole, metric

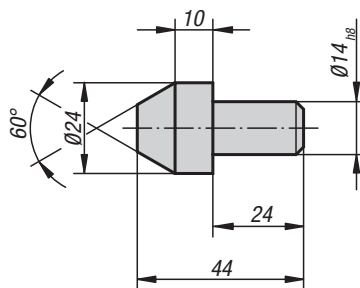
Item No.	Version
K0020.30	right-hand / push
K0020.35	right-hand / pull
K0020.40	left-hand / push
K0020.45	left-hand / pull

KIPP "Actima" Accessories, metric

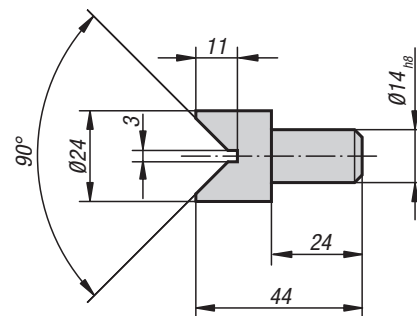
Item No.	Item code
K0020.02	DISK FOR ACTIMA
K0020.03	TAPER FOR ACTIMA
K0020.04	VEE-BLOCK FOR ACTIMA



disc



taper

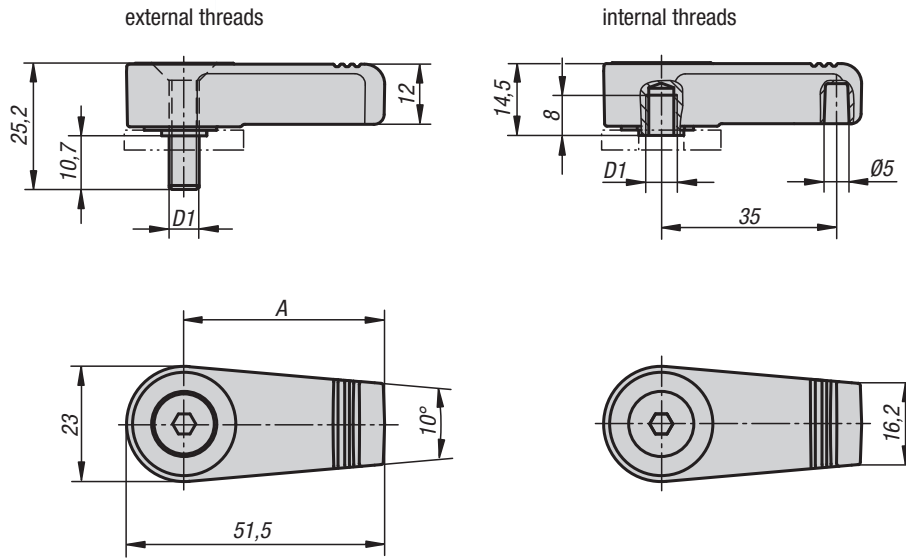


prism

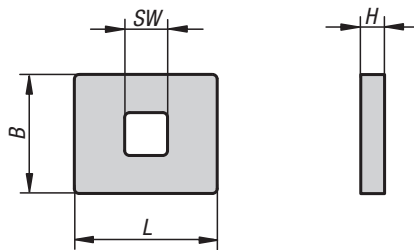
Stop latch

METRIC
Parts

New Item



Profile adapter plate

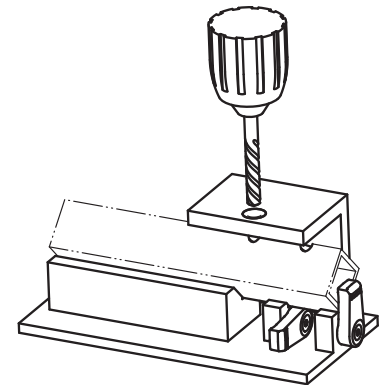


Material:
Housing die-cast zinc, powder-coated.
Pin steel 1.0718.
Washer plastic.
Circlip spring steel.
Countersunk screw steel quality class 8.8.

Type:
Housing black or red.
Pin blue chromate.
Circlip, countersunk screw, black.

Part Number Example:
K0271.140061

Note:
Engagement every 90°.
Please order profile adapter plate separately.
Can be used with external and internal threads.



KIPP Stop latch, metric

Item No.	Color	Version	A	D1
K0271.140061	black	internal thread	40	M6
K0271.140062	red	internal thread	40	M6
K0271.140061X10	black	external thread	40	M6
K0271.140062X10	red	external thread	40	M6

KIPP Profile adapter plate, metric

Item No.	B	H	L	SW
K0271.09302505	25	5	30	9

Notes:

