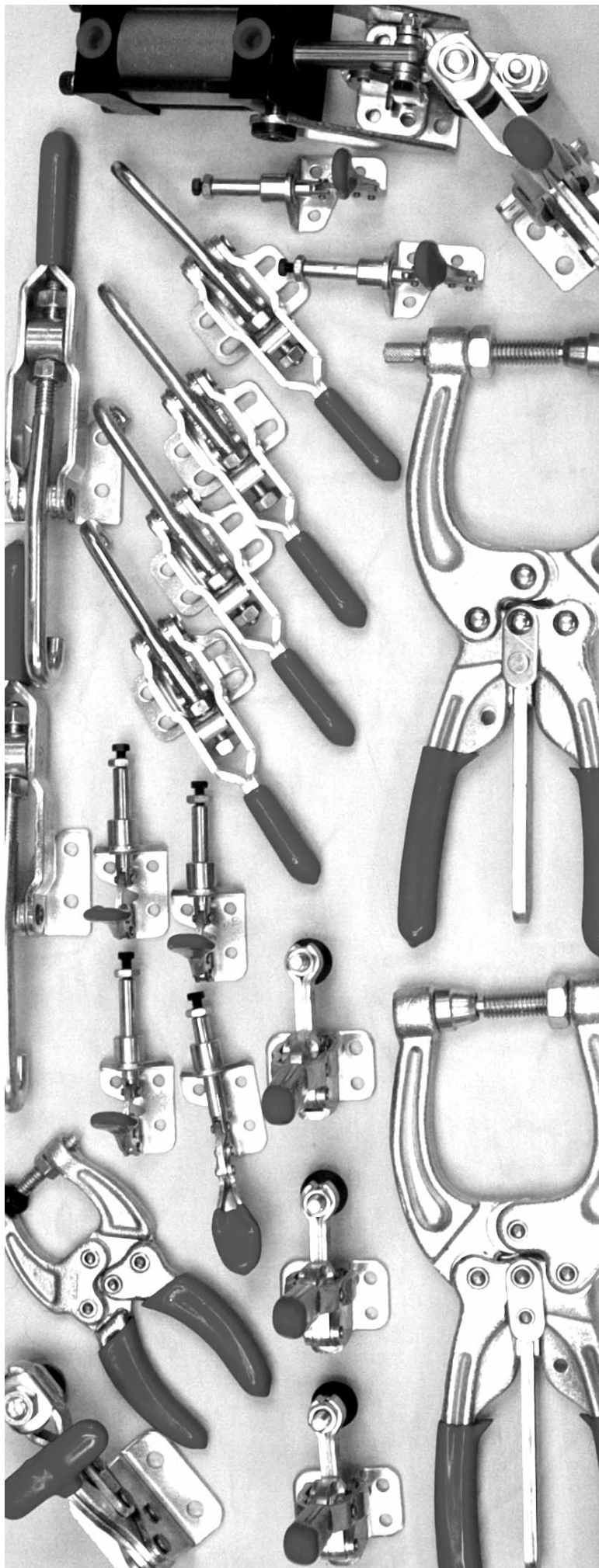


ALL AMERICAN TOGGLE CLAMPS

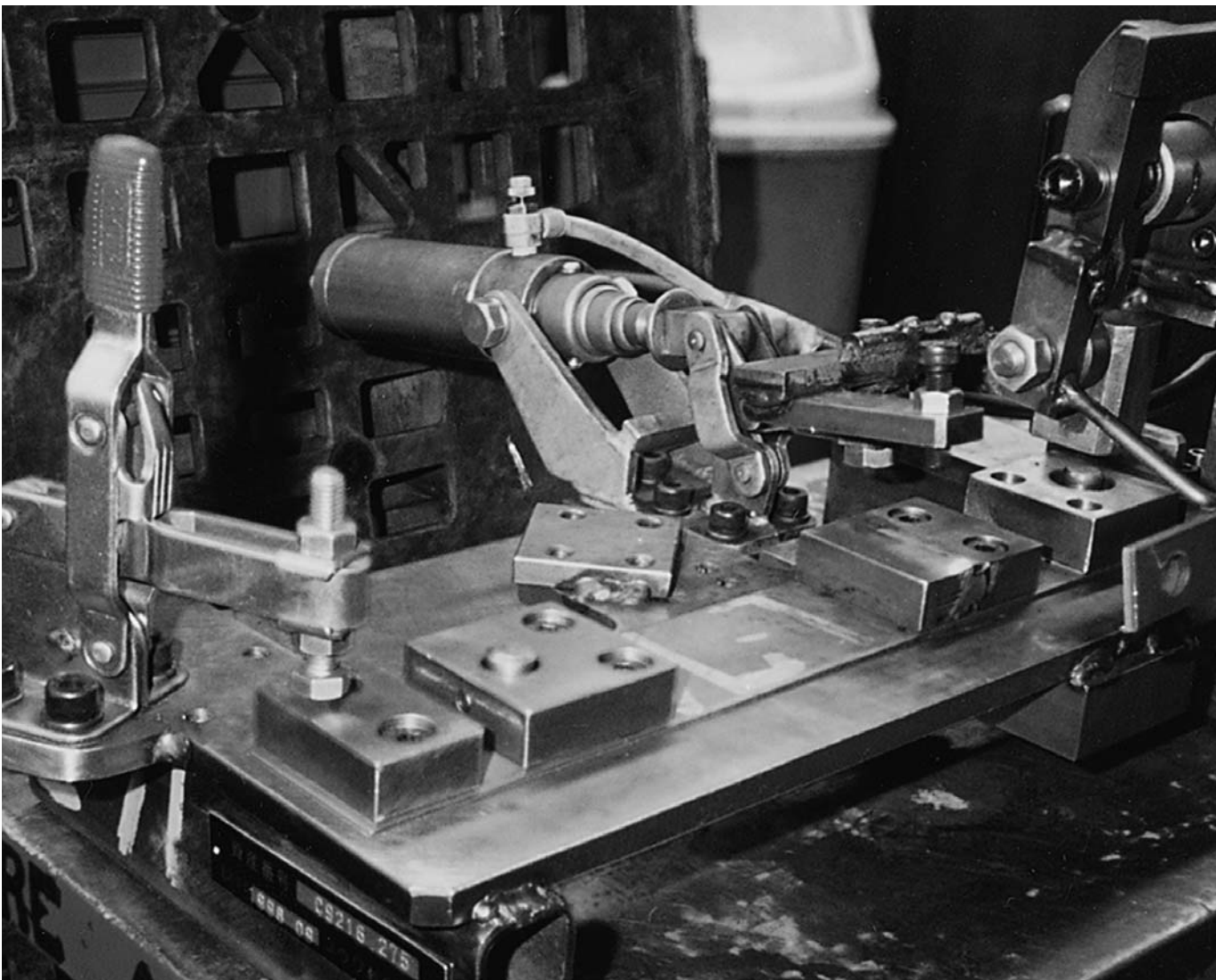


Horizontal Handle Clamps	6.3
Vertical Handle Clamps	6.8
Special Hold Down Clamps	6.18
Latch Type Pull Action Clamps	6.20
Straight Line Action Clamps	6.30
Squeeze Action Clamps	6.42
Vari Clamps	6.46
Air Clamps	6.50
Accessories	6.54
Cross Reference	6.60

TOGGLE CLAMP INFORMATION

CATALOG PART DESCRIPTION CODE INDEX	
CODE	DESCRIPTION
U	U-BAR
S	SOLID BAR
L	LONG ARM
EL	EXTRA LONG
PA	PUSH / PULL ACTION
FA	FASTEN ACTION
TA	TAPPED THREAD
EX	EXTERNAL THREAD
FS	FIXED SPINDLE
SB	STRAIGHT BASE
FB	FLANGE BASE
FM	FLUSH MOUNT
LB	LEFT BASE
RB	RIGHT BASE
SDB	SIDE BASE
WZB	WHITE ZINC OXIDE BASE

CATALOG PART DESCRIPTION CODE INDEX	
CODE	DESCRIPTION
LWB	LOST WAX CAST BASE
AC	AIR CLAMP
SH	STRAIGHT HANDLE
TH	T-HANDLE
2S	STAINLESS STEEL
HD	HEAVY DUTY
RR	RIGHT ROTATION
LR	LEFT ROTATION
RL	RELEASE LOCK
RA	REVERSE ACTION
SA	SQUEEZE ACTION
DC	DRILL CLAMP
SP	SINGLE SPINDLE
DP	DOUBLE SPINDLE
UH	UNCOATED HANDLES
CH	COATED HANDLES

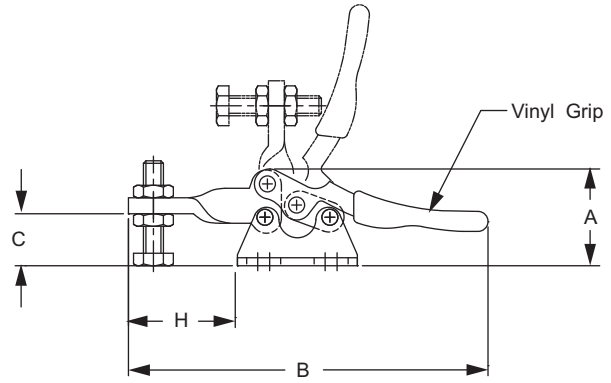
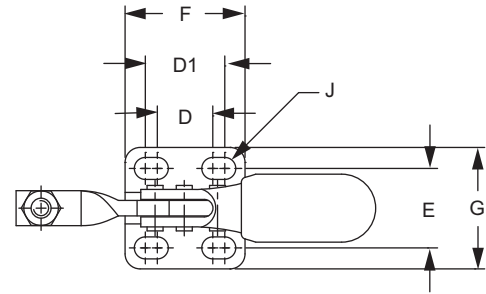


AA TOGGLE CLAMPS

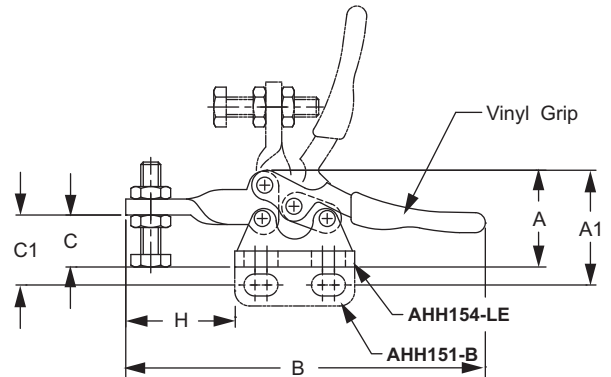
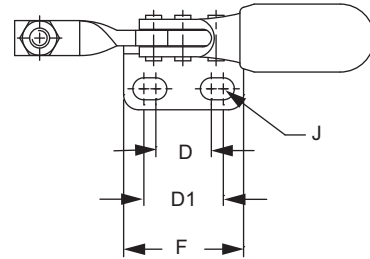
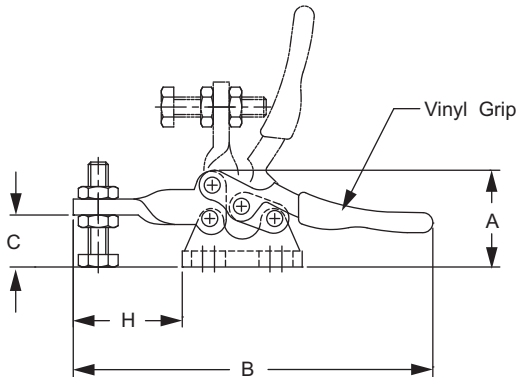
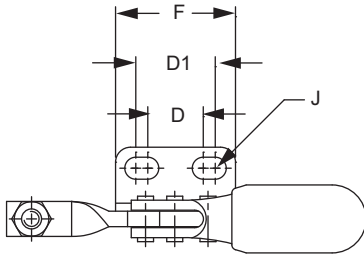
HORIZONTAL HANDLE CLAMPS

These are the smallest of the solid bar horizontal handle toggle clamps and are most useful for use with sheet metals, circuit boards or anywhere where light weight materials or work production is required. The handle of this model has been lengthened for increased leverage and gripping. These parts are available in straight and flanged base versions and right or left side only base option. The stainless steel models are supplied with as stainless steel hex head spindle.

Spindle supplied: 832203 (nylon version)
832203-2SM (stainless steel)
Holding capacity: 60 lbs. Maximum
Movements: Handle 70°, Bar 90°
Weight: .06 lbs



AHH150



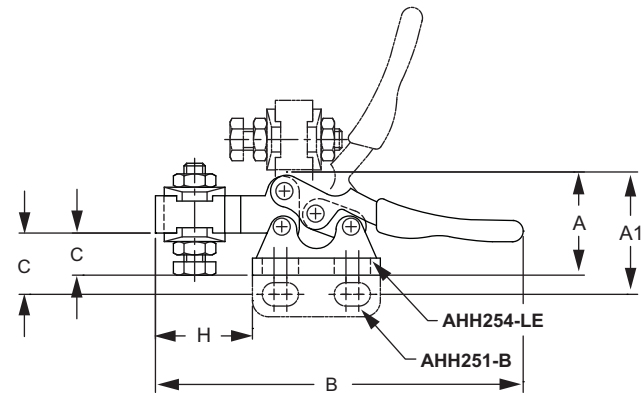
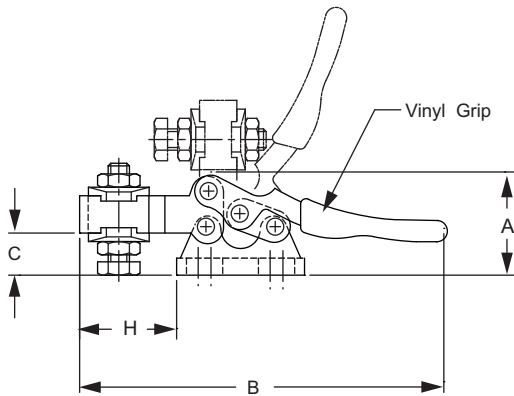
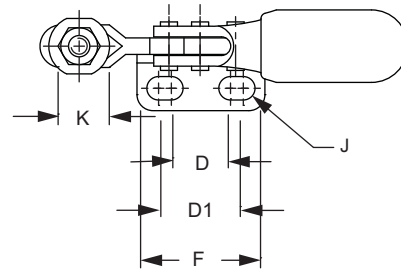
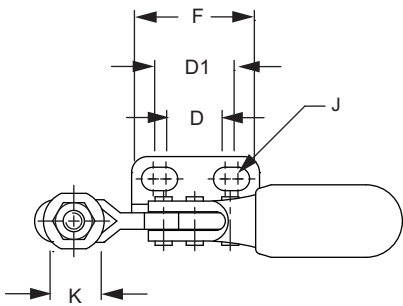
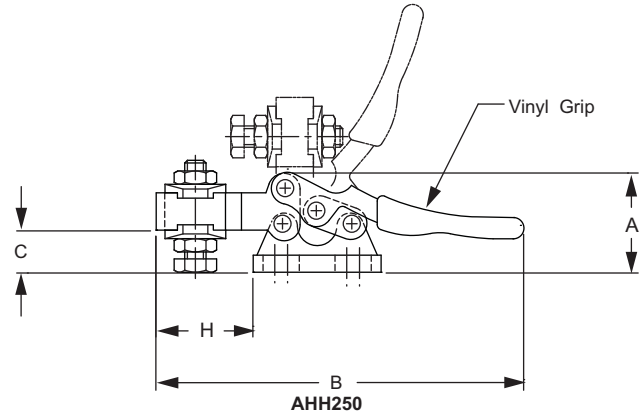
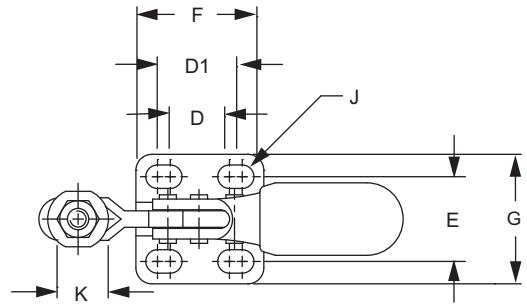
SERIES AHH150

P/N	TYPE	A	A1	B	C	C1	D	D1	E	F	G	H	J-SLOT
AHH150	S, FB	.75	-	2.83	.41	-	.44	.63	.63	.96	.96	.87	.17 x .26
AHH150-2S	S, FB, 2S	.75	-	2.83	.41	-	.44	.63	.63	.96	.96	.87	.17 x .26
AHH151-B	S, SB	-	.90	2.83	-	.55	.44	.63	-	.96	-	.87	.17 x .26
AHH151-B2S	S, SB, 2S	-	.90	2.83	-	.55	.44	.63	-	.96	-	.87	.17 x .26
AHH154-LE	S, FB, LB	.75	-	2.83	.41	-	.44	.63	-	.96	-	.87	.17 x .26
AHH155-R	S, FB, RB	.75	-	2.83	.41	-	.44	.63	-	.96	-	.87	.17 x .26

HORIZONTAL HANDLE CLAMPS

These are the smallest of the U bar horizontal handle toggle clamps. They are most useful when used with sheet metals, circuit boards or anywhere where light weight materials or work production is required. The handle of this model has been lengthened for increased leverage and gripping. These parts are available in straight and flanged base versions and right or left side only base option. The stainless steel models are supplied with a stainless steel hex head spindle.

Spindle supplied: 832203 (nylon version)
832203-2SM (stainless steel)
Holding capacity: 60 lbs. Maximum
Movements: Handle 70°, Bar 90°
Weight: .06 lbs



SERIES AHH250

P/N	TYPE	A	A1	B	C	C1	D	D1	E	F	G	H	J-SLOT
AHH250	U, FB	.75	-	2.72	.31	-	.44	.63	.63	.96	.96	.75	.17 x .26
AHH250-2S	U, FB, 2S	.75	-	2.72	.31	-	.44	.63	.63	.96	.96	.75	.17 x .26
AHH251-B	U, SB	-	.90	2.72	-	.48	.44	.63	-	.96	-	.75	.17 x .26
AHH251-B2S	U, SB, 2S	-	.90	2.72	-	.48	.44	.63	-	.96	-	.75	.17 x .26
AHH254-LE	U, FB, LB	.75	-	2.72	.31	-	.44	.63	-	.96	-	.75	.17 x .26
AHH255-R	U, FB, RB	.75	-	2.72	.31	-	.44	.63	-	.96	-	.75	.17 x .26

AA TOGGLE CLAMPS

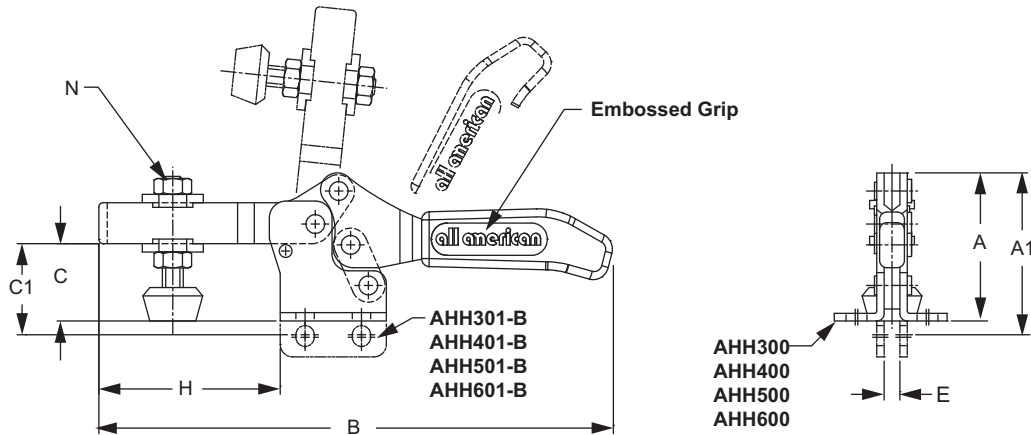
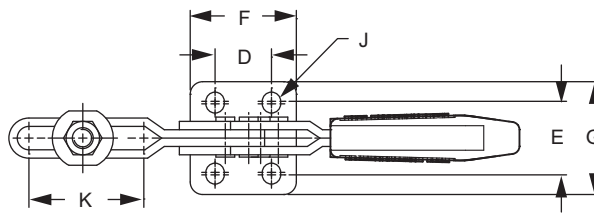
HORIZONTAL HANDLE CLAMPS

These models are offered in four different standard sizes. They are intended to provide more hand clearance when the clamps are in the full open position. Each model is equipped with an embossed handle grip. Stainless steel models are supplied with stainless spindles.

Spindle supplied:

- AHH300 & AHH301-B - 508208 (steel)
- AHH400 & AHH401-B - 420208 (steel)
- AHH500 & AHH501-B - 518208 (steel)
- AHH600 & AHH601-B - 316208 (steel)
- AHH300-2S & AHH301-B2S - 508203-2S (stainless)
- AHH400-2S & AHH401-B2S - 420136-2S (stainless)
- AHH500-2S & AHH501-B2S - 518205-2S (stainless)

Movements: Handle 55°, Bar 96°



SERIES AHH300, AHH400, AHH500, AHH600

P/N	TYPE	A	A1	B	C	C1	D	E	F	G	H	J-SLOT	K	N	HOLDING CAPACITY
AHH300	U, FB	1.40	-	4.65	.73	-	.53	.69	1.00	1.06	1.71	.17 x .20	1.08	10-32	150 lbs
AHH3000-2S	U, FB, 2S	1.40	-	4.65	.73	-	.53	.69	1.00	1.06	1.71	.17 x .20	1.08	10-32	150 lbs
AHH301-B	U, SB	-	1.52	4.65	-	.83	.53	.16	1.00	-	1.71	.17 x .20	1.08	10-32	150 lbs
AHH301-B2S	U, SB, 2S	-	1.52	4.65	-	.83	.53	.16	1.00	-	1.71	.17 x .20	1.08	10-32	150 lbs
AHH400	U, FB	1.94	-	6.80	.94	-	1.02	1.10	1.47	1.52	2.43	.22 x .33	1.57	1/4-20	200 lbs
AHH400-2S	U, FB, 2S	1.94	-	6.80	.94	-	1.02	1.10	1.47	1.52	2.43	.22 x .33	1.57	1/4-20	200 lbs
AHH401-B	U, SB	-	2.18	6.80	-	1.18	1.02	.20	1.47	-	2.43	.22 x .33	1.57	1/4-20	200 lbs
AHH401-B2S	U, SB, 2S	-	2.18	6.80	-	1.18	1.02	.20	1.47	-	2.43	.22 x .33	1.57	1/4-20	200 lbs
AHH500	U, FB	2.43	-	8.12	1.34	-	1.02	1.22	1.57	1.72	2.65	.26 x .36	1.30	5/16-18	500 lbs
AHH500-2S	U, FB, 2S	2.43	-	8.12	1.34	-	1.02	1.22	1.57	1.72	2.65	.26 x .36	1.30	5/16-18	500 lbs
AHH501-B	U, SB	-	2.63	8.12	-	1.54	1.02	.25	1.57	-	2.65	.26 x .36	1.30	5/16-18	500 lbs
AHH501-B2S	U, SB, 2S	-	2.63	8.12	-	1.54	1.02	.25	1.57	-	2.65	.26 x .36	1.30	5/16-18	500 lbs
AHH600	U, FB	3.18	-	11.50	1.75	-	1.61	1.69	2.24	2.28	4.06	.31 x .39	2.76	3/8-16	750 lbs
AHH601-B	U, SB	-	3.52	11.50	-	2.11	1.61	.31	2.24	-	4.06	.31 x .39	2.76	3/8-16	750 lbs

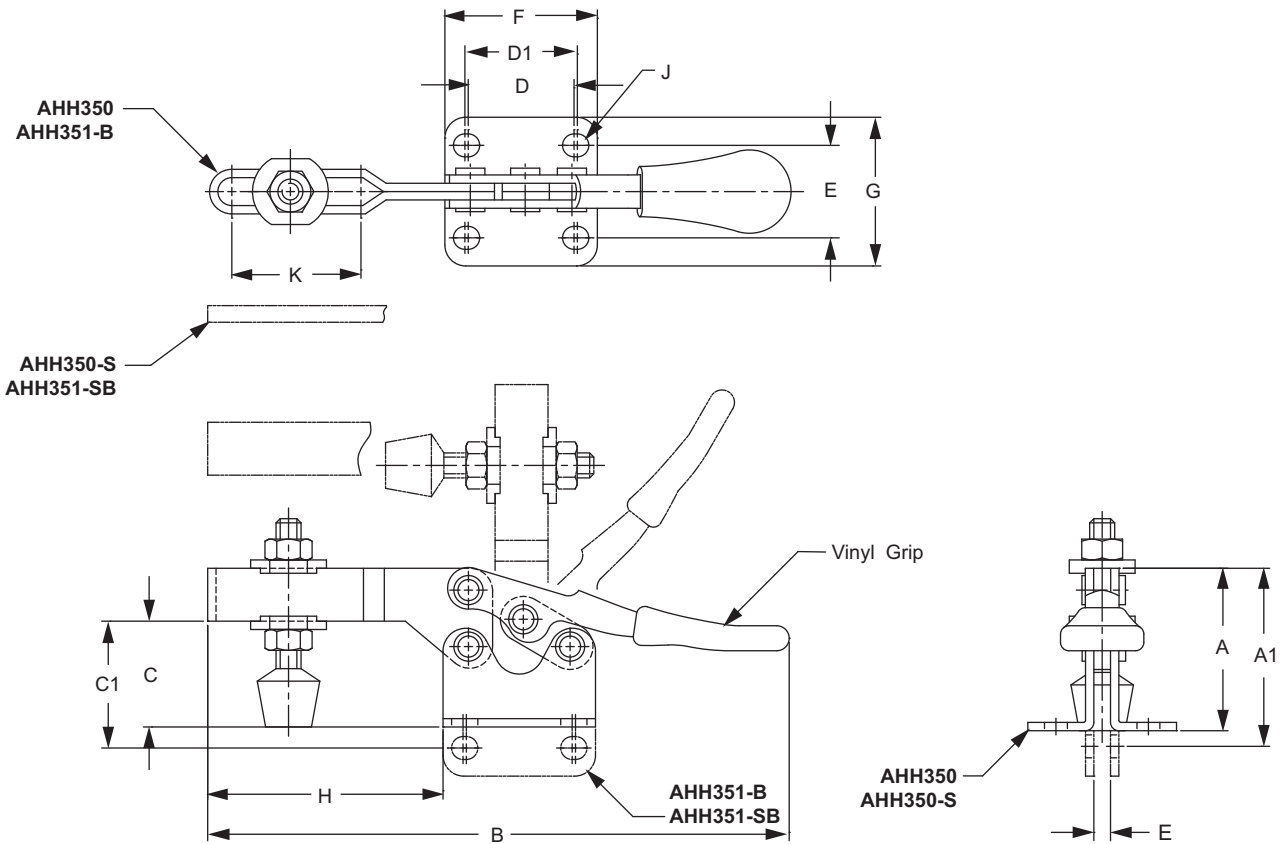
AA TOGGLE CLAMPS

HORIZONTAL HANDLE CLAMPS

This low profile, medium duty horizontal clamp has two different bar styles, adjustable and fixed. The solid bar version is equipped with a bolt retainer. A red vinyl handle grip is supplied for handle comfort. These parts are available in straight and flanged base versions. The stainless steel models are provided with stainless steel hex head spindle assemblies.



Spindle supplied: 420208 (steel)
420136-2S (stainless steel)
Holding capacity: 200 lbs. Maximum
Movements: Handle 60°, Bar 90°
Weight: .28 lbs



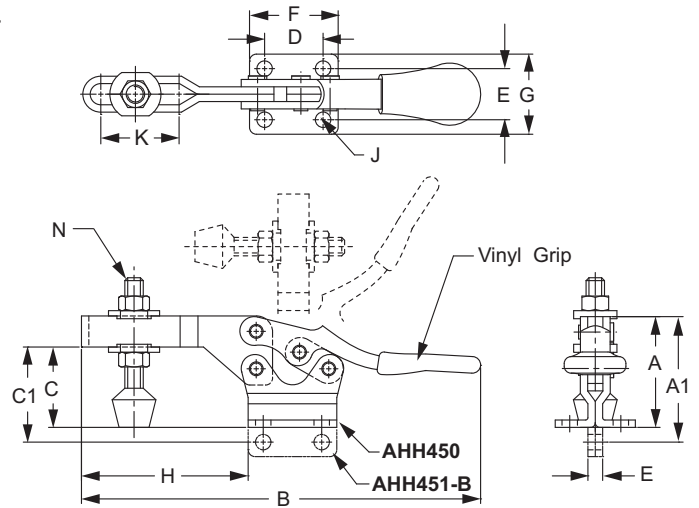
SERIES AHH350, AHH350-S

P/N	TYPE	A	A1	B	C	C1	D	D1	E	F	G	H	J-SLOT	K
AHH350	U, FB	1.50	-	5.50	1.00	-	1.00	1.06	.87	1.44	1.41	2.22	.20 x .24	1.22
AHH350-2S	U, FB, 2S	1.50	-	5.50	1.00	-	1.00	1.06	.87	1.44	1.41	2.22	.20 x .24	1.22
AHH351-B	U, SB	-	1.70	5.50	-	1.20	1.00	1.06	.16	1.44	-	2.22	.20 x .24	1.22
AHH351-B2S	U, SB, 2S	-	1.70	5.50	-	1.20	1.00	1.06	.16	1.44	-	2.22	.20 x .24	1.22
AHH350-S	S, FB	1.50	-	5.50	1.00	-	1.00	1.06	.87	1.44	1.41	2.22	.20 x .24	-
AHH351-SB	S, SB	-	1.70	5.50	-	1.20	1.00	1.06	.16	1.44	-	2.22	.20 x .24	-

HORIZONTAL HANDLE CLAMPS

These low profile horizontal clamps are similar to model AHH350, except with stronger hold down capacity. Their base is specifically designed for great rigidity.

Spindle supplied: 518208 (steel)
518205-2S (stainless steel)
Holding capacity: 529 lbs. Maximum
Movements: Handle 60°, Bar 90°

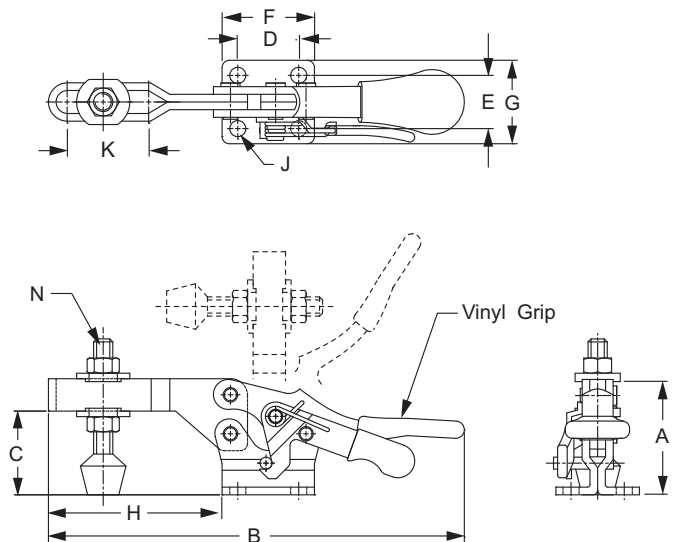


SERIES AHH450														
P/N	TYPE	A	A1	B	C	C1	D	E	F	G	H	J	K	N
AHH450	U, FB	1.91	-	6.83	1.37	-	1.00	.87	1.52	1.37	2.85	.26	1.34	5/16-18
AHH450-2S	U, FB, 2S	1.91	-	6.83	1.37	-	1.00	.87	1.52	1.37	2.85	.26	1.34	5/16-18
AHH451-B	U, SB	-	2.16	6.83	-	1.63	1.00	.25	1.52	-	2.85	.26	1.34	5/16-18
AHH451-B2S	U, SB, 2S	-	2.16	6.83	-	1.63	1.00	.25	1.52	-	2.85	.26	1.34	5/16-18

This low profile horizontal clamp is similar to model AHH450 but has the addition of a release lock to hold the clamp in place. Their base is specifically designed for great rigidity.

RELEASE-LOCK

Spindle supplied: 518208
Holding capacity: 529 lbs. Maximum
Movements: Handle 60°, Bar 90°

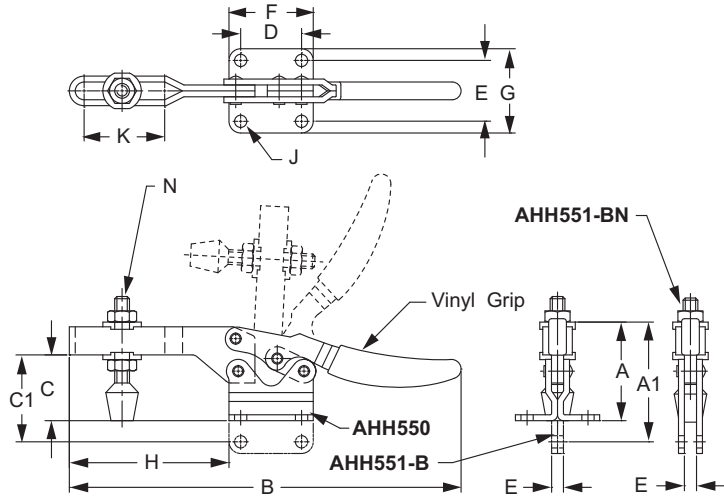


SERIES AHH450-RL													
P/N	TYPE	A	B	C	D	E	F	G	H	J	K	N	
AHH450-RL	U, FB, RL	1.91	6.83	1.37	1.00	.87	1.52	1.37	2.85	.26	1.34	5/16-18	

HORIZONTAL HANDLE CLAMPS

This is a heavy version of the low profile series of horizontal clamps. They feature an exceptionally long reach of over three inches. These models are available in straight and flanged base versions.

Spindle supplied: 316208
 Holding capacity: 750 lbs. Maximum
 Movements: Handle 65°, Bar 93°

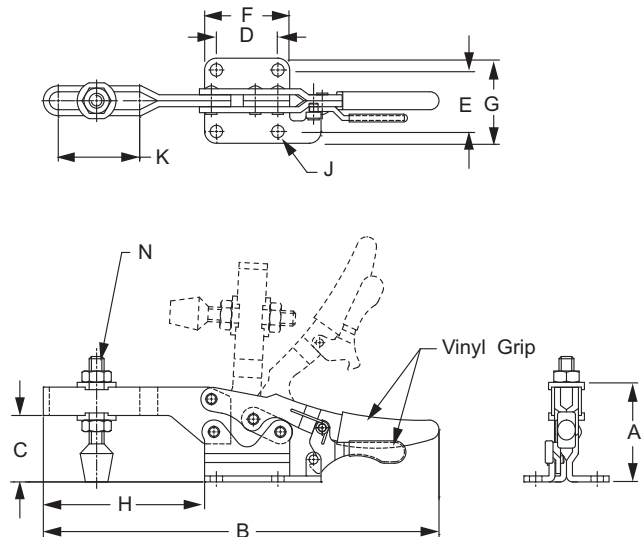


SERIES AHH550														
P/N	TYPE	A	A1	B	C	C1	D	E	F	G	H	J	K	N
AHH550	U, FB	2.50	-	10.43	1.75	-	1.62	1.62	2.25	2.25	4.25	.33	2.15	3/8-16
AHH551-B	U, SB	-	3.06	10.43	-	2.31	1.62	.31	2.25	-	4.25	.33	2.15	3/8-16
AHH551-BN	U, SB	-	3.09	10.43	-	2.33	1.62	.31	2.25	-	4.25	.33	2.15	3/8-16

This clamp is similar to model AHH550 but has the addition of a release lock to hold the clamp in place.

RELEASE-LOCK

Spindle supplied: 316208
 Holding capacity: 750 lbs. Maximum
 Movements: Handle 65°, Bar 93°



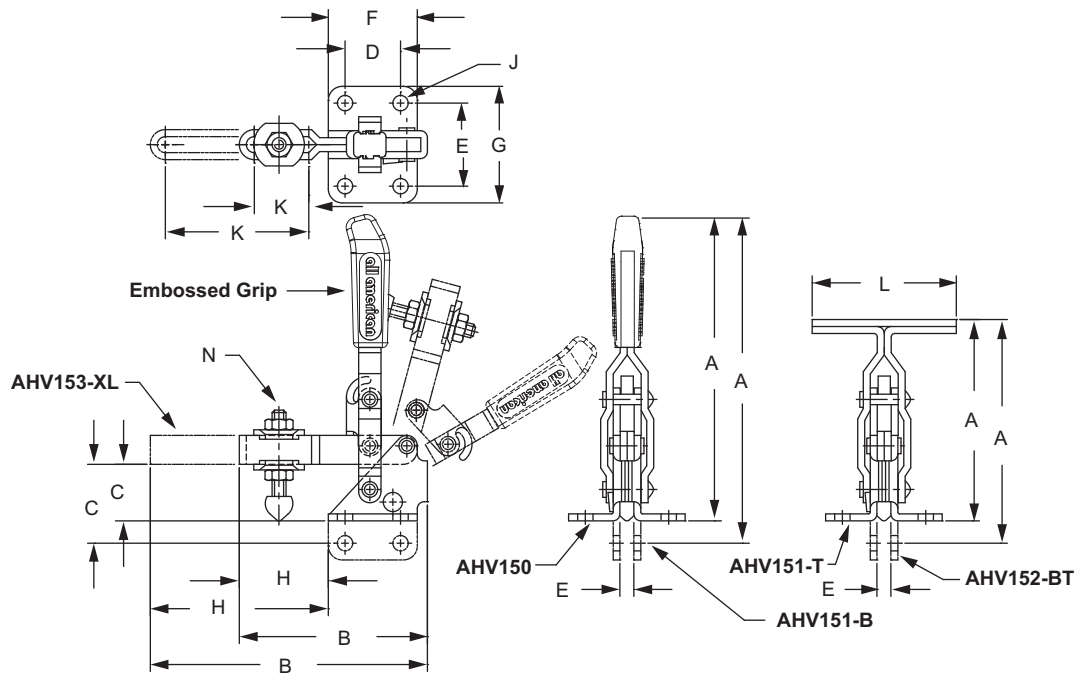
SERIES AHH550-RL													
P/N	TYPE	A	B	C	D	E	F	G	H	J	K	N	
AHH550-RL	U, FB, RL	2.50	10.43	1.75	1.62	1.62	2.25	2.25	4.25	.33	2.15	3/8-16	

AA TOGGLE CLAMPS

VERTICAL HANDLE CLAMPS

These are the smallest of the vertical handle toggle clamps. The U shaped hold down bar provides a selection of spindle positions. This model is ideal for light duty applications. Embossed handle grips are provided except for the T-bar model.

Spindle supplied: 832208
 Holding capacity: 100 lbs. Maximum
 60 lbs. Maximum on AHV153-LX
 Movements: Handle 105°, Bar 60°

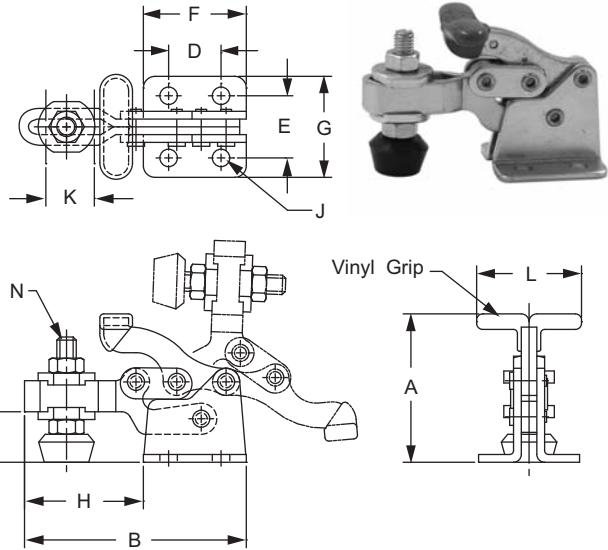


SERIES AHV150

P/N	TYPE	A	A1	B	C	C1	D	E	F	G	H	J	K	L	N
AHV150	U, FB, SH	3.36	-	2.12	.63	-	.63	.94	1.00	1.31	1.00	.17	.61	-	8-32
AHV150-2S	U, FB, SH, 2S	3.36	-	2.12	.63	-	.63	.94	1.00	1.31	1.00	.17	.61	-	8-32
AHV-151-B	U, SB, SH	-	3.62	2.12	-	.89	.63	.16	1.00	-	1.00	.17	.61	-	8-32
AHV-151-B2S	U, SB, SH, 2S	-	3.62	2.12	-	.89	.63	.16	1.00	-	1.00	.17	.61	-	8-32
AHV151-BT	U, SB, TH	-	2.52	2.12	-	.89	.63	.16	1.00	-	1.00	.17	.61	1.81	8-32
AHV152-T	U, FB, TH	2.27	-	2.12	.63	-	.63	.94	1.00	1.31	1.00	.17	.61	1.81	8-32
AHV153-XL	U, HS, EL	3.36	-	3.13	.63	-	.63	.94	1.00	1.31	2.00	.17	1.65	-	8-32

VERTICAL HANDLE CLAMPS

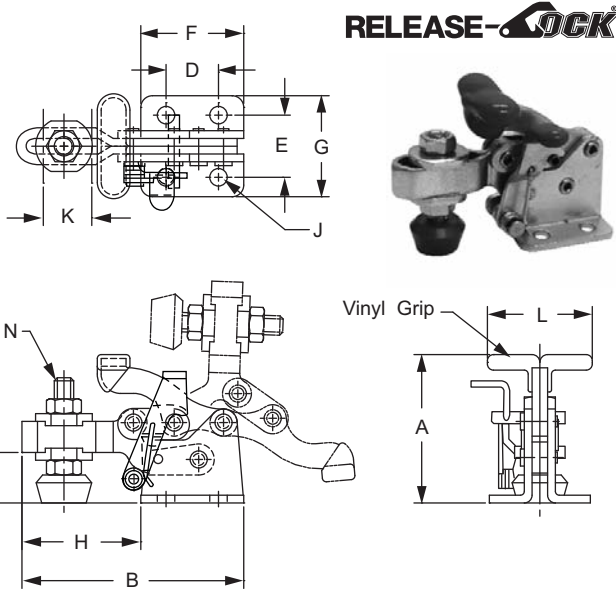
This low profile model is one of a kind in toggle clamps design. Its unique handle can be operated from either side or from behind. This model provides considerable holding capacity considering its size, and is ideal for circuit board work and other light duty applications. The width of the handle is 1/4" wider than similar clamps on the market, which makes for better gripping.



Spindle supplied: AHV200 - 508208
 AHV300 - 825208
 AHV400 - 105208
 Movements: Handle 175°, Bar 92°

SERIES AHV200														
P/N	TYPE	A	B	C	D	E	F	G	H	J	K	L	N	HOLDING CAPACITY
AHV200	U, FB	1.57	2.25	.59	.53	.63	1.04	1.02	1.20	.18	.50	1.06	10-32	150 lbs
AHV200-2S	U, FB, 2S	1.57	2.25	.59	.53	.63	1.04	1.02	1.20	.18	.50	1.06	10-32	150 lbs
AHV300	U, FB	2.46	3.68	.87	.91	1.14	1.73	1.81	1.95	.26	.75	1.97	15/16-18	330 lbs
AHV300-2S	U, FB, 2S	2.46	3.68	.87	.91	1.14	1.73	1.81	1.95	.26	.75	1.97	15/16-18	330 lbs
AHV400	U, FB	3.68	5.14	1.30	1.38	1.50	2.52	2.48	2.62	.33	1.06	2.76	3/8-16	750 lbs
AHV400-2S	U, FB, 2S	3.68	5.14	1.30	1.38	1.50	2.52	2.48	2.62	.33	1.06	2.76	3/8-16	750 lbs

This model is similar to model AHV200 but has the addition of a release lock to hold the clamp in place. This model provides considerable holding capacity considering its size, and is ideal for circuit board work and other light duty applications. The width of the handle is 1/4" wider than similar clamps on the market, which makes for better gripping.



Spindle supplied: AHV200-RL - 508208
 AHV300-RL - 825208
 AHV400-RL - 105208
 Movements: Handle 175°, Bar 92°

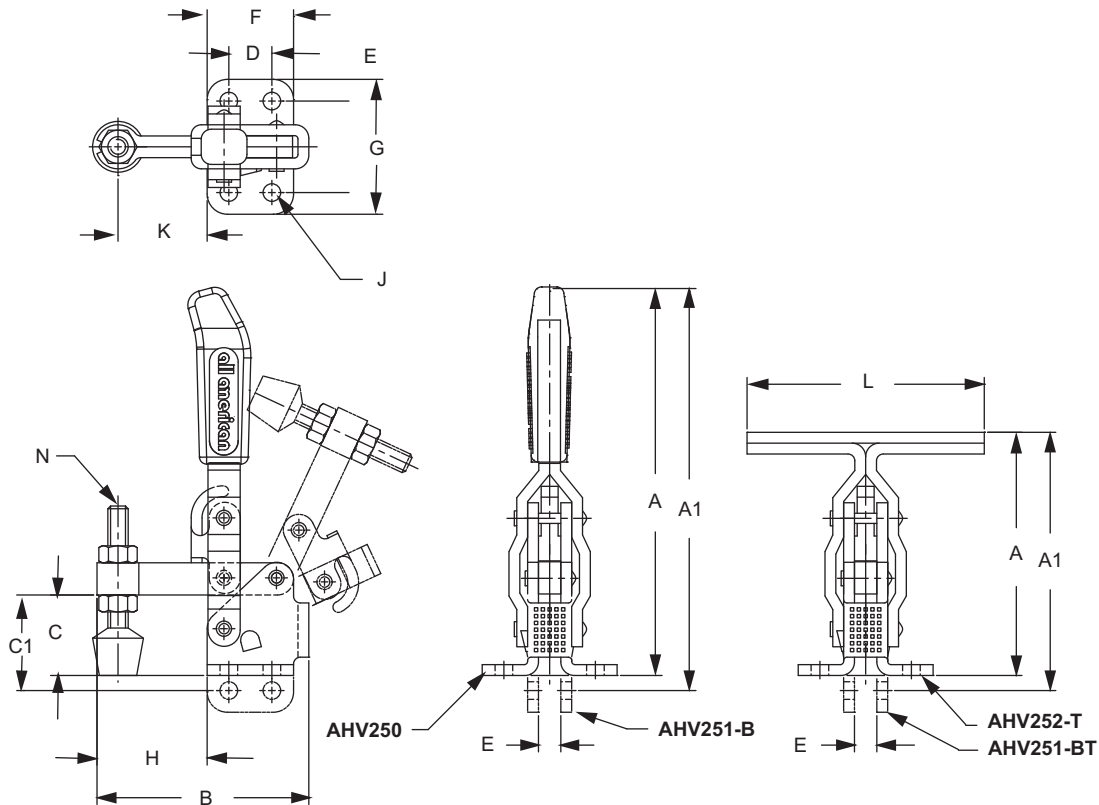
SERIES AHV200-RL														
P/N	TYPE	A	B	C	D	E	F	G	H	J	K	L	N	HOLDING CAPACITY
AHV200-RL	U, FB, RL	1.57	2.25	.59	.53	.63	1.04	1.02	1.20	.18	.50	1.06	10-32	150 lbs
AHV300-RL	U, FB, RL	2.46	3.68	.87	.91	1.14	1.73	1.81	1.95	.26	.75	1.97	5/16-18	330 lbs
AHV400-RL	U, FB, RL	3.68	5.14	1.30	1.38	1.50	2.52	2.48	2.62	.33	1.06	2.76	3/8-16	750 lbs

AA TOGGLE CLAMPS

VERTICAL HANDLE CLAMPS

This model is similar to model AHV150, but offers twice the holding capacity. The hold-down bar is designed to accept the spindle assembly in a fixed position located at the end of the bar. Embossed handle grips are provided except for the T-bar model. Stainless steel models are supplied with stainless steel spindles.

Spindle supplied: 420208 (steel)
420136-2S (stainless steel)
Holding capacity: 200 lbs. Maximum
Movements: Handle 65°, Bar 115°

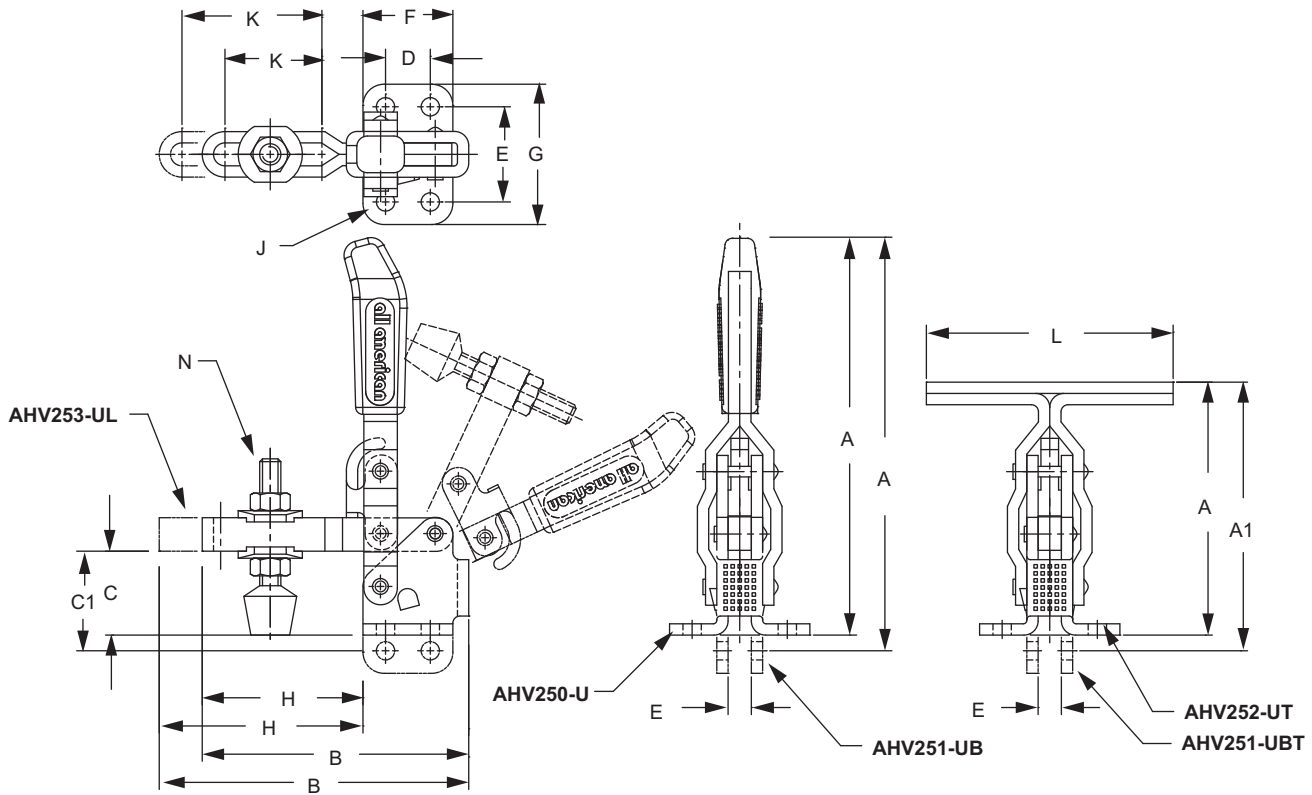


SERIES AHV250															
P/N	TYPE	A	A1	B	C	C1	D	E	F	G	H	J	K	L	N
AHV250	FS, FB, SH	4.36	-	2.46	.94	-	.50	1.06	1.00	1.57	1.28	.20	1.04	-	1/4-20
AHV250-2S	FS, FB, SH, 2S	4.36	-	2.46	.94	-	.50	1.06	1.00	1.57	1.28	.20	1.04	-	1/4-20
AHV251-B	FS, SB, SH	-	4.54	2.46	-	1.12	.50	.25	1.00	-	1.28	.20	1.04	-	1/4-20
AHV251-B2S	FS, SB, SH, 2S	-	4.54	2.46	-	1.12	.50	.25	1.00	-	1.28	.20	1.04	-	1/4-20
AHV251-BT	FS, SB, TH	-	3.00	-	-	1.12	.50	.25	1.00	-	1.28	.20	1.04	2.76	1/4-20
AHV252-T	FS, FB, TH	2.82	-	2.46	.94	-	.50	1.06	1.00	1.57	1.28	.20	1.04	2.76	1/4-20

VERTICAL HANDLE CLAMPS

This model is similar to model AHV250 but with an adjustable spindle position. Embossed handle grips are provided except for the T-bar model. Stainless steel models are supplied with a stainless steel hex head spindle.

Spindle supplied: 420208 (steel)
420136-2S (stainless steel)
Movements: Handle 65°, Bar 115°

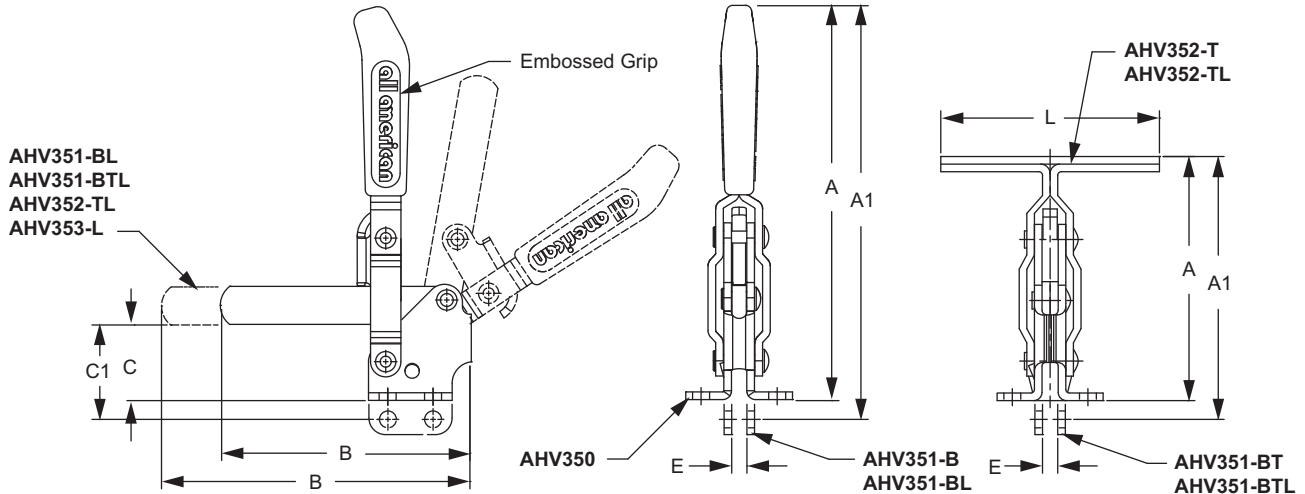
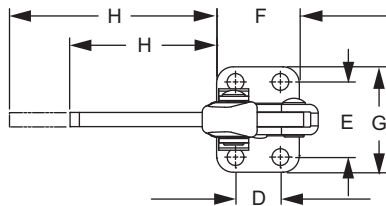


SERIES AHV250-U																
P/N	TYPE	A	A1	B	C	C1	D	E	F	G	H	J	K	L	N	HOLDING CAPACITY
AHV250-U	U, FB, SH	4.36	-	2.98	.94	-	.50	1.06	1.00	1.57	1.80	.20	1.08	-	1/4-20	200 lbs
AHV250-U2S	U, FB, SH, 2S	4.36	-	2.98	.94	-	.50	1.06	1.00	1.57	1.80	.20	1.08	-	1/4-20	200 lbs
AHV251-UB	U, SB, SH	-	4.54	2.98	-	1.12	.50	.25	1.00	-	1.80	.20	1.08	-	1/4-20	200 lbs
AHV251-UBT	U, SB, TH	-	3.00	2.98	-	1.12	.50	.25	1.00	-	1.80	.20	1.08	2.76	1/4-20	200 lbs
AHV252-UT	U, FB, TH	2.82	-	2.98	.94	-	.50	1.06	1.00	1.57	1.80	.20	1.08	2.76	1/4-20	200 lbs
AHV253-UL	U, FB, SH, L	4.36	-	3.46	.94	-	.50	1.06	1.00	1.57	2.28	.20	1.56	-	1/4-20	200 lbs
AHV253-UL2S	U, FB, SH, L, 2S	4.36	-	3.46	.94	-	.50	1.06	1.00	1.57	2.28	.20	1.56	-	1/4-20	110 lbs

VERTICAL HANDLE CLAMPS

This model is the most popular models in the vertical series. It offers the largest selection of features to meet most applications. The solid bar version is furnished with a bolt retainer.

Spindle supplied: 518208
Movements: Handle 56°, Bar 100°

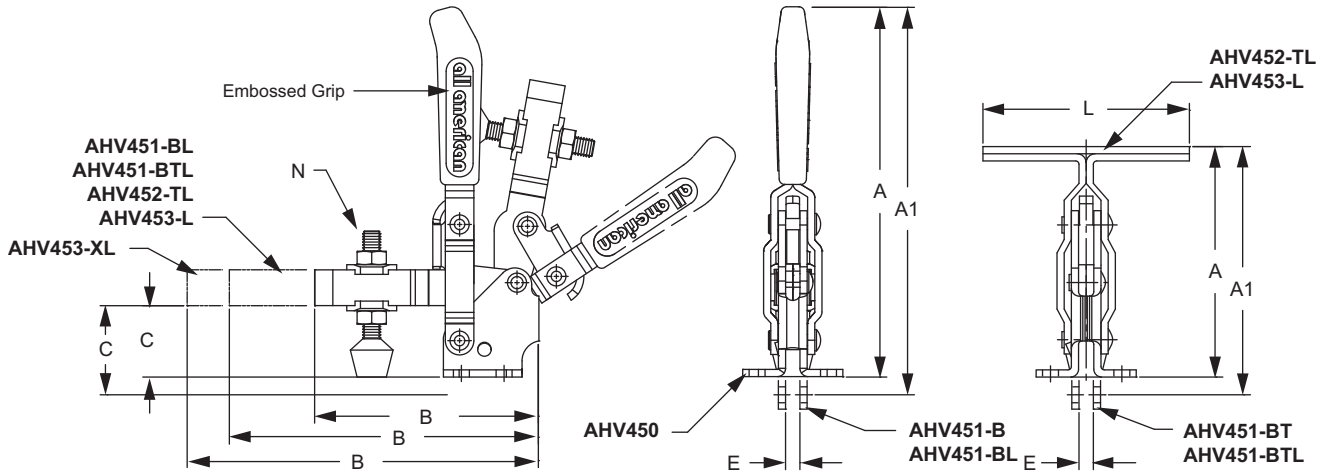
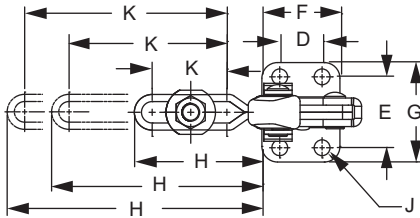


SERIES AHV350															
P/N	TYPE	A	A1	B	C	C1	D	E	F	G	H	J	L	SPINDLE TH'D	HOLDING CAPACITY
AHV350	S, FB, SH	6.48	-	4.13	1.25	-	.75	1.25	1.38	1.76	2.44	.28	-	5/16-18	496 lbs
AHV351-B	S, SB, SH	-	6.80	4.13	-	1.56	.75	.25	1.38	-	2.44	.28	-	5/16-18	496 lbs
AHV351-BT	S, SB, TH	-	4.31	4.13	-	1.56	.75	.25	1.38	-	2.44	.28	3.62	5/16-18	496 lbs
AHV351-BL	L, S, SB, SH	-	6.80	5.13	-	1.56	.75	.25	1.38	-	3.44	.28	-	5/16-18	245 lbs
AHV351-BTL	L, S, SB, TH	-	4.31	5.13	-	1.56	.75	.25	1.38	-	3.44	.28	3.62	5/16-18	245 lbs
AHV352-T	S, FB, TH	4.00	-	4.13	1.25	-	.75	1.25	1.38	1.76	2.44	.28	3.62	5/16-18	496 lbs
AHV352-TL	L, S, FB, TH	4.00	-	5.13	1.25	-	.75	1.25	1.38	1.76	3.44	.28	3.62	5/16-18	245 lbs
AHV353-L	L, S, FB, SH	6.48	-	5.13	1.25	-	.75	1.25	1.38	1.76	3.44	.28	-	5/16-18	245 lbs

VERTICAL HANDLE CLAMPS

This model is similar to model AHV350 but features an u-bar. It offers the largest selection of features to meet most applications. This U-bar version is furnished with spindle assemblies and flange washers. The stainless steel version is supplied with a stainless steel hex head spindle.

Spindle supplied: 518208 (steel)
518205-2S (stainless steel)
Movements: Handle 58°, Bar 100°



SERIES AHV450

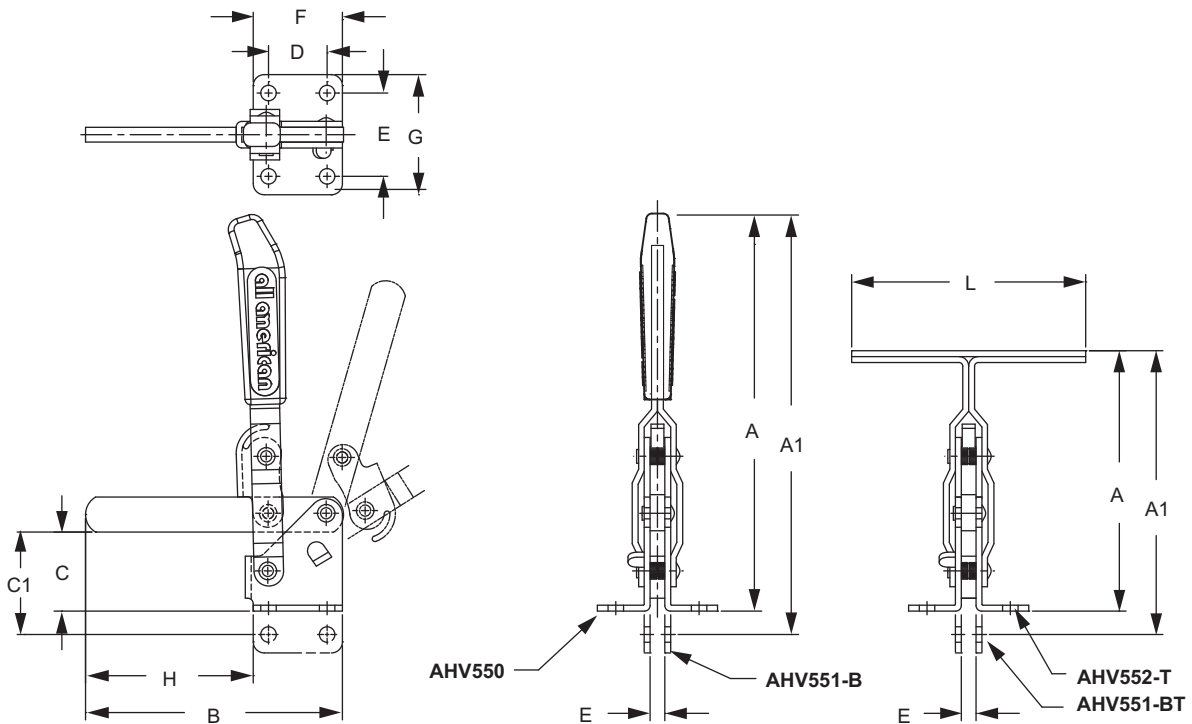
P/N	TYPE	A	A1	B	C	C1	D	E	F	G	H	J	K	L	N	HOLDING CAPACITY
AHV450	U, FB, SH	6.48	-	3.93	1.25	-	.75	1.25	1.38	1.76	2.25	.28	1.32	-	5/16-18	496 lbs
AHV450-2S	U, FB, SH, 2S	6.48	-	3.93	1.25	-	.75	1.25	1.38	1.76	2.25	.28	1.32	-	5/16-18	496 lbs
AHV451-B	U, SB, SH	-	6.80	3.93	-	1.56	.75	.25	1.38	-	2.25	.28	1.32	-	5/16-18	496 lbs
AHV451-B2S	U, SB, SH, 2S	-	6.80	3.93	-	1.56	.75	.25	1.38	-	2.25	.28	1.32	-	5/16-18	496 lbs
AHV451-BT	U, SB, TH	-	4.31	3.93	-	1.56	.75	.25	1.38	-	2.25	.28	1.32	3.62	5/16-18	496 lbs
AHV451-BL	L, U, SB, SH	-	6.80	5.42	-	1.56	.75	.25	1.38	-	2.25	.28	1.32	-	5/16-18	496 lbs
AHV451-BTL	L, U, SB, TH	-	4.31	5.42	-	1.56	.75	.25	1.38	-	3.75	.28	2.80	3.62	5/16-18	220 lbs
AHV452-T	U, FB, TH	4.00	-	3.93	1.25	-	.75	1.25	1.38	1.76	2.25	.28	1.32	3.62	5/16-18	496 lbs
AHV452-TL	L, U, FB, TH	4.00	-	5.42	1.25	-	.75	1.25	1.38	1.76	3.75	.28	2.80	3.62	5/16-18	220 lbs
AHV453-L	L, U, FB, SH	6.48	-	5.42	1.25	-	.75	1.25	1.38	1.76	3.75	.28	2.80	-	5/16-18	220 lbs
AHV453-XL	L, U, FB, SH	6.48	-	6.16	1.25	-	.75	1.25	1.38	1.76	4.49	.28	3.54	-	5/16-18	176 lbs

AA TOGGLE CLAMPS

VERTICAL HANDLE CLAMPS

This model series is ideal for many applications due to its size and outside holding capacity. The hold-down bar will accept all 3/8" spindles. All solid bar models are supplied with bolt retainers. The bushings and removable ground pins are case hardened.

Spindle Supplied: 316208
 Holding capacity: 750 lbs. Maximum
 Movements: Handle 58°, Bar 105°

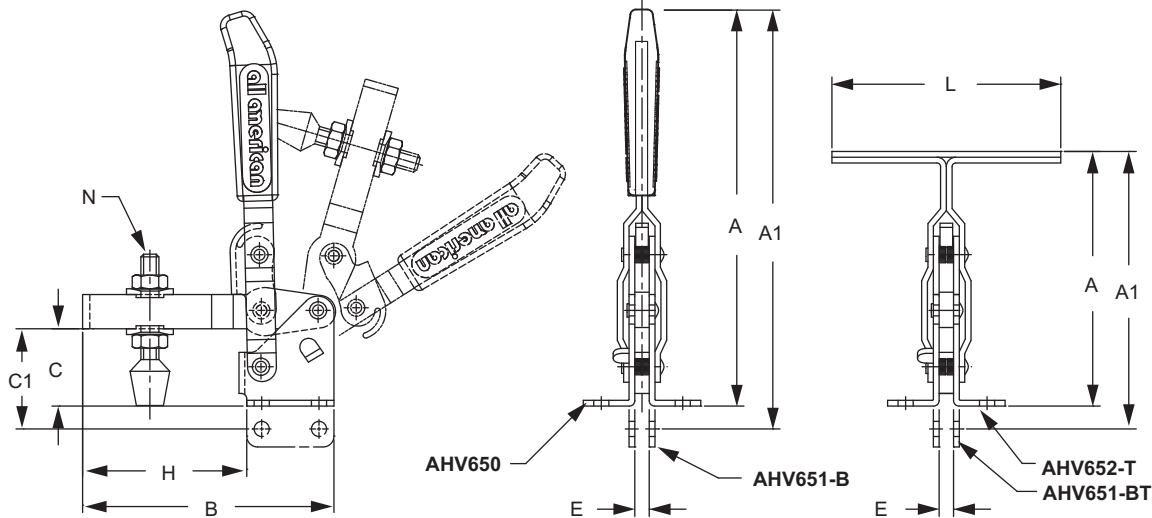
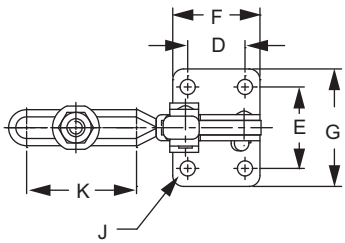


SERIES AHV550														
P/N	TYPE	A	A1	B	C	C1	D	E	F	G	H	J	L	SPINDLE TH'D
AHV550	S, FB, SH	8.30	-	5.49	1.69	-	1.25	1.78	1.91	2.57	3.58	.33	-	3/8-16
AHV551-B	S, SB, SH	-	8.81	5.49	-	2.19	1.25	.31	1.91	-	3.58	.33	-	3/8-16
AHV551-BT	S, SB, TH	-	6.06	5.49	-	2.19	1.25	.31	1.91	-	3.58	.33	5.00	3/8-16
AHV552-T	S, FB, TH	5.55	-	5.49	1.69	-	1.25	1.78	1.91	2.57	3.58	.33	5.00	3/8-16

VERTICAL HANDLE CLAMPS

This model series is like the AHV550 series but with a U-bar. They are ideal for many applications due to its size and outside holding capacity. The hold-down bar will accept all 3/8" spindles. The U-bar models are supplied with flanged washers. The bushings and removable ground pins are case hardened.

Spindle Supplied: 316208
 Holding capacity: 750 lbs. Maximum
 Movements: Handle 58°, Bar 106°



SERIES AHV650

P/N	TYPE	A	A1	B	C	C1	D	E	F	G	H	J	K	L	N
AHV650	U, FB. SH	8.30	-	5.49	1.69	-	1.25	1.78	1.91	2.57	3.58	.33	2.40	-	3/8-16
AHV651-B	U, SB. SH	-	8.81	5.49	-	2.19	1.25	.31	1.91	-	3.58	.33	2.40	-	3/8-16
AHV651-BT	U, SB. TH	-	6.06	5.49	-	2.19	1.25	.31	1.91	-	3.58	.33	2.40	5.00	3/8-16
AHV652-T	U, FB. TH	5.55	-	5.49	1.69	-	1.25	1.78	1.91	2.57	3.58	.33	2.40	5.00	3/8-16

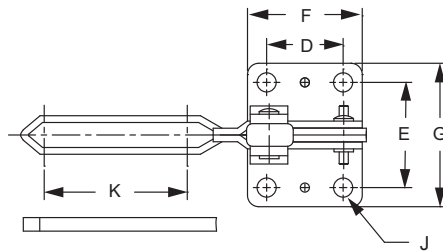
AA TOGGLE CLAMPS

VERTICAL HANDLE CLAMPS

These heavy duty models have many features such as super smooth movement and a hole with a roll pin which provides the user with a choice of handle or bar movement. A bolt retainer is furnished with the solid bar models, and flange washers are furnished with the U bar models. The hold-down bar will accept 5/8" spindles. Spindles can be ordered separately.

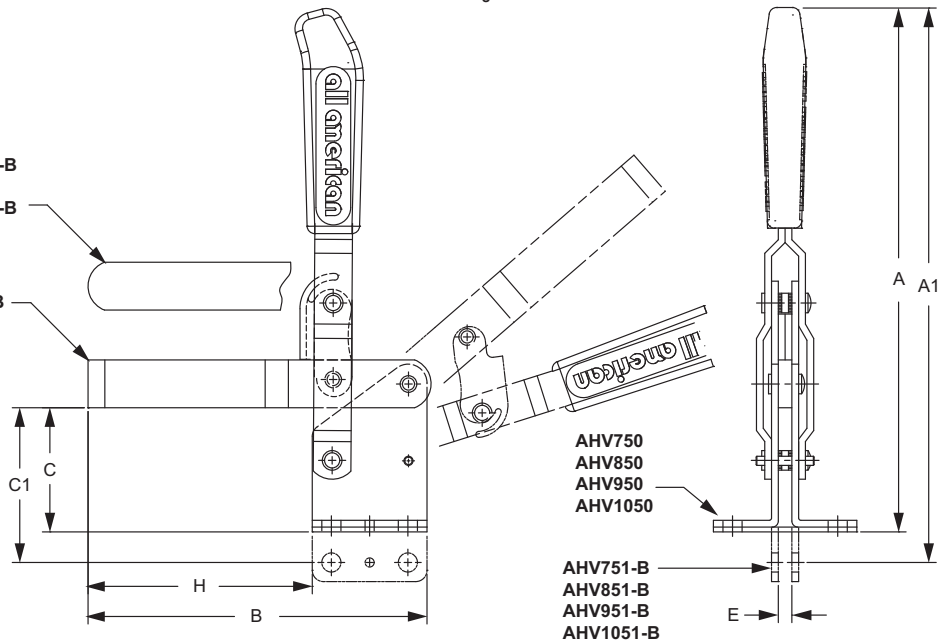
AHV750-850:
Holding capacity: 1,000 lbs. Maximum
Movements: Handle 67°, Bar 120°

AHV950-1050:
Holding capacity: 1,200 lbs. Maximum
Movements: Handle 70°, Bar 140°



AHV750
AHV751-B
AHV950
AHV951-B

AHV850
AHV851-B
AHV1050
AHV1051-B



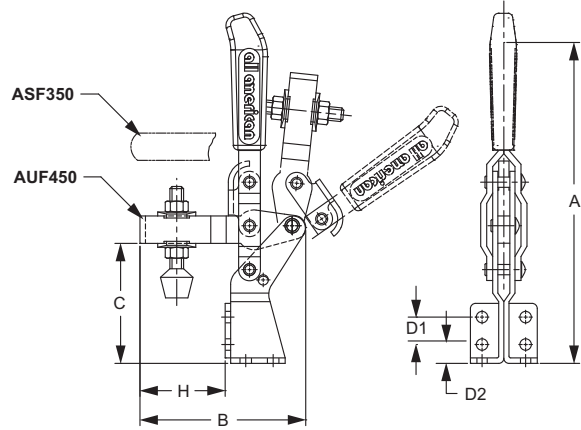
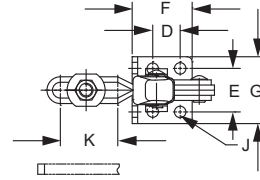
SERIES AHV750, AHV850, AHV950, AHV1050

P/N	TYPE	A	A1	B	C	C1	D	E	F	G	H	J	K
AHV750	S, FB, SH	9.33	-	7.00	2.00	-	1.25	1.78	2.00	2.53	5.00	.34	-
AHV750-B	S, SB, SH	-	9.56	7.00	-	2.22	1.25	.35	2.00	-	5.00	.34	-
AHV850	U, FB, SH	9.33	-	7.00	2.00	-	1.25	1.78	2.00	2.53	5.00	.34	3.23
AHV850-B	U, SB, SH	-	9.56	7.00	-	2.22	1.25	.35	2.00	-	5.00	.34	3.23
AHV950	S, FB, SH	12.65	-	8.87	3.25	-	2.00	2.75	3.00	3.74	5.87	.50	-
AHV951-B	S, SB, SH	-	13.44	8.87	-	4.04	2.00	.35	3.00	-	5.87	.50	-
AHV1050	U, FB, SH	12.65	-	8.87	3.25	-	2.00	2.75	3.00	3.74	5.87	.50	3.74
AHV1051-B	U, SB, SH	-	13.44	8.87	-	4.04	2.00	.35	3.00	-	5.87	.50	3.74

SPECIAL HOLD DOWN CLAMPS

These models have vertical handles and are designed for mounting on the horizontal or the vertical side. These toggle clamps allow users to mount the clamp on the side of the table or fixtures to save precious work surface for other uses. This model includes embossed handles.

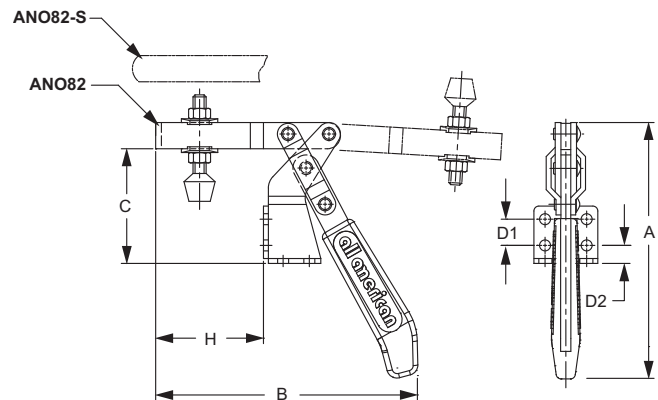
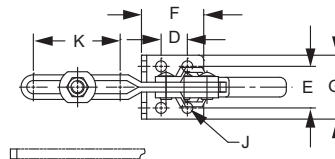
Spindle supplied: 518208
Holding capacity: 374 lbs. Maximum
Movement: Handle 55°, bar 96°



SERIES ASF350, AUF450													
P/N	TYPE	A	B	C	D	D1	D2	E	F	G	H	J	K
ASF350	S, SDB	8.00	4.06	2.76	.63	.63	.43	1.00	1.38	1.54	2.17	.26	-
AUF450	U, SDB, L	8.00	3.81	2.76	.63	.63	.43	1.00	1.38	1.54	1.96	.26	1.32

This model has an embossed handle and is designed with two mounting areas, horizontal and side. Side mounted toggle clamps allow users to mount the clamp on the side of the table or fixture to save precious work surface for other uses.

Spindle supplied: 518208
Holding capacity: 220 lbs. Maximum
Movement: Handle 60°, Bar 185°



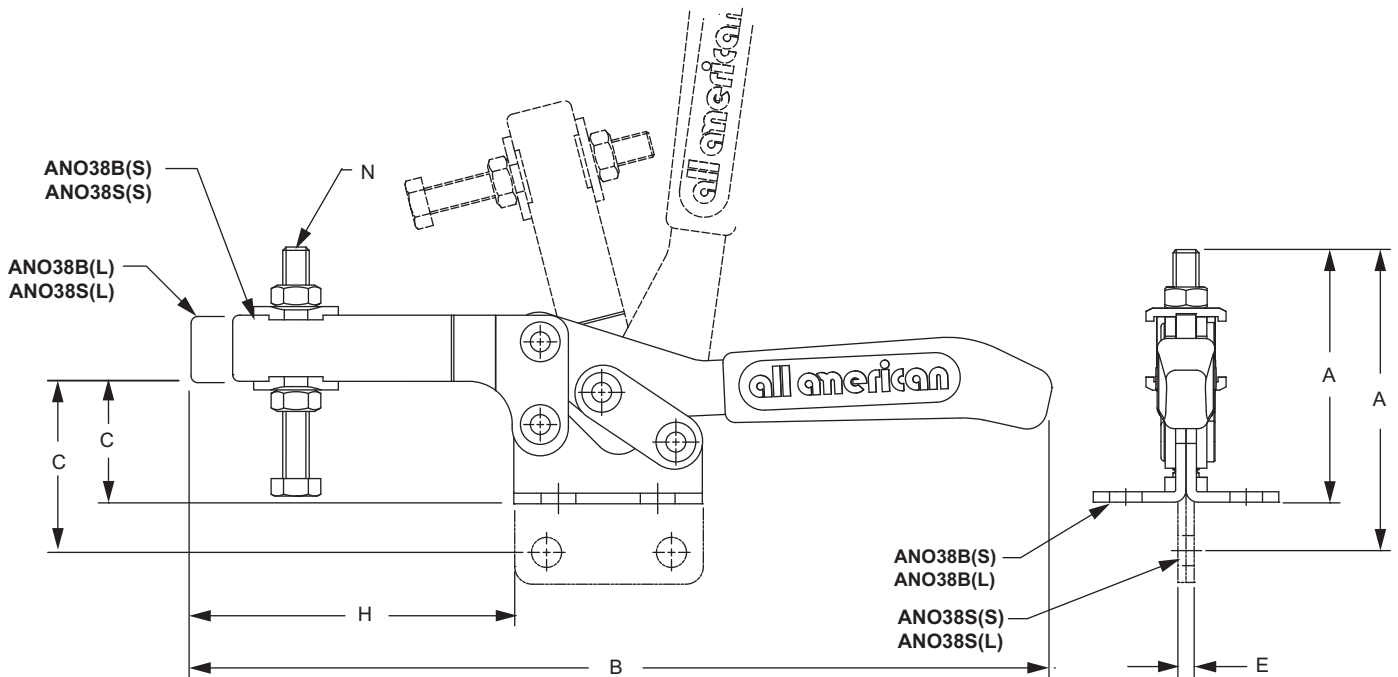
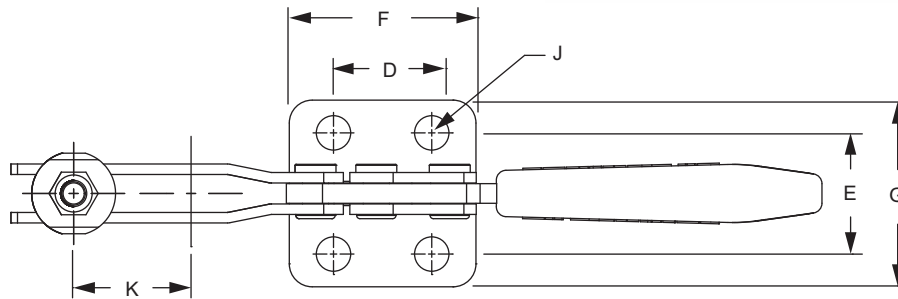
SERIES ANO82, ANO82-S													
P/N	TYPE	A	B	C	D	D1	D2	E	F	G	H	J	K
ANO82	U, SDB	5.94	6.18	2.76	.63	.63	.43	1.00	1.38	1.54	2.59	.26	1.97
ANO82-S	S, SDB, L	5.94	6.74	2.76	.63	.63	.43	1.00	1.38	1.54	3.15	.26	-

AA TOGGLE CLAMPS

SPECIAL HOLD DOWN CLAMPS

These special hold down models are equipped with embossed handle grips for secure holding purposes. These models are furnished with hex head spindle assembly and two flange washers. They are available in large and small models.

Spindle Supplied: 420125 (small)
518207 (large)
Holding capacity: 550 lbs. Maximum (small)
620 lbs. Maximum (large)
Movements: Handle 70°, Bar 75° (small)
Movements: Handle 80°, Bar 75° (large)



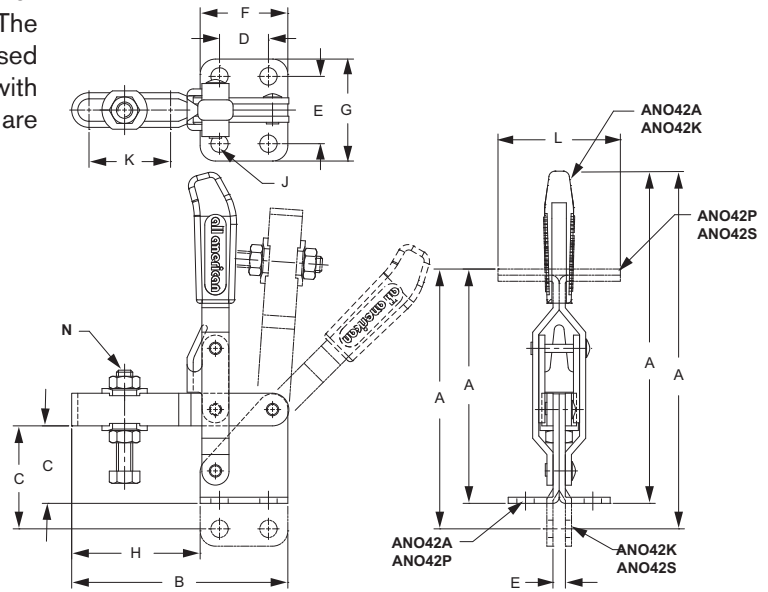
SERIES ANO38B(S), ANO38B(L)

P/N	TYPE	A	A1	B	C	C1	D	E	F	G	H	J	K	N
ANO38B(S)	U, FB	1.57	-	6.58	.94	-	.94	1.34	1.65	2.05	1.70	.33	1.00	1/4-20
ANO38S(S)	U, SB	-	2.11	6.58	-	1.50	.94	.18	1.65	-	1.70	.33	1.00	1/4-20
ANO38B(L)	L, U, FB	2.28	-	9.75	1.46	-	1.18	1.46	2.24	2.24	3.35	.41	2.17	5/16-18
ANO38S(L)	L, U, SB	-	2.76	9.75	-	1.97	1.18	.25	2.24	-	3.35	.41	2.17	5/16-18

SPECIAL HOLD DOWN CLAMPS

These special vertical handle clamps are furnished with hex head spindle assembly and two flange washers. The ANO42A and ANO42K models included with an embossed grip. The ANO42P and ANO42S models are designed with T-handles without grips. The stainless steel models are furnished with stainless steel spindles.

Spindle Supplied: 518205 (steel)
518205-2S (stainless steel)
Holding capacity: 330 lbs. Maximum
Movements: Handle 54°, Bar 94°

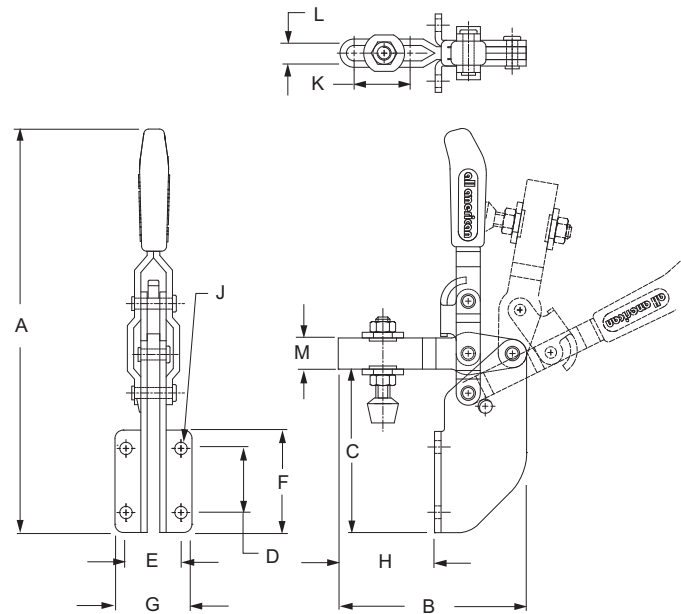


SERIES ANO42A, ANO42K, ANO42P, ANO42S

P/N	TYPE	A	A1	B	C	C1	D	E	F	G	H	J	K	L	N
ANO42A	U, FB, SH	5.96	-	4.17	1.50	-	.94	1.30	1.69	1.97	2.48	.33	1.57	-	5/16-18
ANO42A-2S	U, FB, SH, 2S	5.96	-	4.17	1.50	-	.94	1.30	1.69	1.97	2.48	.33	1.57	-	5/16-18
ANO42K	U, SB, SH	-	6.45	4.17	-	1.99	.94	.24	1.69	-	2.48	.33	1.57	-	5/16-18
ANO42K-2S	U, SB, SH, 2S	-	6.45	4.17	-	1.99	.94	.24	1.69	-	2.48	.33	1.57	-	5/16-18
ANO42P	U, FB, TH	4.52	-	4.17	1.50	-	.94	1.30	1.69	1.97	2.48	.33	1.57	2.36	5/16-18
ANO42S	U, SB, TH	-	5.02	4.17	-	1.99	.94	.24	1.69	-	2.48	.33	1.57	2.36	5/16-18

This model has a vertical handle and is designed for side mounting. Side mounted toggle clamps allow users to mount the clamp on the side of the table or fixture to save precious work surface for other uses. This model includes embossed handles.

Spindle supplied: 508208
Holding capacity: 198 lbs. Maximum
Movement: Handle 64°, Bar 100°



SERIES AHV450-F

P/N	TYPE	A	B	C	D	E	F	G	H	K	J	L	M
AHV270-F	U, SDB	5.93	2.62	.89	.55	.79	.98	1.10	1.34	.79	.18	.22	.43

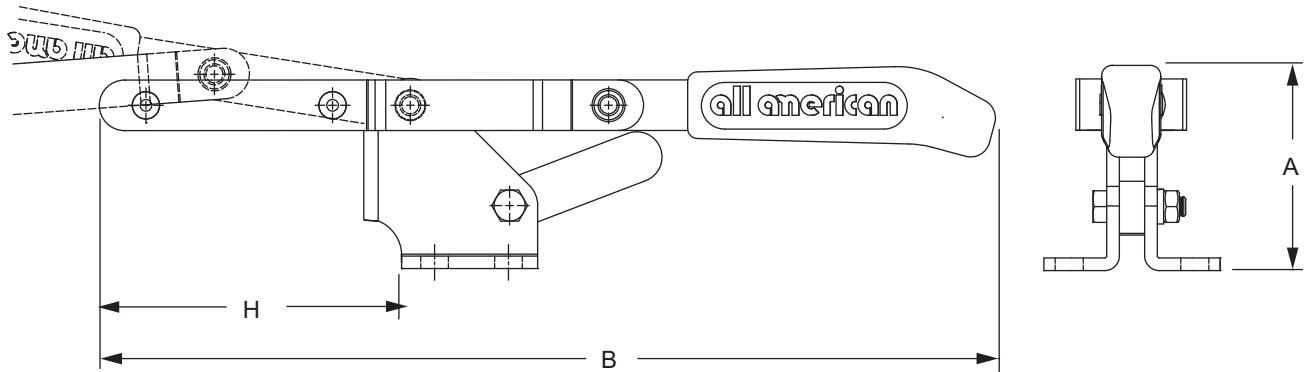
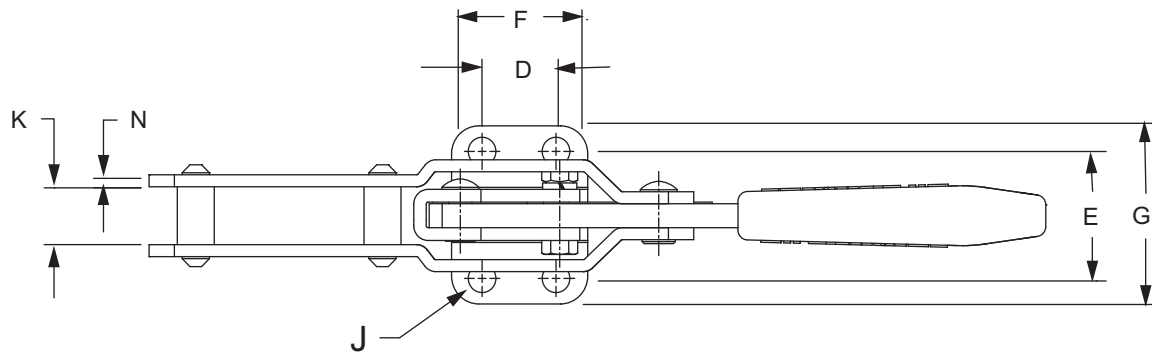


LATCH TYPE PULL ACTION CLAMPS

Our latch type pull action clamp has an improved adjustable stopper which eliminates finger crimping and sets for handle travel. An embossed handle is included. The latch plate is to be ordered separately.

Holding capacity: 375 lbs. Maximum on APA150
1200 lbs. Maximum on APA170

Drawing Movement: 4.00 on APA150
3.33 on APA170

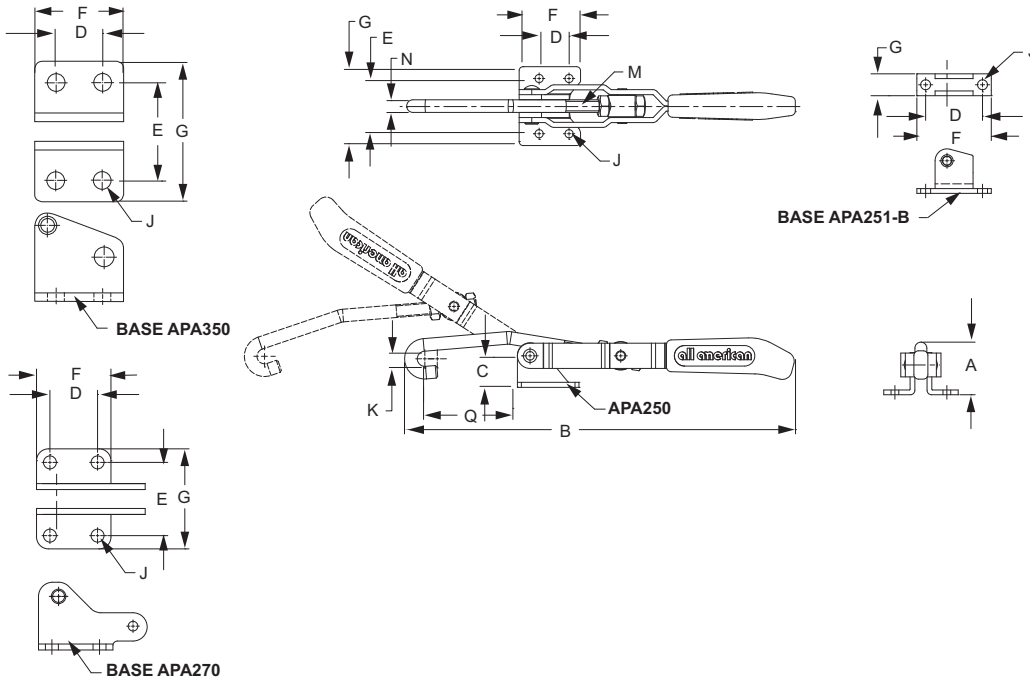


SERIES APA150											
P/N	TYPE	A	B	D	E	F	G	H	J	K	N
APA150	PA	2.05	9.07	.75	1.25	1.38	1.77	3.07	.28	.56	.13
APA170	PA	2.60	10.54	1.26	1.78	1.89	2.53	3.15	.33	.56	.13

LATCH TYPE PULL ACTION CLAMPS

This clamp is most commonly used for the closing and sealing of lids or covers on both stationary and rotating vessels, drums and pressure containers. The pull bar is threaded for easy adjustment up to 5/16" for maximum pull. An embossed handle grip is provided for handle comfort.

- Holding capacity: 242 lbs. Maximum on APA50
 375 lbs. Maximum on APA250
 375 lbs. Maximum on APA251-B
 750 lbs. Maximum on APA270
 990 lbs. Maximum on APA350
- Drawing movement: 2.76" on APA50
 4.00" on APA250
 4.00" on APA251-B
 5.37" on APA270
 6.13" on APA350



SERIES APA50, APA250, APA270, APA350

P/N	TYPE	A	B	C	D	E	F	G	J	K	M	N	Q-MIN	Q-MAX
APA50	PA	.94	6.31	.57	.50	1.22	1.02	1.65	.20 x .35	.31	1/4-20	.23	1.60	1.85
APA50-2S	PA, 2S	.94	6.31	.57	.50	1.22	1.02	1.65	.20 x .35	.31	1/4-20	.23	1.60	1.85
APA250	PA	1.39	9.72	.79	.75	1.38	1.54	1.97	.20	.37	5/16-18	.31	2.05	2.36
APA250-2S	PA, 2S	1.39	9.72	.79	.75	1.38	1.54	1.97	.20	.37	5/16-18	.31	2.05	2.36
APA251-B	PA	1.46	9.72	1.50	.75	-	1.97	.58	.20	.37	5/16-18	.31	1.57	1.88
APA251-B2S	PA, 2S	1.46	9.72	1.50	.75	-	1.97	.58	.20	.37	5/16-18	.31	1.57	1.88
APA270	PA	2.23	12.83	1.42	1.26	1.94	1.97	2.65	.34	.50	3/8-16	.37	2.84	3.53
APA350	PA	2.69	14.96	1.81	1.12	2.36	2.13	3.39	.41	.63	1/2-13	.50	2.35	3.10
120002	HOOK ONLY FOR APA50										-	-	-	-
120002-2S	HOOK ONLY FOR APA50-2S										-	-	-	-
518002	HOOK ONLY FOR APA250 & APA251-B										-	-	-	-
518002-2S	HOOK ONLY FOR APA250-2S & APA251-B2S										-	-	-	-
316002	HOOK ONLY FOR APA270										-	-	-	-
113002	HOOK ONLY FOR APA350										-	-	-	-

* - See accessories section for information on optional and supplied parts.

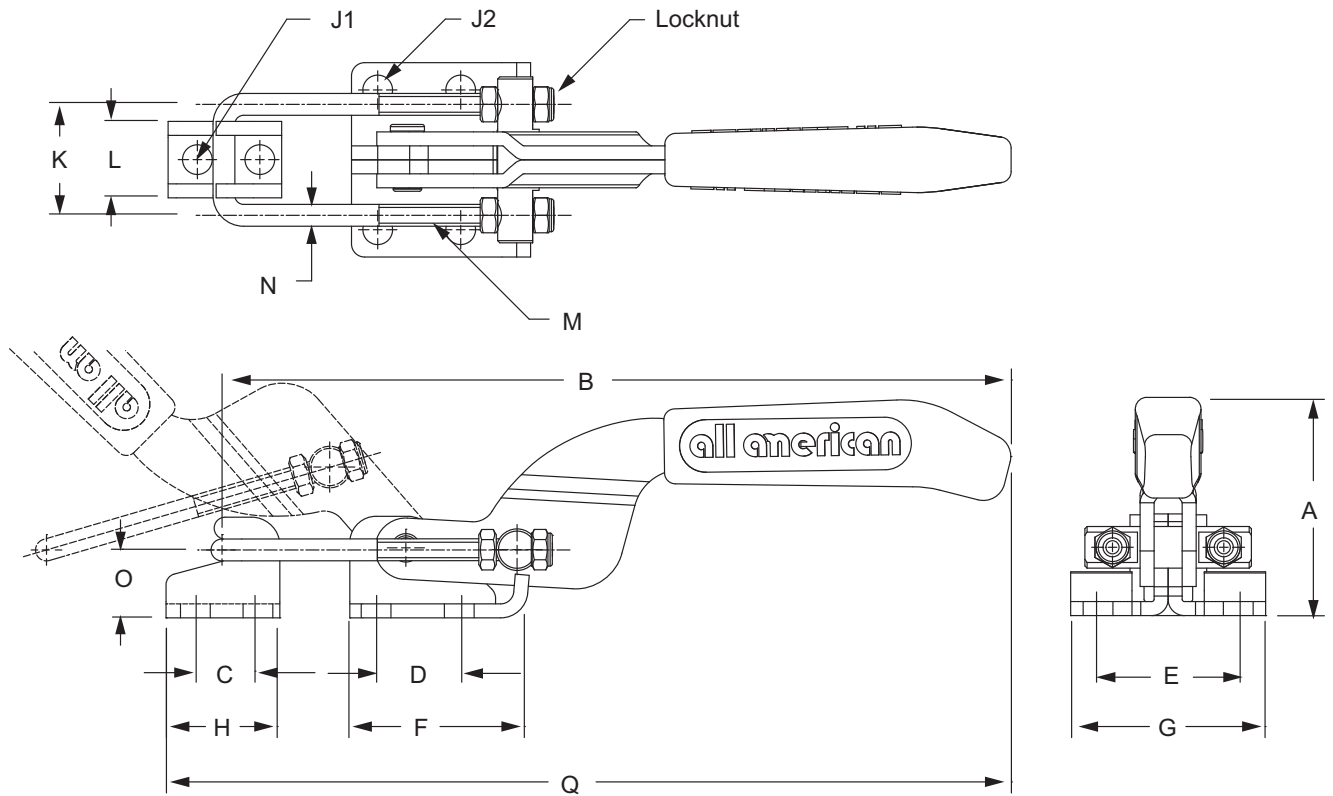
AA TOGGLE CLAMPS

LATCH TYPE PULL ACTION CLAMPS

The threaded u-bolt allows 1-3/8" of easy latch adjustment and helps to achieve the maximum holding force. A latch plate is supplied with this model.

Holding capacity: 352 lbs. Maximum on AFA100
 700 lbs. Maximum on AFA-200
 2000 lbs. maximum on AFA300

Drawing movement: 1.14 on AFA100
 1.58 on AFA200
 2.48 on AFA300



SERIES AFA100, AFA200, AFA300

P/N	TYPE	A	B	C	D	E	F	G	H	J1	J2	K	L	M	N	O	Q-MIN	Q-MAX
AFA100	FA	1.14	3.98	.39	.63	.75	1.02	1.09	.79	.17	.17	.75	.51	M4x.70P	.14	.47	3.78	4.27
AFA100-2S	FA, 2S	1.14	3.98	.39	.63	.75	1.02	1.09	.79	.17	.17	.75	.51	M4x.70P	.14	.47	3.78	4.27
AFA200	FA	1.96	7.09	.56	.75	1.26	1.61	1.75	1.02	.27	.27	1.00	.69	M5x.80P	.19	.63	5.69	6.28
AFA200-2S	FA, 2S	1.96	7.09	.56	.75	1.26	1.61	1.75	1.02	.27	.27	1.00	.69	M5x.80P	.19	.63	5.69	6.28
AFA300	FA	2.88	9.19	.75	1.63	1.50	2.38	2.13	1.50	.33	.33	1.75	1.19	M8x1.25P	.31	.92	8.31	9.06
AFA300-2S	FA, 2S	2.88	9.19	.75	1.63	1.50	2.38	2.13	1.50	.33	.33	1.75	1.19	M8x1.25P	.31	.92	8.31	9.06
100001	*LATCH PLATE SUPPLIED FOR AFA100								-	-	-	-	-	-	-	-	-	-
100001-2S	*LATCH PLATE SUPPLIED FOR AFA100-2S								-	-	-	-	-	-	-	-	-	-
200001	*LATCH PLATE SUPPLIED FOR AFA200								-	-	-	-	-	-	-	-	-	-
200001-2S	*LATCH PLATE SUPPLIED FOR AFA200-2S								-	-	-	-	-	-	-	-	-	-
300001	*LATCH PLATE SUPPLIED FOR AFA300								-	-	-	-	-	-	-	-	-	-
300001-2S	*LATCH PLATE SUPPLIED FOR AFA300-2S								-	-	-	-	-	-	-	-	-	-

* - See accessories section for information on optional and supplied parts.

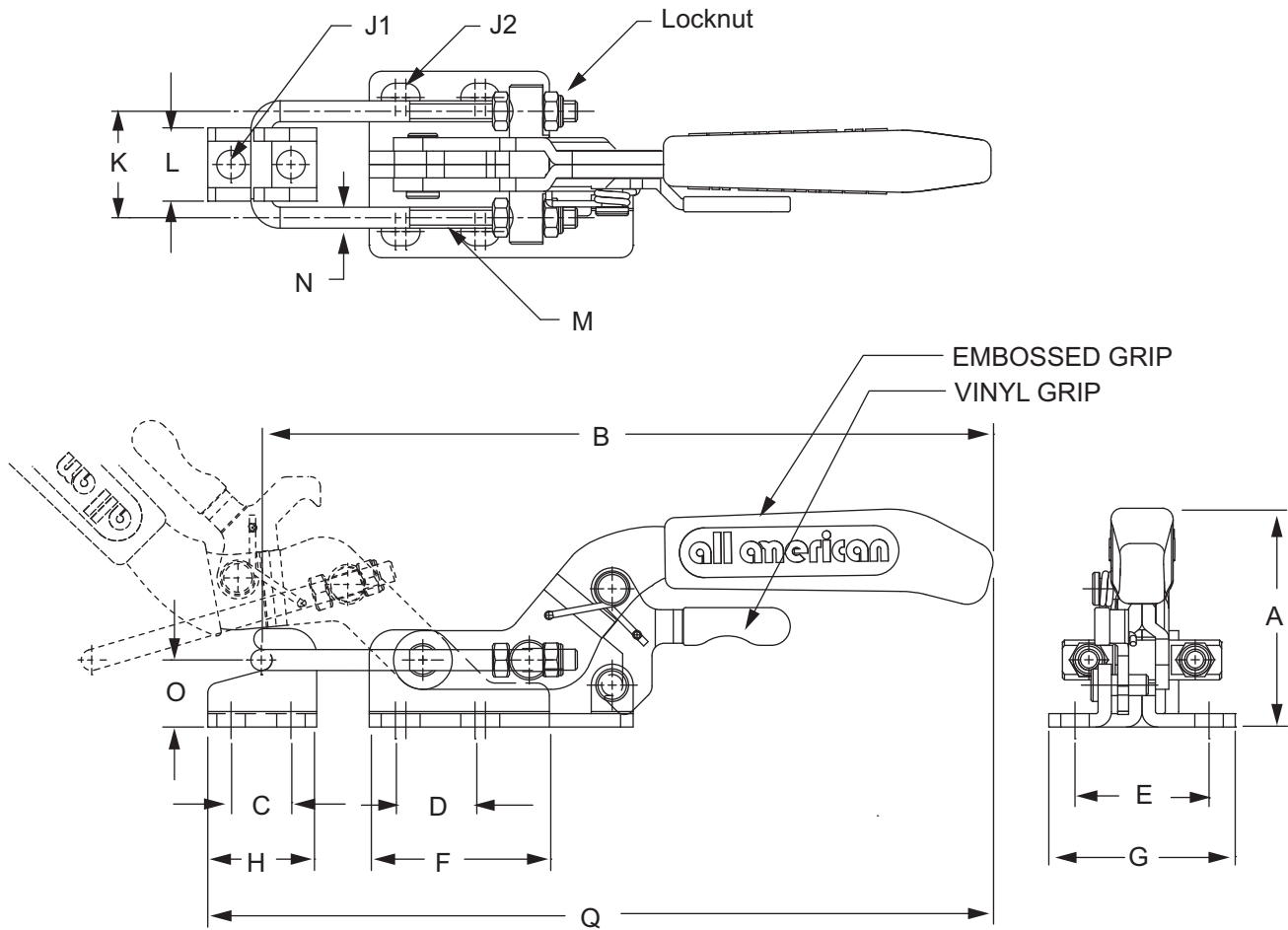
LATCH TYPE PULL ACTION CLAMPS

This latch type clamp is similar to model AFA200 AND AFA300 but has the addition of a release lock to hold the clamp in place. The threaded u-bolt allows 1-3/8" of easy latch adjustment and helps to achieve the maximum holding force. A Latch plate is supplied with this model.

RELEASE-LOCK



Holding capacity: 700 lbs. Maximum on AFA-200
2000 lbs. maximum on AFA300
Drawing movement: 1.58 on AFA200
2.48 on AFA300



SERIES AFA200-RL, AFA300-RL

P/N	TYPE	A	B	C	D	E	F	G	H	J1	J2	K	L	M	N	O	Q-MIN	Q-MAX
AFA200-RL	FA, RL	1.96	7.09	.56	.75	1.26	1.61	1.75	1.02	.27	.27x.37	1.00	.69	M5x.80P	.19	.63	5.69	6.28
AFA300-RL	FA, RL	2.88	9.19	.75	1.63	1.50	2.38	2.13	1.50	.33	.33	1.75	1.19	M8x1.25P	.31	.92	8.31	9.06
200001	*LATCH PLATE SUPPLIED FOR AFA200-RL																	
300001	*LATCH PLATE SUPPLIED FOR AFA300-RL																	

* - See accessories section for information on optional and supplied parts.

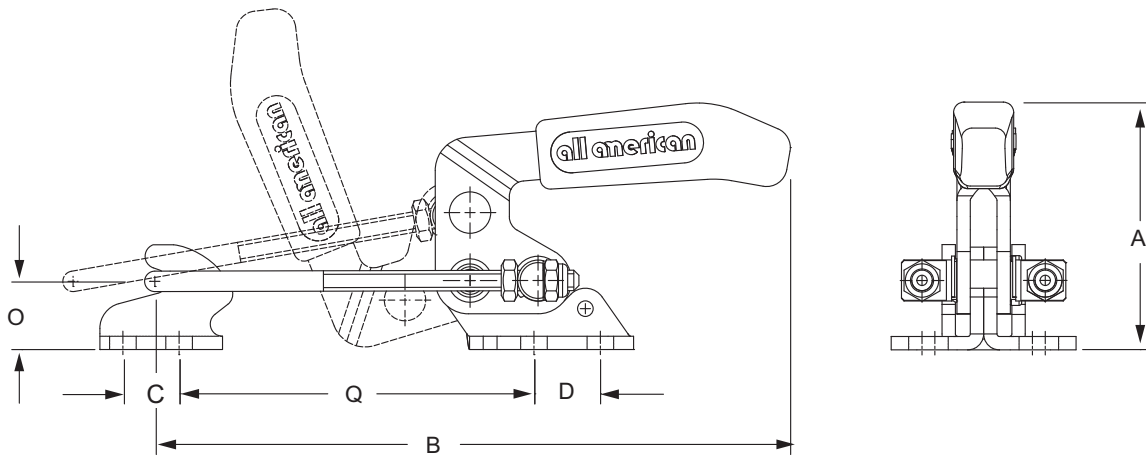
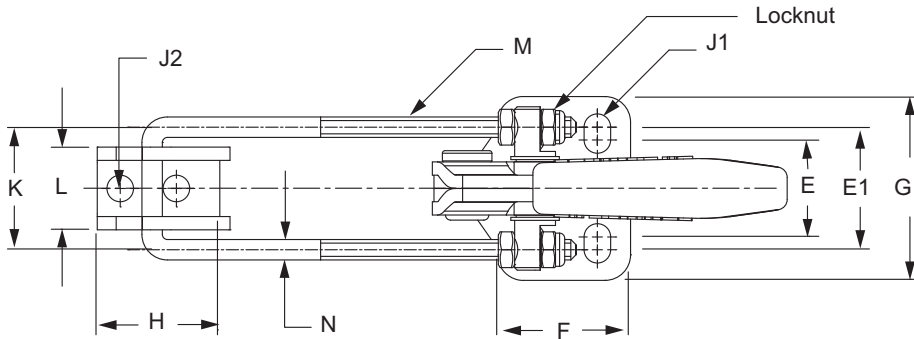
AA TOGGLE CLAMPS

LATCH TYPE PULL ACTION CLAMPS

This model is similar to AFA100 but with a different handle style. This model comes in three different styles. Latch plate is supplied with this model. Stainless steel version is also available.

Holding capacity: 308 lbs. Maximum on AFA102
550 lbs. Maximum on AFA-202
990 lbs. maximum on AFA-302

Drawing movement: .63 on AFA-102
.94 on AFA-202
1.26 on AFA-302



SERIES AFA102, AFA202, AFA302

P/N	TYPE	A	B	C	D	E	E1	F	G	H	J1	J2	K	L	M	N	O	Q-MIN	Q-MAX
AFA102	FA	1.91	5.11	.43	.51	.75	.94	1.02	1.42	1.02	.20 x .30	.20	.94	.64	M4x.70P	.14	.47	1.50	2.76
AFA102-2S	FA, 2S	1.91	5.11	.43	.51	.75	.94	1.02	1.42	1.02	.20 x .30	.20	.94	.64	M4x.70P	.14	.47	1.50	2.76
AFA202	FA	2.73	6.89	.55	.75	.98	1.26	1.38	1.89	1.39	.26 x .39	.26	1.22	.69	M6x1.00P	.23	.75	1.89	3.54
AFA202-2S	FA, 2S	2.73	6.89	.55	.75	.98	1.26	1.38	1.89	1.39	.26 x .39	.26	1.22	.69	M6x1.00P	.23	.75	1.89	3.54
AFA302	FA	3.74	9.19	.75	1.26	1.42	1.77	2.00	2.56	1.57	.33 x .51	.33	1.65	1.10	M8 x 1.25P	.31	.98	2.56	4.72
102001	*LATCH PLATE SUPPLIED FOR AFA102										-	-	-	-	-	-	-	-	-
102001-2S	*LATCH PLATE SUPPLIED FOR AFA102-2S										-	-	-	-	-	-	-	-	-
202001	*LATCH PLATE SUPPLIED FOR AFA202										-	-	-	-	-	-	-	-	-
202001-2S	*LATCH PLATE SUPPLIED FOR AFA202-2S										-	-	-	-	-	-	-	-	-
302001	*LATCH PLATE SUPPLIED FOR AFA302										-	-	-	-	-	-	-	-	-

* - See accessories section for information on optional parts.

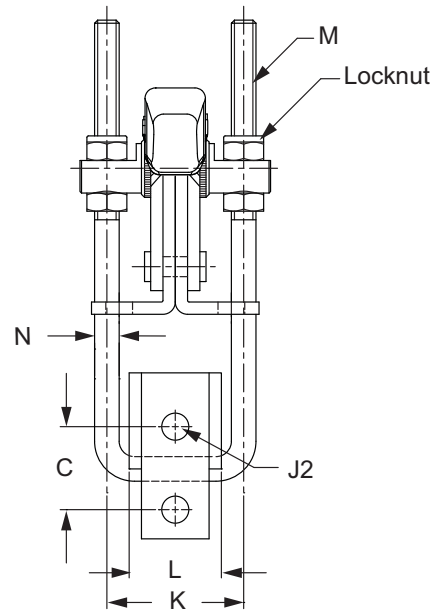
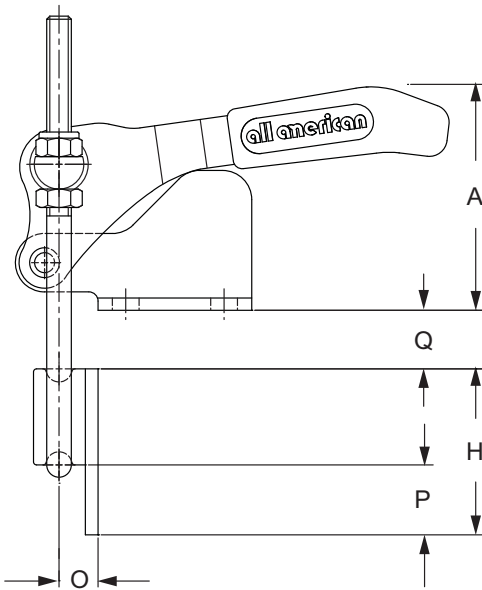
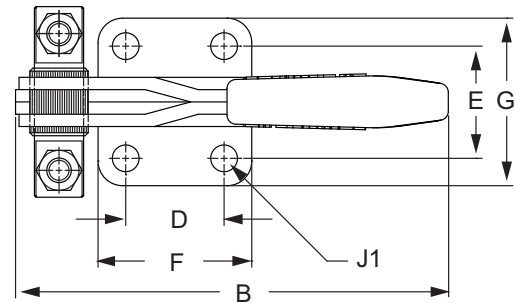
LATCH TYPE PULL ACTION CLAMPS

Another type of fastening clamp, this model comes with a latch plate. This model comes in three different styles. Latch plate is supplied with this model. Stainless steel version is also available.



Holding capacity: 500 lbs. Maximum on AFA130
1000 lbs. Maximum on AFA230
2000 lbs. maximum on AFA330

Drawing movement: 1.50 on AFA130
2.00 on AFA230
2.50 on AFA330



SERIES AFA130, AFA230, AFA330

P/N	TYPE	A	B	C	D	E	F	G	H	J1	J2	K	L	M	N	O	P	Q-MIN	Q-MAX
AFA130	FA	2.10	3.54	.56	.50	.87	1.00	1.38	1.00	.20	.17	.81	.51	M4 x .70P	.14	.19	.46	.48	.98
AFA130-2S	FA, 2S	2.10	3.54	.56	.50	.87	1.00	1.38	1.00	.20	.17	.81	.51	M4 x .70P	.14	.19	.46	.48	.98
AFA230	FA	2.65	4.76	.81	.75	1.00	1.32	1.57	1.50	.28	.21	1.10	.69	M6 x 1.00P	.23	.34	.69	.54	1.42
AFA230-2S	FA, 2S	2.65	4.76	.81	.75	1.00	1.32	1.57	1.50	.28	.21	1.10	.69	M6 x 1.00P	.23	.34	.69	.54	1.42
AFA330	FA	3.31	6.19	1.06	1.26	1.44	1.97	2.15	2.13	.34	.34	1.75	1.18	M8 x 1.25P	.31	.50	.90	.75	2.04
130001	*LATCH PLATE SUPPLIED FOR AFA130										-	-	-	-	-	-	-	-	-
130001-2S	*LATCH PLATE SUPPLIED FOR AFA130-2S										-	-	-	-	-	-	-	-	-
230001	*LATCH PLATE SUPPLIED FOR AFA230										-	-	-	-	-	-	-	-	-
230001-2S	*LATCH PLATE SUPPLIED FOR AFA230-2S										-	-	-	-	-	-	-	-	-
330001	*LATCH PLATE SUPPLIED FOR AFA330										-	-	-	-	-	-	-	-	-

* - See accessories section for information on optional parts.

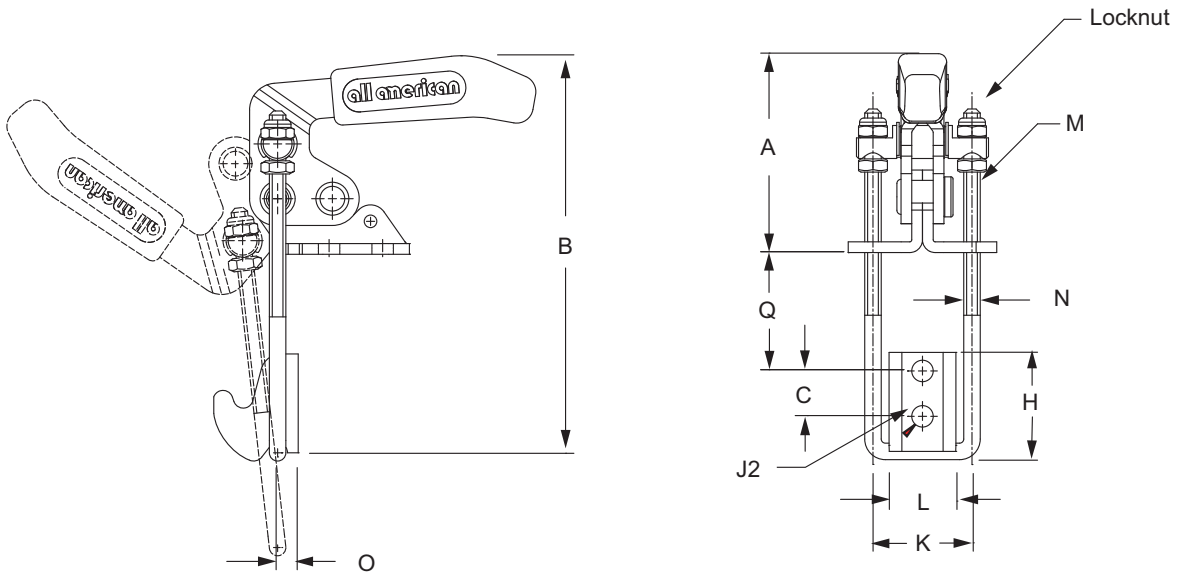
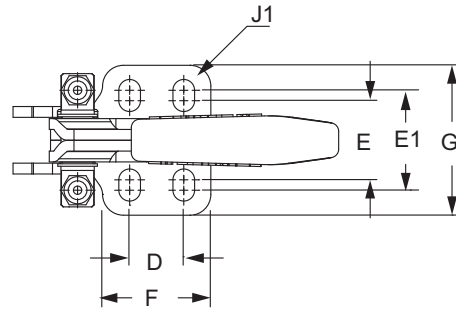


LATCH TYPE PULL ACTION CLAMPS

This model is similar to AFA130 but has a lighter holding capacity. This model comes in three different styles. Latch plate is supplied with this model. Stainless steel version is also available.

Holding capacity: 308 lbs. Maximum on AFA140
550 lbs. Maximum on AFA240
990 lbs. maximum on AFA340

Drawing movement: .91 on AFA140
1.10 on AFA240
1.42 on AFA340



SERIES AFA140, AFA240, AFA340

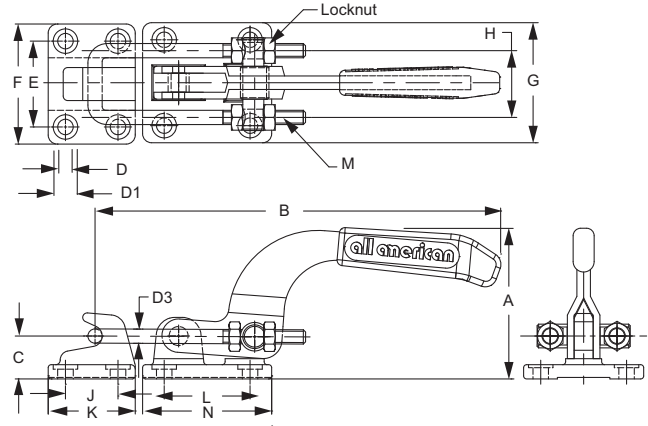
P/N	TYPE	A	B	C	D	E	E1	F	G	H	J1	J2	K	L	M	N	O	Q-MIN	Q-MAX
AFA140	FA	1.91	3.81	.43	.51	.75	.94	1.02	1.42	.94	.20 x .30	.20	.94	.64	M4 x .70P	.14	.20	.20	1.14
AFA140-2S	FA, 2S	1.91	3.81	.43	.51	.75	.94	1.02	1.42	.94	.20 x .30	.20	.94	.64	M4 x .70P	.14	.20	.20	1.14
AFA240	FA	2.80	5.02	.55	.75	.98	1.26	1.38	1.89	1.39	.26 x .39	.26	1.22	.69	M6 x 1.00P	.23	.26	.28	1.38
AFA240-2S	FA, 2S	2.80	5.02	.55	.75	.98	1.26	1.38	1.89	1.39	.26 x .39	.26	1.22	.69	M6 x 1.00P	.23	.26	.28	1.38
AFA340	FA	3.74	6.78	.75	1.26	1.42	1.77	2.00	2.56	1.57	.33 x .51	.33	1.65	1.10	M8 x 1.25P	.31	.31	.35	1.89
102001	*LATCH PLATE SUPPLIED FOR AFA140										-	-	-	-	-	-	-	-	-
102001-2S	*LATCH PLATE SUPPLIED FOR AFA140-2S										-	-	-	-	-	-	-	-	-
202001	*LATCH PLATE SUPPLIED FOR AFA240										-	-	-	-	-	-	-	-	-
202001-2S	*LATCH PLATE SUPPLIED FOR AFA240-2S										-	-	-	-	-	-	-	-	-
302001	*LATCH PLATE SUPPLIED FOR AFA340										-	-	-	-	-	-	-	-	-

* - See accessories section for information on optional parts.

LATCH TYPE PULL ACTION CLAMPS

This is a heavy duty model with a lost waxed base for extra strength. The optional latch plate is also made of cast steel and can be ordered separately. An embossed grip is provided for handle comfort.

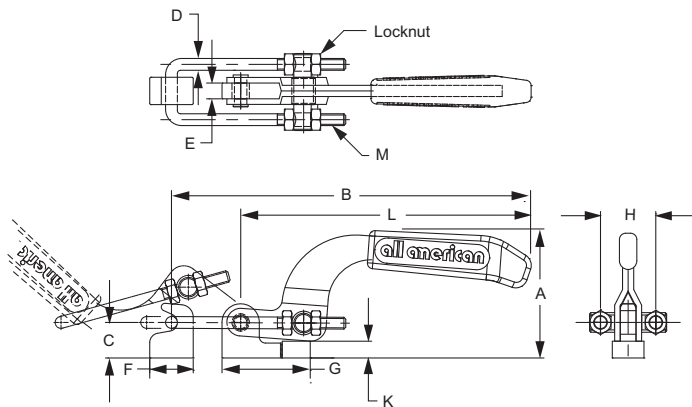
Holding capacity: 4,000 lbs. Maximum
Drawing Movement: 3.50



SERIES AFA600																
P/N	TYPE	A	B	C	D	D1	D3	E	F	G	H	J	K	L	M	N
AFA600	FA, FB	3.95	11.28	1.13	.41	.64	.39	2.25	3.15	3.15	1.75	1.38	2.28	2.25	3/8-16	3.38
600001	*OPTIONAL LATCH PLATE										-	-	-	-	-	-

This is a heavy duty model has a small footprint for space constrained applications. The supplied latch plate can be ordered separately. An embossed grip is provided for handle comfort.

Holding capacity: 4,000 lbs. Maximum
Drawing Movement: 3.50



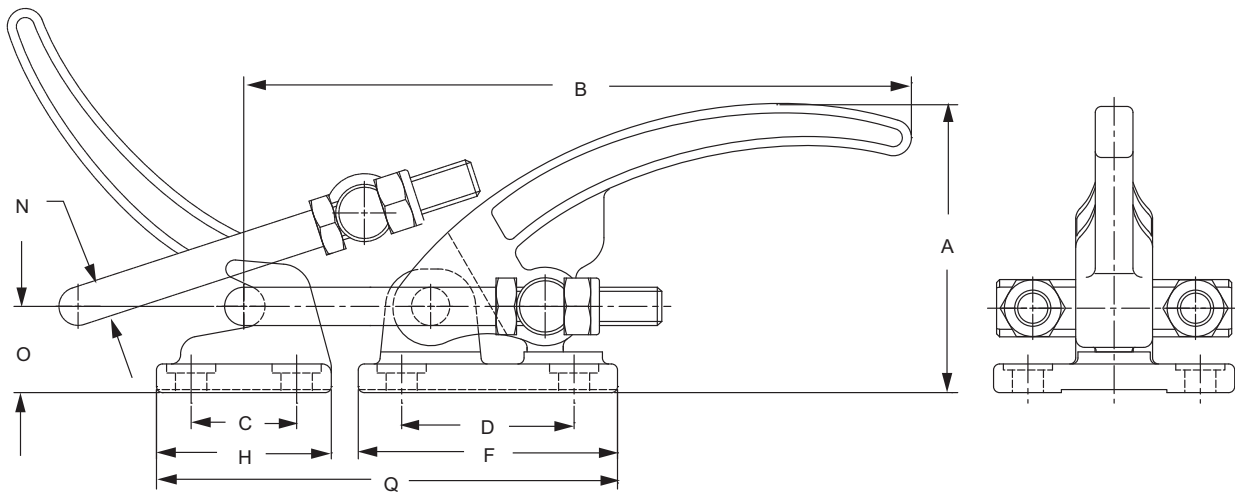
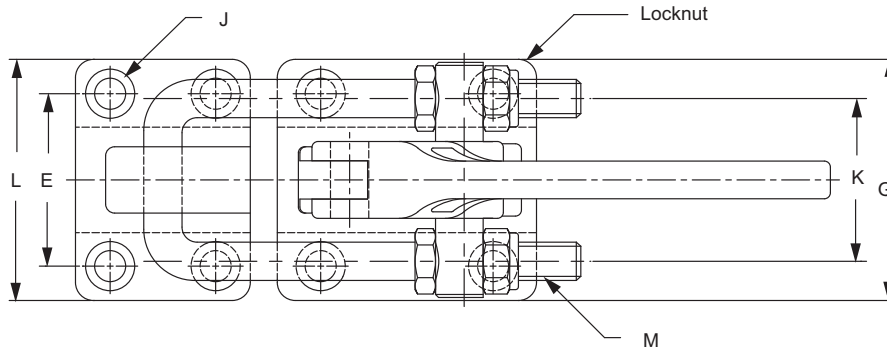
AFA601-B												
P/N	TYPE	A	B	C	D	E	F	G	H	K	L	M
AFA601-B	FA, SB	3.95	11.28	1.13	.39	.50	1.38	2.80	1.75	.53	8.33	3/8 - 16

* - See accessories section for information on optional and supplied parts.

LATCH TYPE PULL ACTION CLAMPS

This model has the largest capacity of our toggle clamp line. It has a lost waxed base and handle for extra strength. The optional latch plate is also made of lost waxed steel and can be ordered separately.

Holding capacity: 7,500 lbs. Maximum
Drawing Movement: 2.19



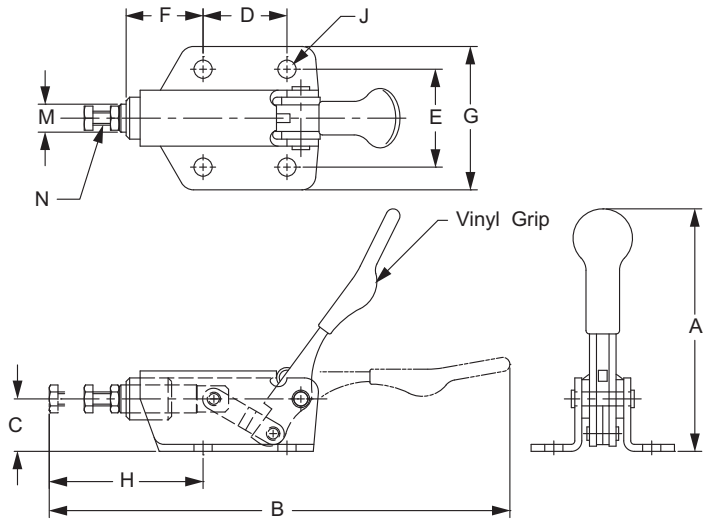
SERIES AFA700																	
P/N	TYPE	A	B	C	D	E	F	G	H	J	K	L	M	N	O	Q-MIN	Q-MAX
AFA700	FA	3.76	8.72	1.38	2.25	2.25	3.39	3.15	2.28	.41	2.13	3.15	1/2-13	.50	1.13	6.02	6.81
600001	*OPTIONAL LATCH PLATE									-	-	-	-	-	-	-	-

* - See accessories section for information on optional and supplied parts.

STRAIGHT LINE ACTION CLAMPS

This compact clamp with its low profile reverse action is a new concept in holding small parts for milling, drill, tapping and assembling. The vinyl dipped handle is down and out of the way when in clamping or holding positions.

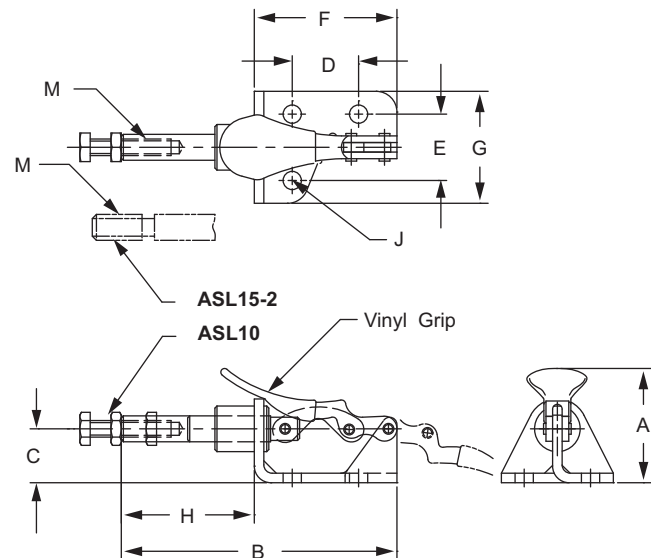
Spindle supplied: 832203 (Nylon)
Holding capacity: 110 lbs. Maximum
Plunger travel: .39"
Handle opens: 66°



SERIES ASL07												
P/N	TYPE	A	B	C	D	E	F	G	H	J	M	N
ASL07	RA, TA	2.73	5.18	.59	.94	1.10	.87	1.61	1.73	.20	.31	8-32

These are the smallest of the push/pull models. These models feature an extra long stroke relative to its size and locks both push and pull positions. The handle has been lengthened 1/4" to improve leverage and grip. This model is ideal for light duty applications and where small fixtures are required, such as in the electronic and jewelry industries.

Spindle supplied: ASL10 - 832203 (Nylon)
Holding capacity: 100 lbs. Maximum
Plunger travel: .63"



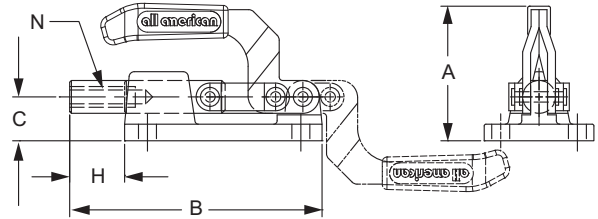
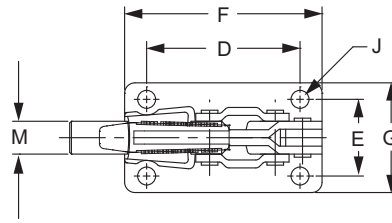
SERIES ASL10, ASL15-2											
P/N	TYPE	A	B	C	D	E	F	G	H	J	M
ASL10	TA	1.16	2.61	.51	.63	.63	1.32	1.06	1.26	.17	8-32
ASL10-2S	TA, 2S	1.16	2.61	.51	.63	.63	1.32	1.06	1.26	.17	8-32
ASL15-2	EX	1.16	2.89	.51	.63	.63	1.32	1.06	1.54	.17	1/4-20
ASL15-22S	EX, 2S	1.16	2.89	.51	.63	.63	1.32	1.06	1.54	.17	1/4-20



STRAIGHT LINE ACTION CLAMPS

This tiny yet extremely powerful plunger clamp has a lost waxed steel base. Requires very little mounting space due to its narrow base and compact low profile. Locks in extended or retracted position. This can be mated with any 1/4-20 spindle.

Holding capacity: 300 lbs. Maximum
Plunger travel: .63"

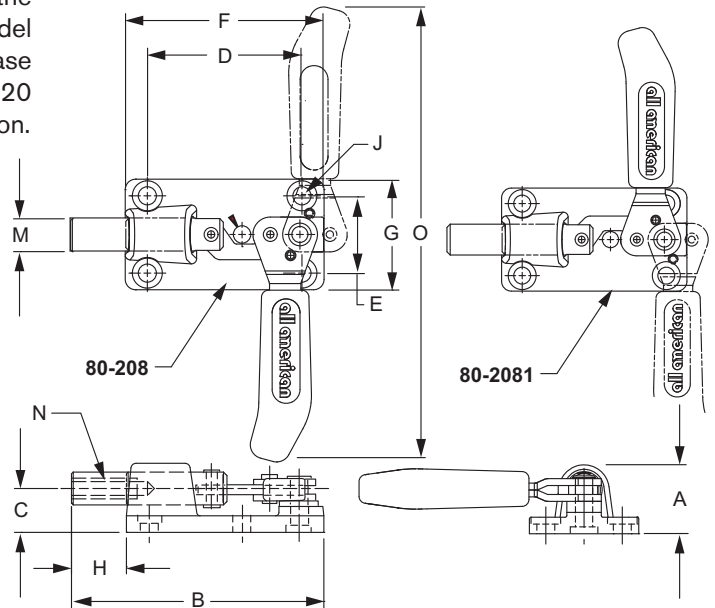


SERIES ASL70

P/N	TYPE	A	B	C	D	E	F	G	H	J	M	N
ASL70	TA	1.59	2.87	.50	1.75	.87	2.25	1.25	.63	.20	.37	1/4-20
ASL70-2S	TA, 2S	1.59	2.87	.50	1.75	.87	2.25	1.25	.63	.20	.37	1/4-20

This new item is similar to model ASL70 except that the handle swings horizontally instead of vertically. This model requires very little mounting space due to its narrow base and compact low profile and can be mated with any 1/4-20 spindle. The handle locks in extended or retracted position.

Holding capacity: 200 lbs. Maximum
Plunger travel: .67"
Handle move: 180°

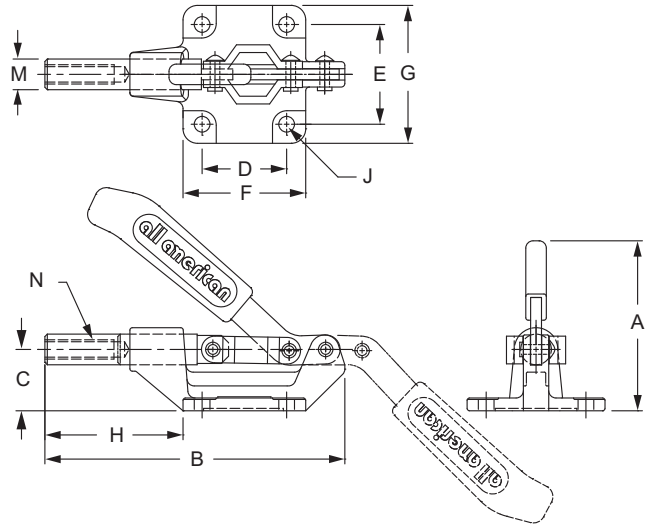


SERIES ASL70-LR, ASL70-RR

P/N	TYPE	A	B	C	D	E	F	G	H	J	M	N	O
ASL70-LR	LR, TA	.79	2.91	.50	1.75	.87	2.25	1.25	.66	.20	.37	1/4-20	3.20
ASL70-RR	RR, TA	.79	2.91	.50	1.75	.87	2.25	1.25	.66	.20	.37	1/4-20	3.20

STRAIGHT LINE ACTION CLAMPS

This model features a lost waxed base for strength and vibration damping properties. The ASL300 model made of FCD. The base face is machined for flatness. This model offers excellent holding capacity while maintaining a low profile. The plunger is ground and oiled for precise fit and smoothness in movements and has a tapped hole. Spindles are to be ordered separately.

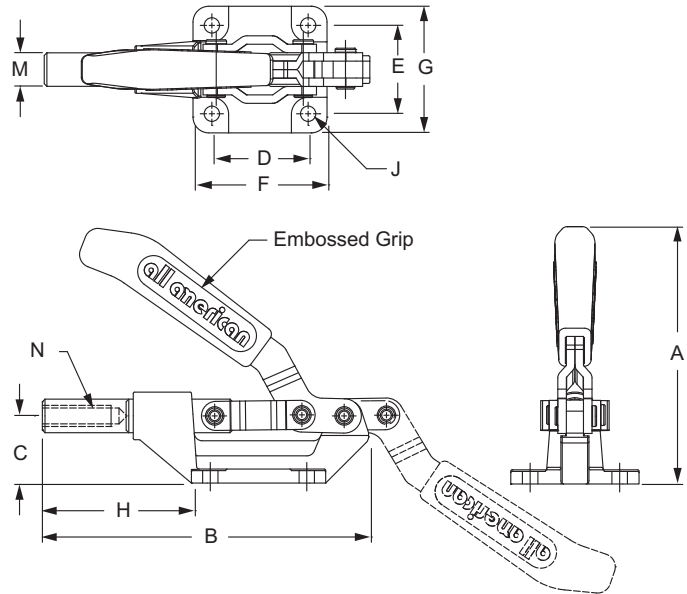


SERIES ASL100, ASL200, ASL300

P/N	TYPE	A	B	C	D	E	F	G	H	J	M	N	PLUNGER TRAVEL	HOLDING CAPACITY
ASL100	TA	3.06	4.86	1.00	1.38	1.63	2.00	2.25	2.22	.26	.50	5/16-18	1.19	485 lbs
ASL200	TA	4.10	6.13	1.25	1.63	1.63	2.25	2.25	3.04	.33	.63	3/8-16	1.63	838 lbs
ASL300	TA	5.81	9.53	1.75	2.00	2.00	2.75	2.75	4.72	.34	.75	1/2-13	2.44	1500 lbs

This model is ideal for many applications due to the low profile and outstanding holding capacity. This model features a lost waxed base for strength and shock resistance. The handle configuration is improved to eliminate crimp points. The plunger is ground and oiled for precise fit and smoothness in movement, and has a 5/16-18 tapped hole. This model accepts all 5/16-18 spindles. Spindles are to be ordered separately.

Holding capacity: 485 lbs. Maximum
Plunger travel: 1.25"
Handle opens: 180°



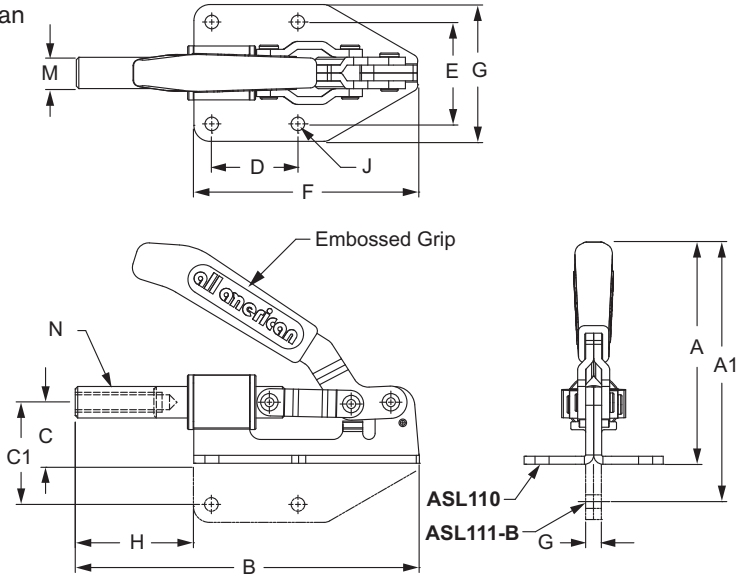
SERIES ASL105-2

P/N	TYPE	A	B	C	D	E	F	G	H	J	M	N
ASL105-2	TA	3.79	4.86	1.00	1.44	1.32	2.00	1.89	2.22	.23	.50	5/16-18
ASL105-22S	TA, 2S	3.79	4.86	1.00	1.44	1.32	2.00	1.89	2.22	.23	.50	5/16-18

STRAIGHT LINE ACTION CLAMPS

This model features a base for economy. The handle locks in both the extended and the retracted position and has an embossed handle.

Holding capacity: 300 lbs. Maximum
Plunger travel: 1.25"
Handle opens: 180°

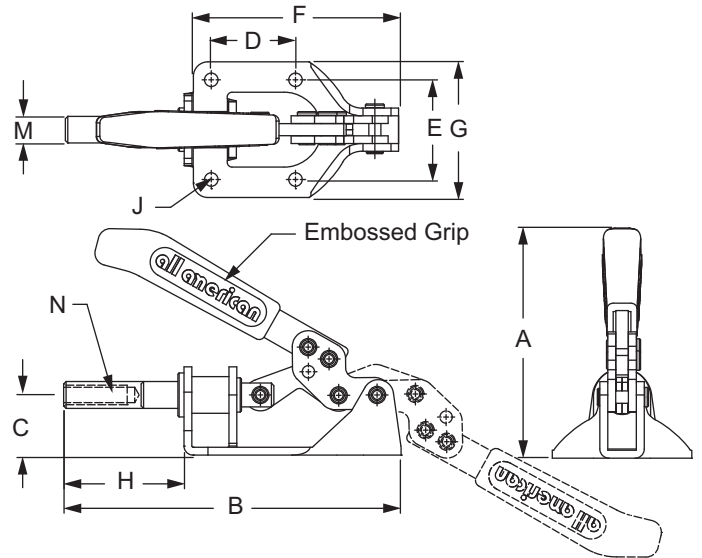


SERIES ASL110, ASL111-B

P/N	TYPE	A	A1	B	C	C1	D	E	F	G	H	J	M	N
ASL110	TA, FB	3.50	-	5.47	.97	-	1.38	1.63	3.59	2.19	1.88	.22	.50	5/16-18
ASL111-B	TA, SB	-	4.08	5.47	-	1.56	1.38	-	3.59	.25	1.88	.22	.50	5/16-18

This model remains in the low profile family, and features a stamped base for economy. The handle configuration is improved to eliminate crimp points. An embossed handle grip has been included. The plunger is ground and oiled for precise fit and smooth in movement, and has a 5/16-18 tapped hole. This model accepts all 5/16-18 spindles. Spindles are to be ordered separately.

Holding capacity: 300 lbs. Maximum
Plunger travel: 1.25"



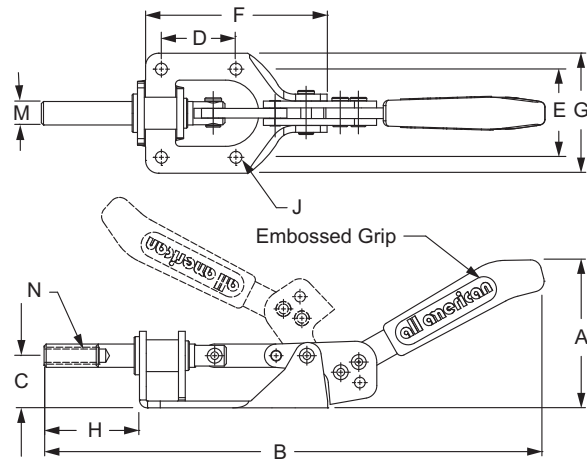
SERIES ASL150

P/N	TYPE	A	B	C	D	E	F	G	H	J	M	N
ASL150	TA	3.65	5.44	.97	1.37	1.63	3.50	2.22	1.94	.22	.43	5/16-18

STRAIGHT LINE ACTION CLAMPS

This model is similar to model ASL150 but has reverse action on the handle. It also remains in the low profile family, and features a stamped base for economy. The handle configuration is improved to eliminate crimp points. The plunger is ground and oiled for precise fit and smooth in movement, and has a 5/16-18 tapped hole. This model accepts all 5/16-18 spindles. Spindles are to be ordered separately.

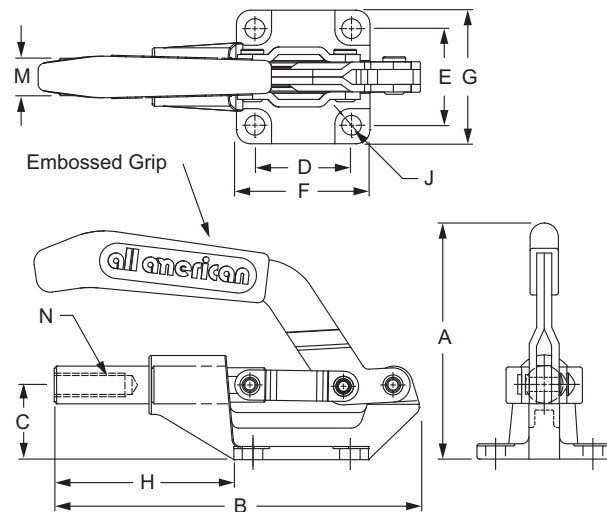
Holding capacity: 298 lbs. Maximum
Plunger travel: .97"



SERIES ASL160												
P/N	TYPE	A	B	C	D	E	F	G	H	J	M	N
ASL160	TA, RA	2.75	9.29	.97	1.37	1.63	3.50	2.22	1.77	.22	.43	5/16-18

This model is similar to model ASL100, but has a different handle configuration. It features a lost waxed base for strength and vibration damping properties. The base face is machined for flatness. This model offers excellent holding capacity while maintaining a low profile. The plunger locks in both the push and pull positions. The handle is improved to eliminate crimp points. The plunger is ground and oiled for precise fit and smoothness in movements and has a tapped hole. Spindles are to be ordered separately.

Holding capacity: 850 lbs. Maximum
Plunger travel: 1.63"



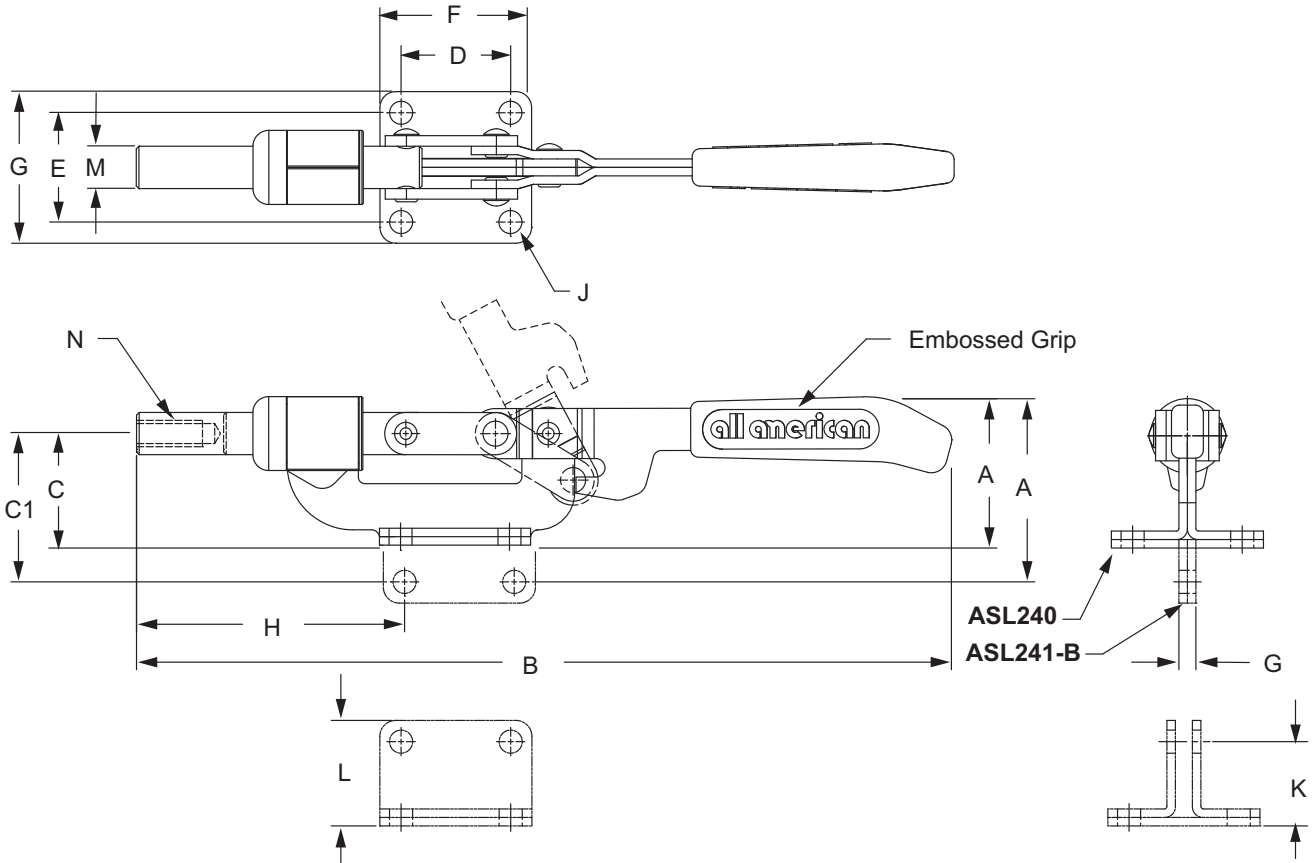
SERIES ASL210												
P/N	TYPE	A	B	C	D	E	F	G	H	J	M	N
ASL210	TA	3.82	6.09	1.25	1.63	1.63	2.25	2.25	3.00	.33	.63	3/8-16

AA TOGGLE CLAMPS

STRAIGHT LINE ACTION CLAMPS

This is the reverse version of our heavy duty model ASL250. The base is constructed of heavy gauge stamping welded together for strength and economy. The handle configuration is improved to eliminate crimp points. This model accepts all 3/8-16 spindles. Spindles are to be ordered separately.

Holding capacity: 794 lbs. Maximum
Plunger travel: 1.30"
Handle opens: 110°



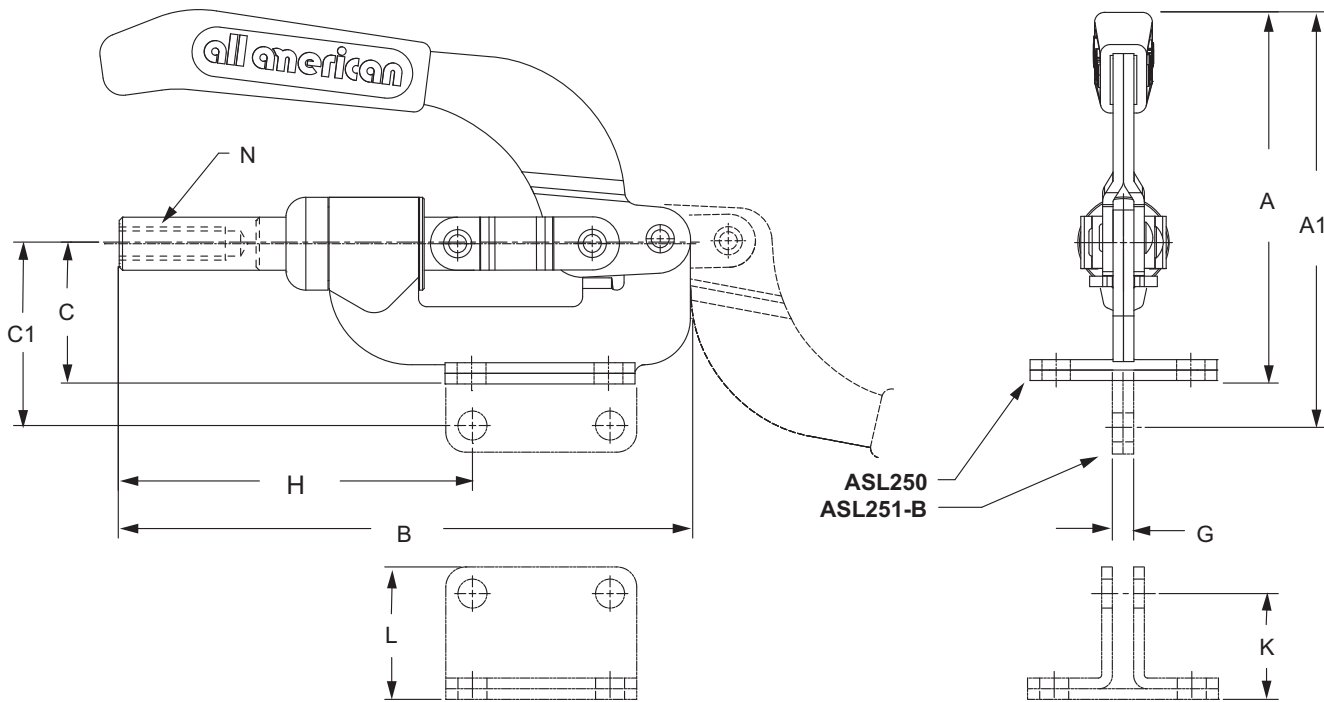
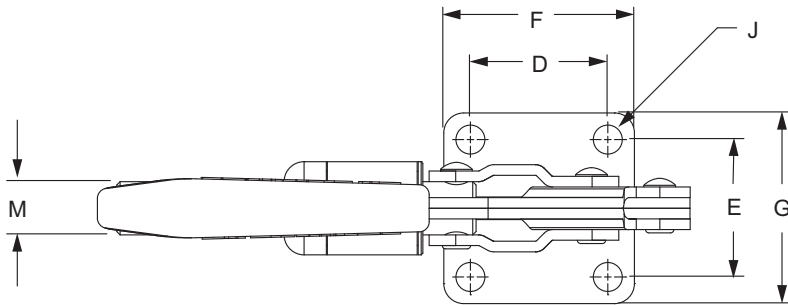
SERIES ASL240

P/N	TYPE	A	A1	B	C	C1	D	E	F	G	H	J	L	K	M	N
ASL240	TA, FB, RA	2.21	-	12.17	1.67	-	1.63	1.63	2.26	2.26	3.94	.34	-	-	.63	3/8-16
ASL241-B	TA, SB, RA	-	2.70	12.17	-	2.17	1.63	1.63	2.26	.25	3.94	.34	-	-	.63	3/8-16

STRAIGHT LINE ACTION CLAMPS

This is our heavy duty model. The base is constructed of heavy gauge stamping welded together for strength and economy. The handle configuration is improved to eliminate crimp points. This model accepts all 3/8-16 spindles. Spindles are to be ordered separately.

Holding capacity: 794 lbs. Maximum
Plunger travel: 1.625"
Handle opens: 180°



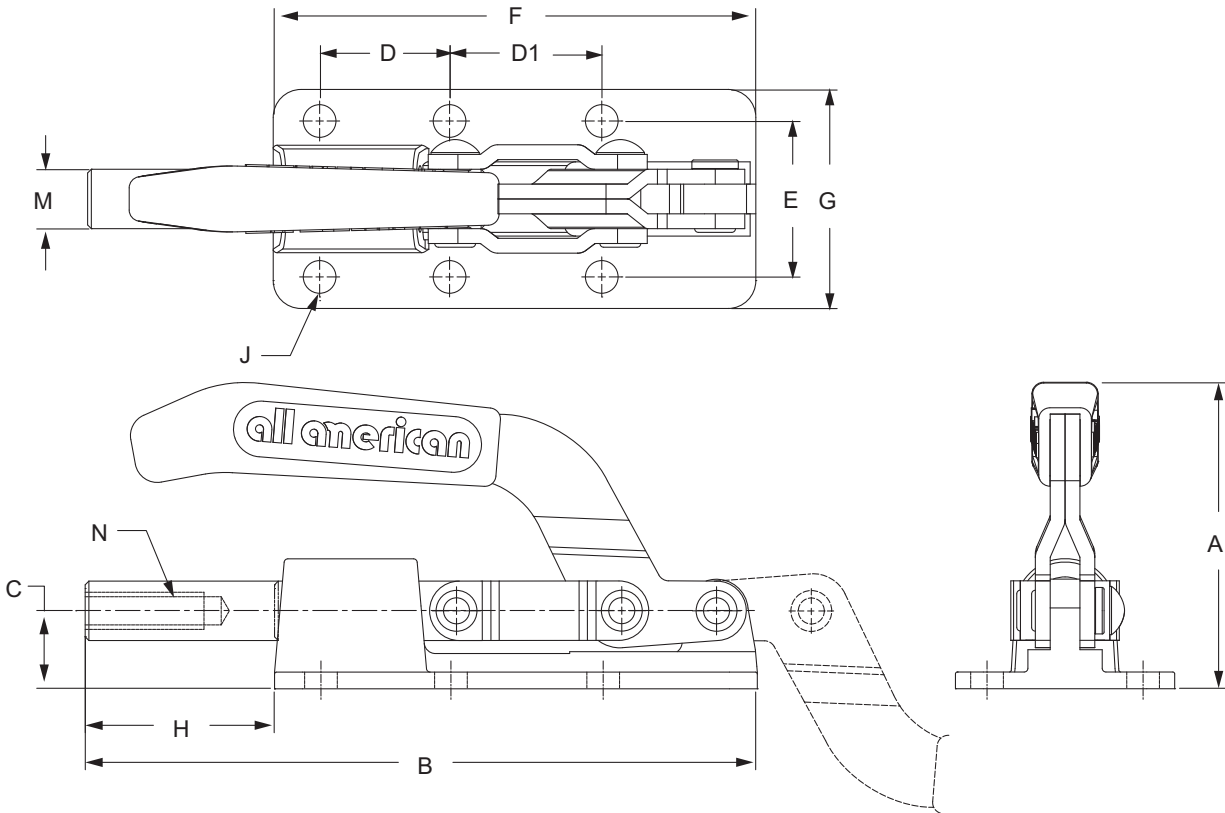
SERIES ASL250																
P/N	TYPE	A	A1	B	C	C1	D	E	F	G	H	J	L	K	M	N
ASL250	TA, FB	4.44	-	6.78	1.67	-	1.63	1.63	2.26	2.26	4.19	.34	-	-	.63	3/8-16
ASL251-B	TA, SB	-	4.94	6.78	-	2.17	1.63	1.63	2.26	.25	4.19	.34	1.25	1.56	.63	3/8-16

AA TOGGLE CLAMPS

STRAIGHT LINE ACTION CLAMPS

This model has the largest holding capacity in our low profile family; up to 2,500 lbs. maximum, and offers many features such as forged base for strength and shock resistance. In addition, the base face is machined for flatness. The design is very compact relative to its stroke and holding capacity. The plunger is ground and oiled for precise fit and smoothness in movement. The plunger has a 3/8-16 tapped hole. This model accepts all 3/8-16 spindles. Spindles are to be ordered separately.

Handle opens: 180°



SERIES ASL310, ASL350, ASL450

P/N	TYPE	A	B	C	D	D1	E	F	G	H	J	M	N	PLUNGER TRAVEL	HOLDING CAPACITY
ASL310	TA, LWB	3.29	6.06	.69	1.38	1.63	1.63	4.21	2.20	1.85	.28	.50	5/16-18	1.65	794 lbs
ASL350	TA, WZB	3.25	7.13	.83	1.38	1.61	1.65	5.12	2.32	2.00	.35	.63	3/8-16	2.00	2205 lbs
ASL450	TA, LWB	4.29	12.60	1.26	3.56	3.56	2.13	8.50	2.99	4.10	.41	.87	1/2-13	4.00	6615 lbs

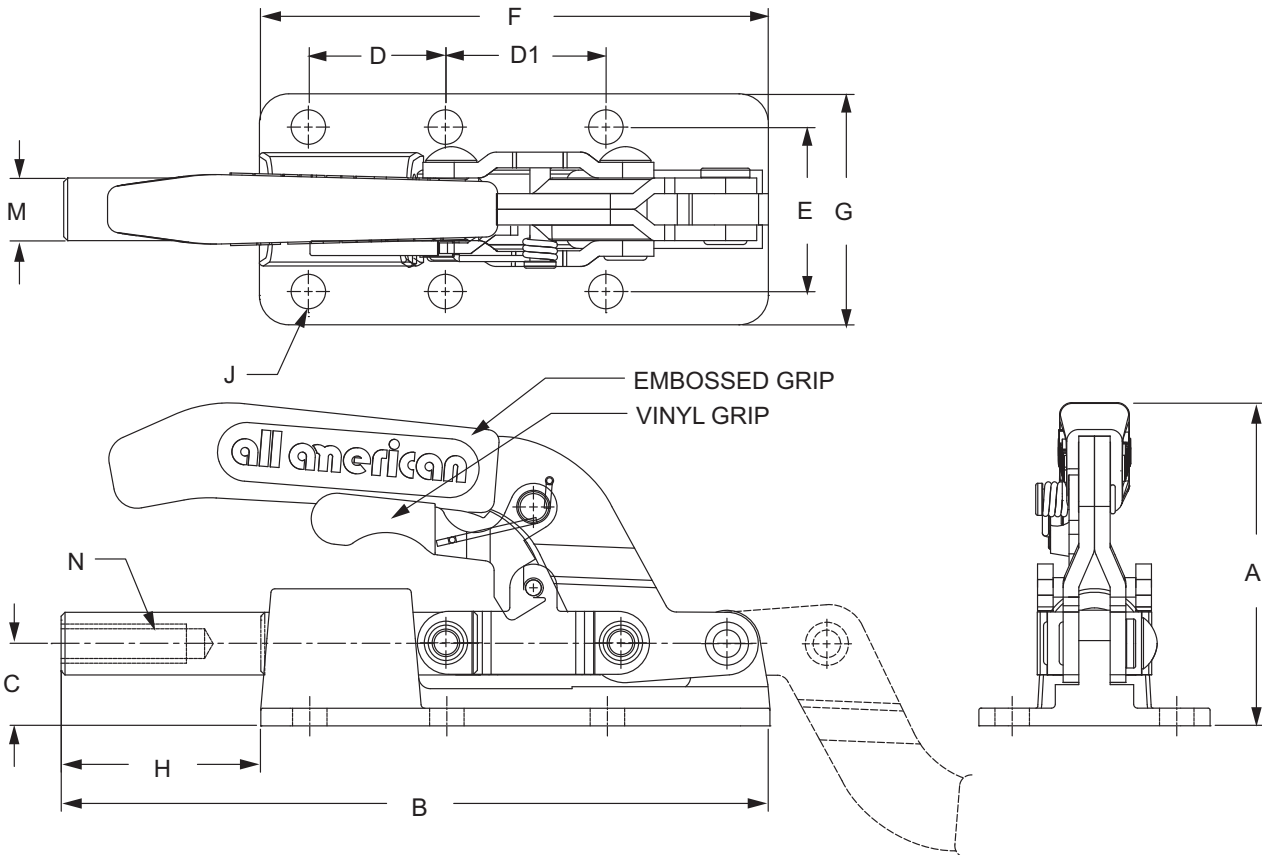
STRAIGHT LINE ACTION CLAMPS

This clamp is similar to model ASL350 but has the addition of a release lock to hold the clamp in place. This model has the largest holding capacity in our low profile family; up to 2,500 lbs. maximum, and offers many features such as lost waxed base for strength and shock resistance. In addition, the base face is machined for flatness. The design is very compact relative to its stroke and holding capacity. The plunger is ground and oiled for precise fit and smoothness in movement and locks in both the push and pull positions. The plunger has a 3/8-16 tapped hole. This model accepts all 3/8-16 spindles. Spindles are to be ordered separately.

RELEASE-**LOCK**



Handle opens: 180°



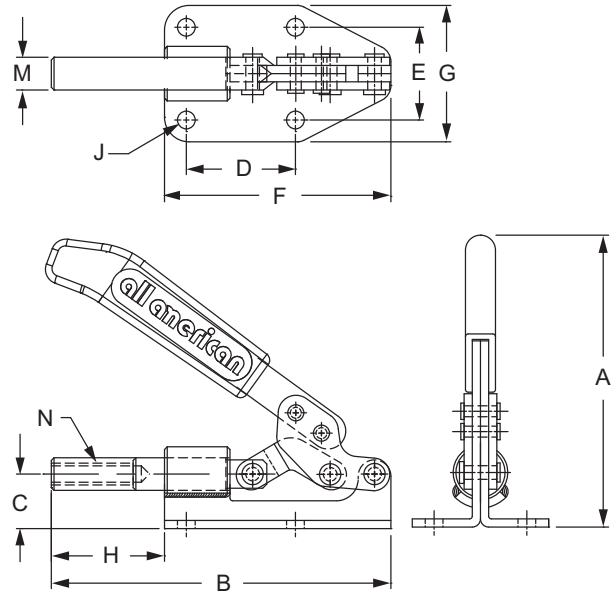
SERIES ASL350-RL															
P/N	TYPE	A	B	C	D	D1	E	F	G	H	J	M	N	PLUNGER TRAVEL	HOLDING CAPACITY
ASL350-RL	TA, WZB, RL	3.25	7.13	.83	1.38	1.61	1.65	5.12	2.32	2.00	.35	.63	3/8-16	2.00	2205 lbs

AA TOGGLE CLAMPS

STRAIGHT LINE ACTION CLAMPS

This model is smaller in dimension and capacity than ASLNO51. It is equipped with an embossed handle grip for secure handle purpose.

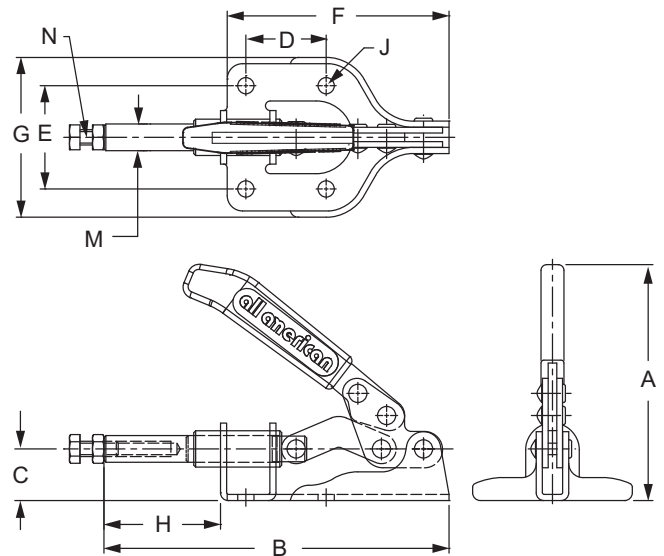
Holding capacity: 441 lbs. Maximum
 Plunger travel: 1.18"
 Handle opens: 150°



SERIES ANO.02												
P/N	TYPE	A	B	C	D	E	F	G	H	J	M	N
ANO.02	TA	4.25	4.90	.79	1.57	1.34	3.27	1.97	1.63	.26	.47	5/16-18

This model is larger in dimension and capacity than ASL150 and ANO02. It is equipped with an embossed handle grip for secure handle purpose.

Spindle Supplied: 518136
 Holding capacity: 485 lbs. Maximum
 Plunger travel: 1.69"
 Handle opens: 180°



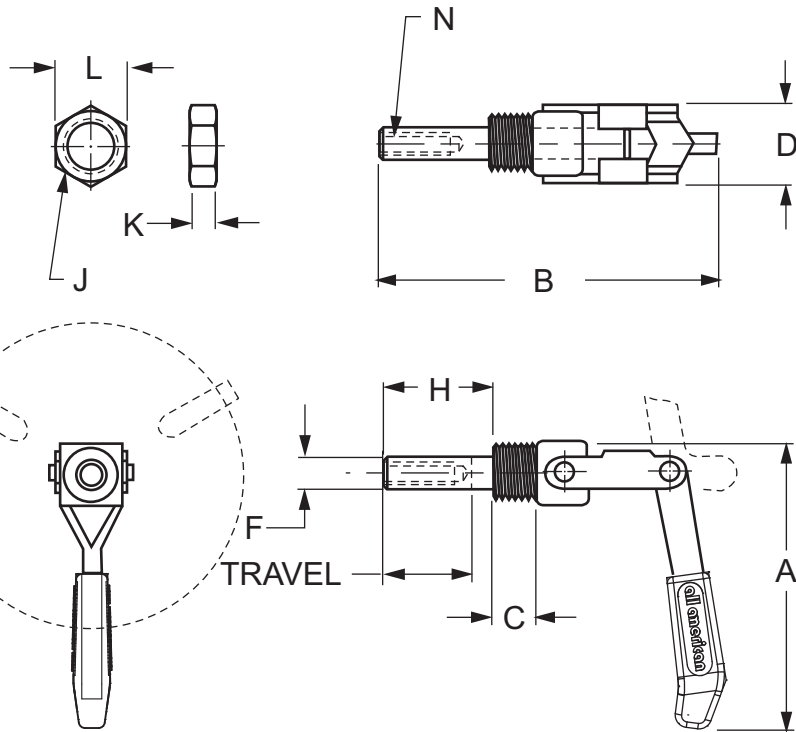
SERIES ANO.51												
P/N	TYPE	A	B	C	D	E	F	G	H	J	M	N
ANO.51	TA	5.00	7.15	1.06	1.65	2.13	4.57	3.27	2.42	.33	.55	5/16-18

STRAIGHT LINE ACTION CLAMPS

This straight line action clamp can be used as a full retractable locator. It can be mounted on a tooling plate with a jam nut, flush mounted into a threaded hole, or mounted on an optional plate. When flush mounted, the plunger will retract completely away from the work piece. An embossed handle is included for better gripping. The plunger is ground and oiled for precise fit and smoothness in movement. The plunger has a 5/16-18 x 1" deep thread. An optional mounting plate is available. Mounting plate to be ordered separately. Nut is supplied. Replacement nuts may be ordered.

Plunger travel: .75" for AFM50
 1.50" for AFM150
 2.63" for AFM250

Handle rotates: 360°



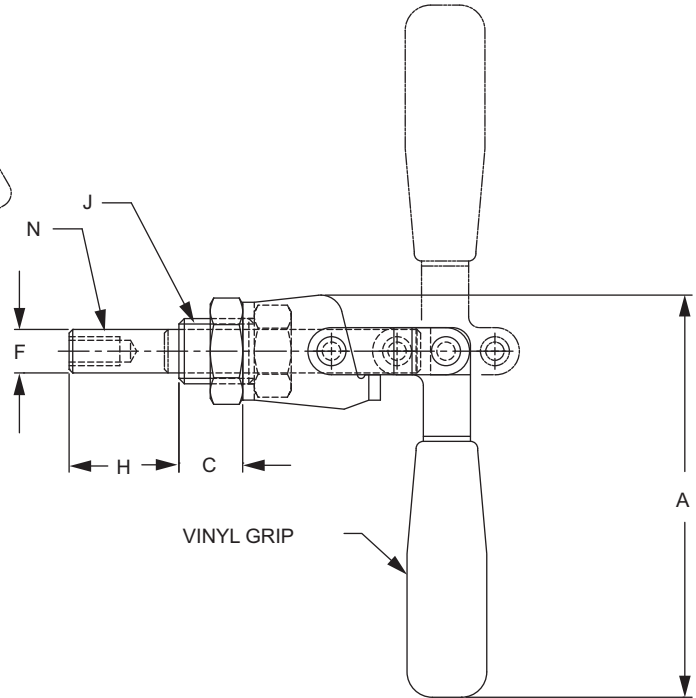
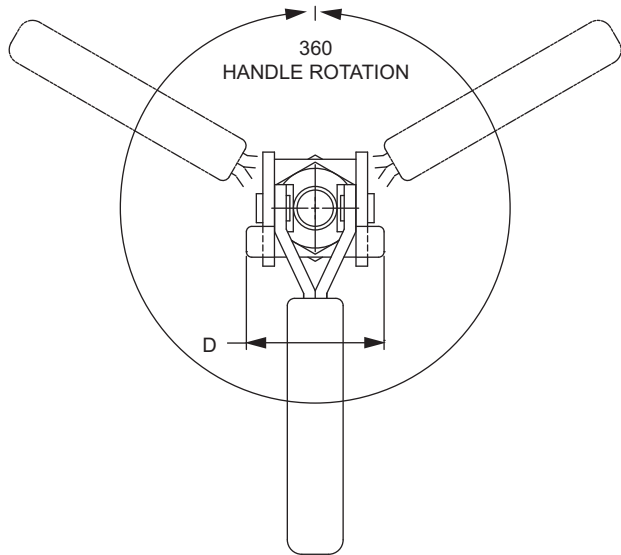
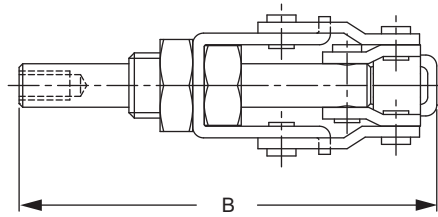
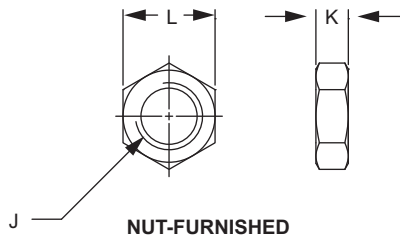
SERIES AFM50, AFM150, AFM250													
P/N	TYPE	A	B	C	D	F	H	J	K	L	N	HOLDING CAPACITY	
AFM50	FM, TA	3.32	2.54	.50	1.00	.37	.810	5/8-18	.24	.87	1/4-20	200 lbs	
AFM50-2S	FM, TA, 2S	3.32	2.54	.50	1.00	.37	.810	5/8-18	.24	.87	1/4-20	200 lbs	
AFM150	FM, TA	4.69	4.71	.63	1.25	.43	1.57	3/4-16	.24	1.00	5/16-18	330 lbs	
AFM150-2S	FM, TA, 2S	4.69	4.71	.63	1.25	.43	1.57	3/4-16	.24	1.00	5/16-18	330 lbs	
AFM250	FM, TA	6.22	6.72	.87	1.56	.63	2.745	1-14	.25	1.50	3/8-16	705 lbs	
500005	*OPTIONAL MOUNTING PLATE FOR AFM50							-	-	-	-	-	-
150005	*OPTIONAL MOUNTING PLATE FOR AFM150							-	-	-	-	-	-
250005	*OPTIONAL MOUNTING PLATE FOR AFM250							-	-	-	-	-	-

* - See accessories section for information on optional parts.

STRAIGHT LINE ACTION CLAMPS

This model has all the features of model AFM150, but has a larger handle for more comfortable action. Nut is supplied. Replacement nuts can be ordered separately.

Holding capacity: 330 lbs. Maximum
Plunger travel: 1.04"



SERIES AFM150-1

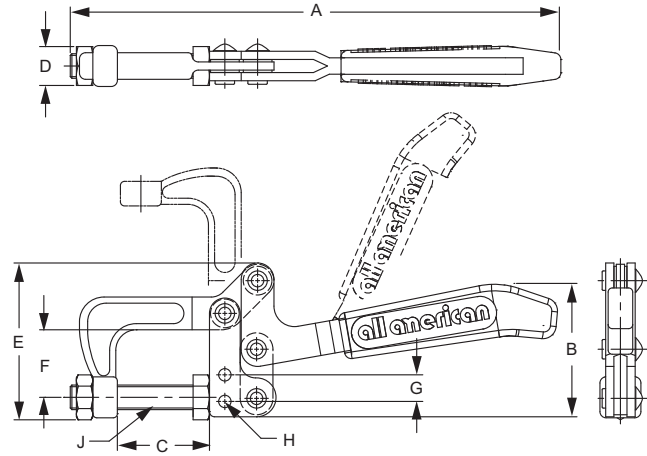
P/N	TYPE	A	B	C	D	F	H	J	K	L	N
AFM150-1	FM, TA	4.37	4.54	.69	1.54	.47	1.19	M18x1.5	.35	1.00	M8x1.25
150005	*OPTIONAL MOUNTING PLATE FOR AFM150-1										

* - See accessories section for information on optional parts.

SQUEEZE ACTION CLAMPS

This model is designed to be attached by welding the front or top of the base to the work piece. The forged carbon steel jaw moves 90° to completely clear anything that needs to be held. The handle comes equipped with a red embossed handle for comfort. A hex head spindle is provided. A stainless steel version is available.

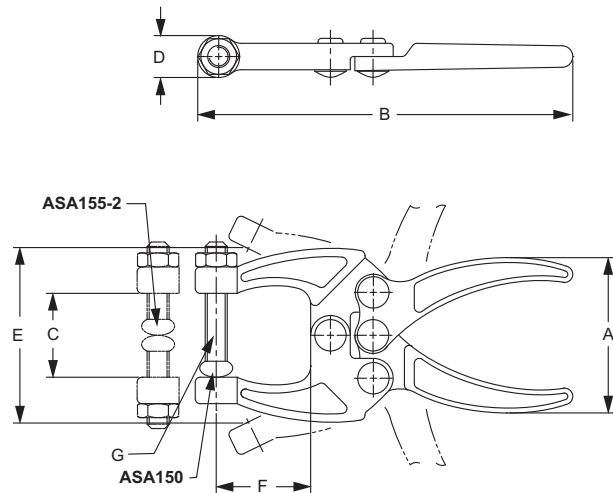
Spindle supplied: 113203
Holding capacity: 880 lbs. Maximum
Plunger travel: 90°
Handle travel: 50°



SERIES ASA2										
P/N	TYPE	A	B	C	D	E	F	G	H	J
ASA2	SA, SP, HD, CH	9.13	2.52	1.77	.75	3.01	1.30	.51	.26	1/2-13

This model is the smallest in our forged steel squeeze action toggle plier line. They have a 1" clamping capacity. The handles have been lengthened for improved gripping and leverage. Accepts all 1/4-20 spindles. ASA150 comes with one spindle and ASA155-2 comes with two spindles.

Spindle supplied: 430208 - ASA150
431208 - ASA155-2
Holding capacity: 200 lbs. Maximum
Clamping range: 1"

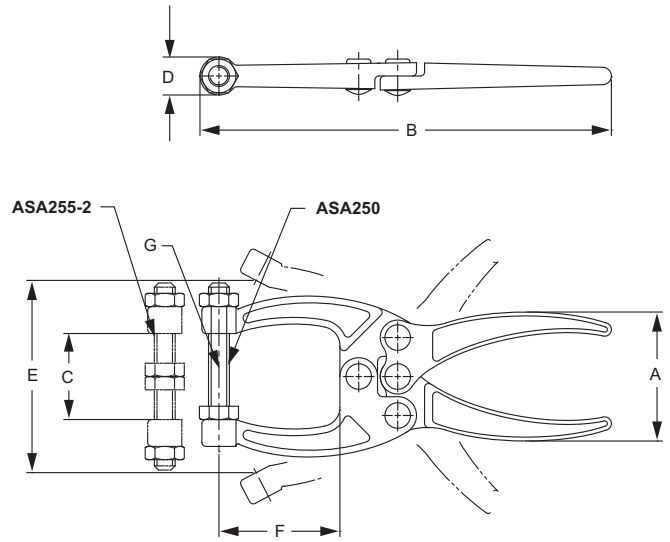


SERIES ASA150								
P/N	TYPE	A	B	C	D	E	F	G
ASA150	SA, SP, CH	1.94	4.47	1.00	.50	2.06	1.13	1/4-20
ASA155-2	SA, DP, CH	1.94	4.47	1.00	.50	2.06	1.13	1/4-20

SQUEEZE ACTION CLAMPS

These toggle pliers offer medium holding and clamping capacity. Our pliers are made with a longer handle than some similar pliers on the market. They are available with vinyl covered handles for holding comfort. Accepts all 5/16-18 spindles. ASA250 comes with one spindle and ASA255-2 comes with two.

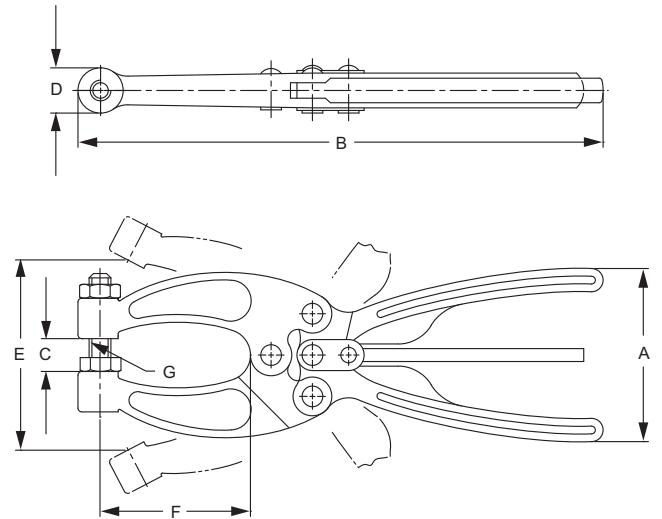
Spindle supplied: 518203 - ASA250
518125 - ASA255-2
Holding capacity: 350 lbs. Maximum
Clamping range: 1-1/4"



SERIES ASA250								
P/N	TYPE	A	B	C	D	E	F	G
ASA250	SA, SP, CH	1.87	6.00	1.25	.50	2.80	1.77	5/16-18
ASA255-2	SA, DP, CH	1.87	6.00	1.25	.50	2.80	1.77	5/16-18

This model is compact sized and has narrow forged steel jaws for applications in confined areas. These pliers have fast open action with a two-way release lever. This model is supplied with a hex-head spindle assembly.

Spindle supplied: 518136
Holding capacity: 700 lbs. Maximum
Clamping range: 1/2"

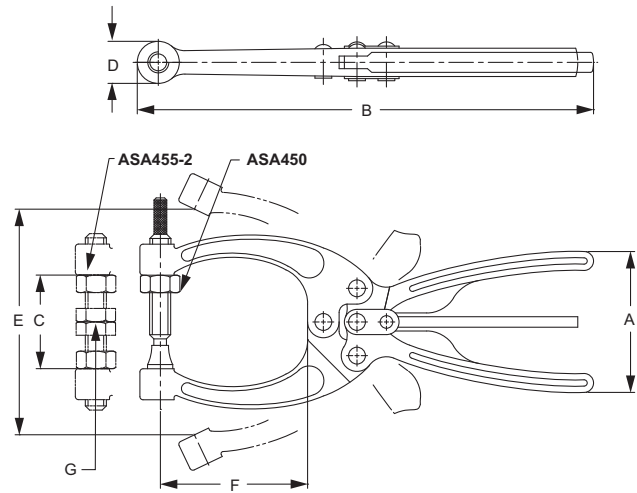


SERIES ASA350								
P/N	TYPE	A	B	C	D	E	F	G
ASA350	SA, SP, CH	2.64	7.99	.50	.69	2.87	2.28	5/16-18

SQUEEZE ACTION CLAMPS

Versatile forged toggle pliers with 1-1/2" max. clamping range. The two-way trigger release is standard. Accepts all 3/8-16 spindles. ASA450 comes with a swivel foot assembly and ASA455-2 comes with two hex-head assemblies.

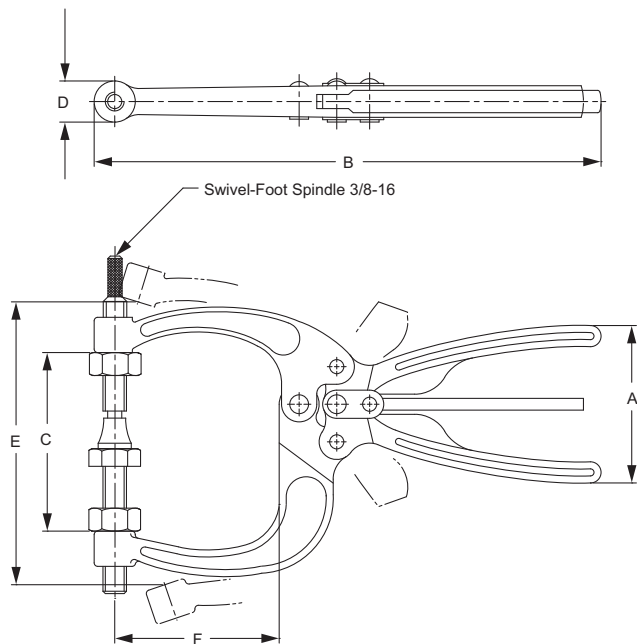
Spindle supplied: 316206 - ASA450
316125 - ASA455-2
Holding capacity: 700 lbs. Maximum
Clamping range: 1-3/4"



SERIES ASA450								
P/N	TYPE	A	B	C	D	E	F	G
ASA450	SA, SP, CH	2.64	8.50	1.75	.69	4.25	2.76	3/8-16
ASA455-2	SA, DP, CH	2.64	8.50	1.75	.69	4.25	2.76	3/8-16

These pliers are similar to the ASA450 models, except have a much wider jaw opening (3"). The two-way trigger release is standard. Accepts all 3/8-16 spindles. Dual spindles are provided for centralizing the work relative to the jaws.

Spindle supplied: 316206 & 316203
Holding capacity: 700 lbs. Maximum
Clamping range: 3" Maximum



SERIES ASA550								
P/N	TYPE	A	B	C	D	E	F	G
ASA550	SA, DP, SH	2.64	8.50	2.99	.69	4.75	2.76	3/8-16

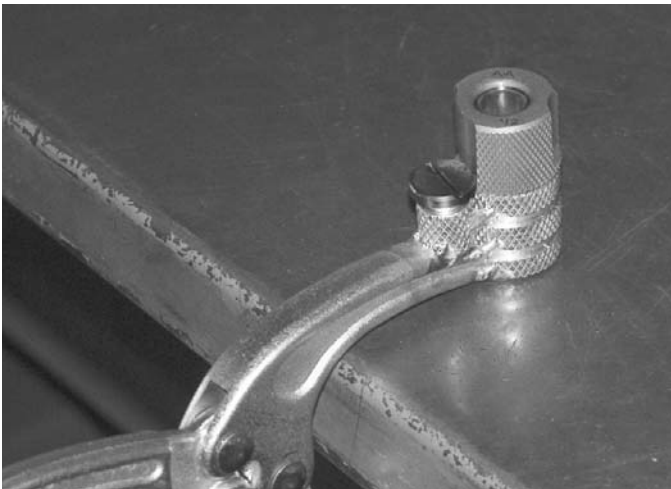
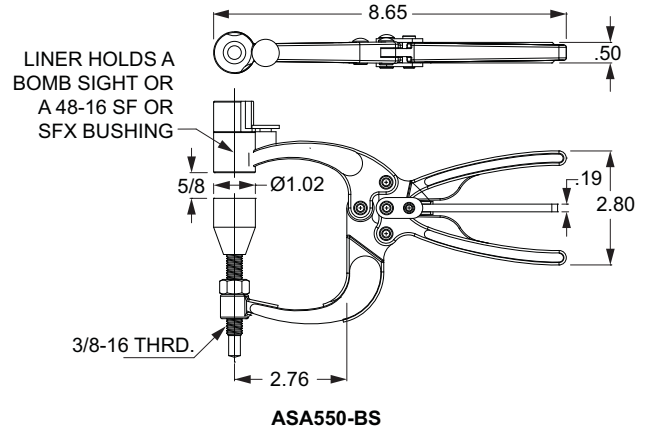
DRILL CLAMP WITH BOMB SIGHT



This clamp from All American is good for quickly and accurately drilling precision holes in flat, irregular or contoured planes. Simplicity, portability and site accessibility saves up to 75% of the operator's time. The model offers maximum safety since the drill can not walk, skip, cause damage to the work piece or injury to the operator. The **All American Bomb Sight** that comes with the clamp is precision manufacture. The 6.0 power magnification optical system is located within a SF-48-16

renewable bushing which fits the liner of the clamp. The cross lines are guaranteed to be within .001" to .003". The surface is slightly recessed to protect against scratching or abrasions. Call factory for additional sizes.

Spindle supplied: 316220
Holding capacity: 500 lbs. Max. on ASA550-BS



With the **Bomb Sight** in the camp, locate the hole scribe, secure the clamp to the workpiece.



Replace the **Bomb Sight** with an All American SF 48-16 Renewable Bushing.



316220: Spindle for ASA550-BS

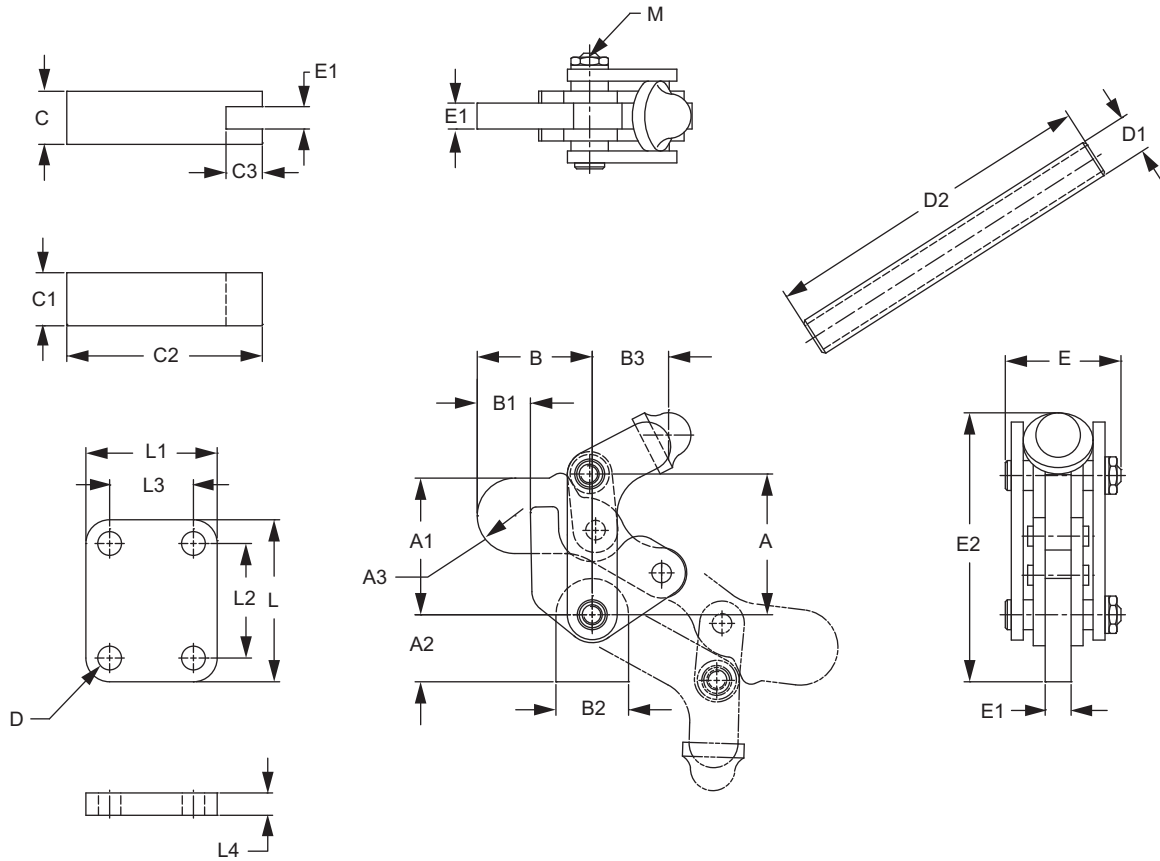
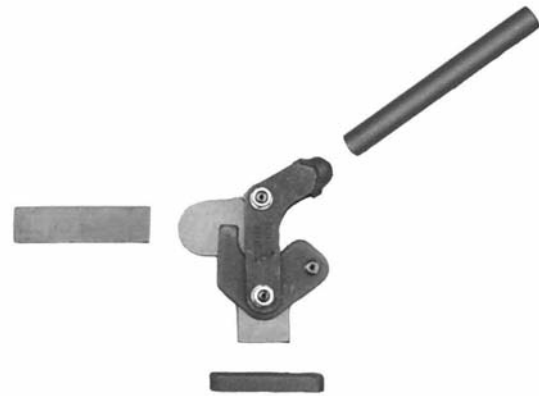


500220: Bomb Sight for ASA550-BS

VARI CLAMPS

This clamp is designed for heavy duty work on an automotive production line. It is furnished complete with a base, arm and handle pipe which can be welded to suit the applications needs. This clamp is made of SS41.

- Holding capacity: 441 lbs. Max. on AVARI NO1
1000 lbs. Max. on AVARI NO2
2200 lbs. Max. on AVARI NO3
- Handle movement: 116° on AVARI NO1
120° on AVARI NO2
120° on AVARI NO3
- Bar movement: 187° on AVARI NO1
190° on AVARI NO2
190° on AVARI NO3



SERIES AVARI NO1, AVARI NO2, AVARI NO3

P/N	TYPE	A	A1	A2	A3	B	B1	B2	B3	C	C1	C2	C3	D	D1	D2	E	E1	E2	L	L1	L2	L3	L4	M
AVARI NO1	S, FB	1.97	1.93	.94	.53	1.62	.75	1.02	1.07	.75	.75	2.76	.51	.33	.54	4.72	1.54	.31	3.79	2.28	1.85	1.61	1.18	.31	M6x1.00
AVARI NO2	S, FB	2.76	2.99	1.26	.89	1.99	.93	1.38	1.28	.98	.98	3.94	.91	.45	.87	5.39	2.28	.51	5.31	3.15	2.36	2.36	1.57	.45	M8x1.25
AVARI NO3	S, FB	3.62	4.25	1.42	1.06	2.24	.94	2.09	1.48	1.10	1.10	4.92	1.10	.53	.87	5.91	2.76	.63	6.47	3.94	3.23	2.95	2.17	.47	M10x1.50

AA TOGGLE CLAMPS

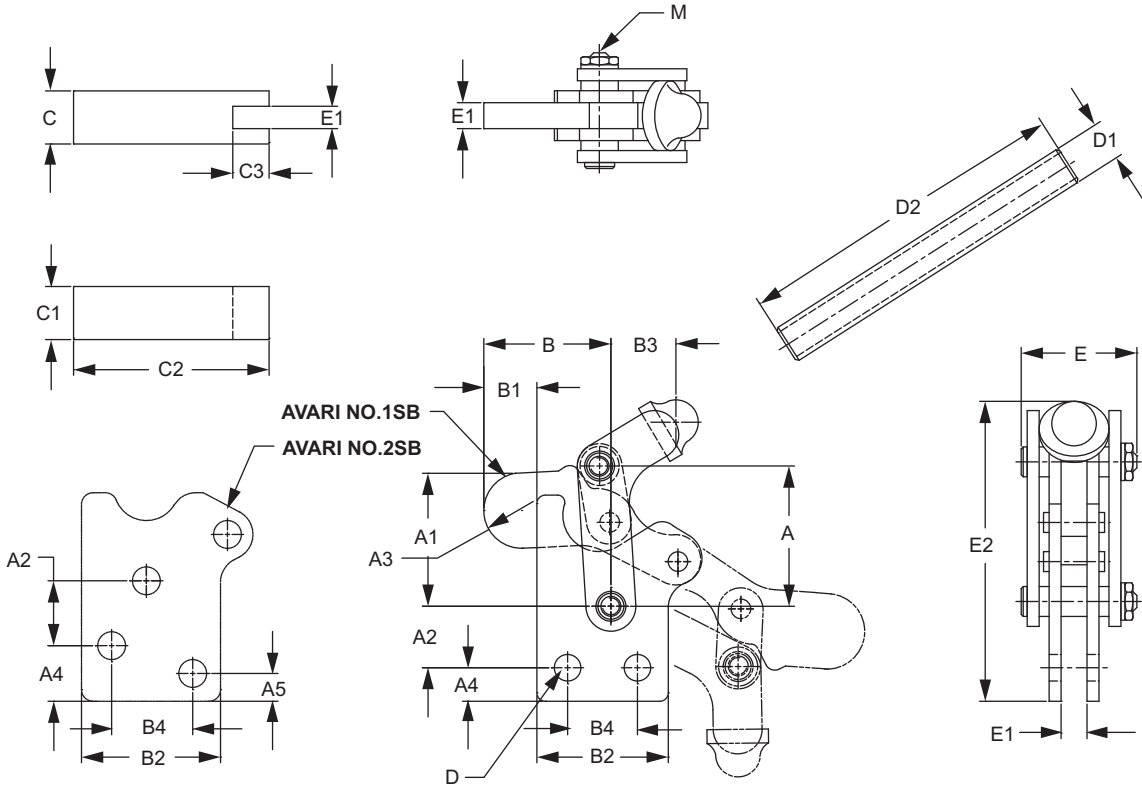
VARI CLAMPS

This clamp is similar to series AVARI NO1 but has a straight base. It is furnished complete with a base, arm and handle pipe which can be welded to suit the applications needs. This clamp is made of SS41.

Holding capacity: 441 lbs. Max. on AVARI NO1SB
1100 lbs. Max. on AVARI NO2SB

Handle movement: 116° on AVARI NO1SB
120° on AVARI NO2SB

Bar movement: 187° on AVARI NO1SB
190° on AVARI NO2SB



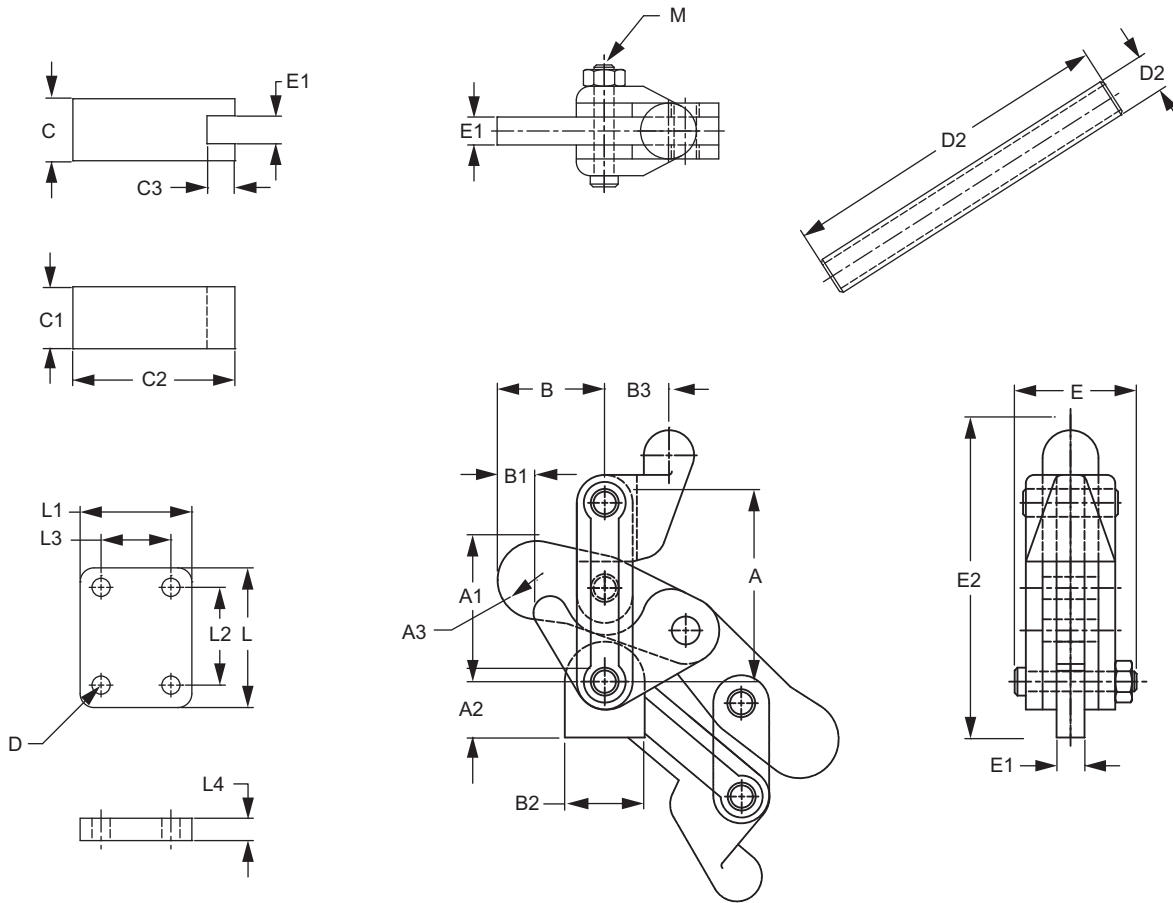
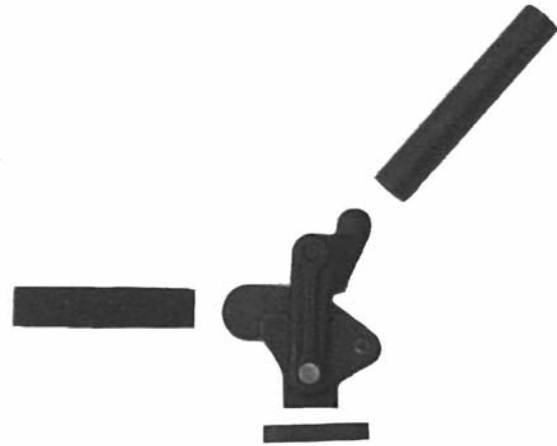
SERIES AVARI NO1SB, AVARI NO2SB

P/N	TYPE	A	A1	A2	A3	A4	A5	B	B1	B2	B3	B4	C	C1	C2	C3	D	D1	D2	E	E1	E2	M
AVARI NO12B	S, SB	1.97	1.88	.87	.53	.47	-	1.79	.75	1.85	.92	.98	.75	.75	2.76	.51	.37	.54	4.72	1.54	.31	4.25	M6x1.00
AVARI NO2SB	S, SB	2.76	2.99	1.10	.89	.94	.47	1.99	.89	2.36	1.28	1.38	.98	.98	3.94	.91	.47	.87	5.39	2.28	.51	6.10	M8x1.25

VARI CLAMPS

This clamp is a larger version of series AVARI NO1. It is designed for extra heavy duty work on an automotive production line. It is furnished complete with a base, arm and handle pipe which can be welded to suit the applications needs. This clamp is made of SS41.

- Holding capacity: 750 lbs. Maxi. on AVARI NO1X
2600 lbs. Maxi. on AVARI NO2X
3000 lbs. Maxi. on AVARI NO3X
- Handle movement: 130° on AVARI NO1X
130° on AVARI NO2X
130° on AVARI NO3X
- Bar movement: 250° on AVARI NO1X
250° on AVARI NO2X
250° on AVARI NO3X



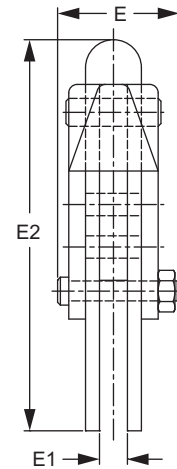
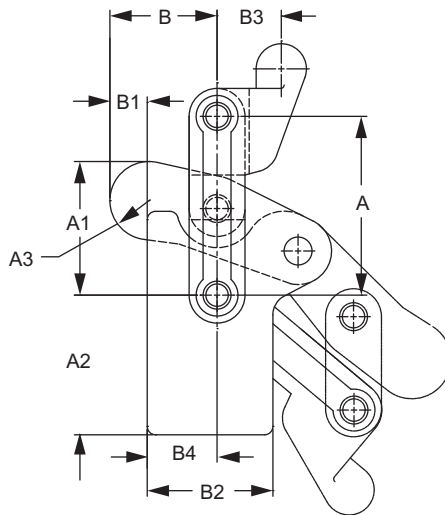
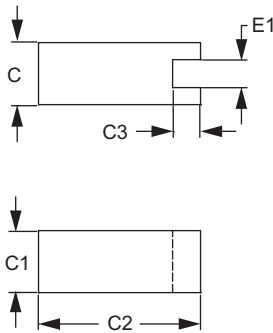
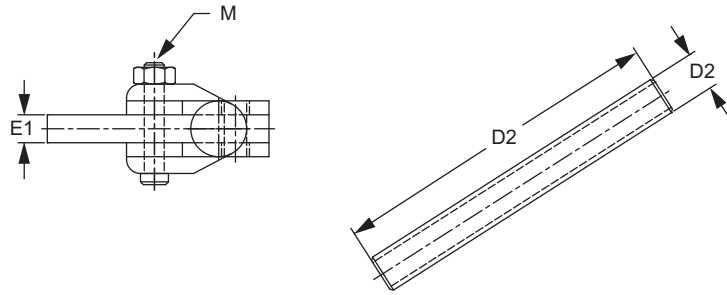
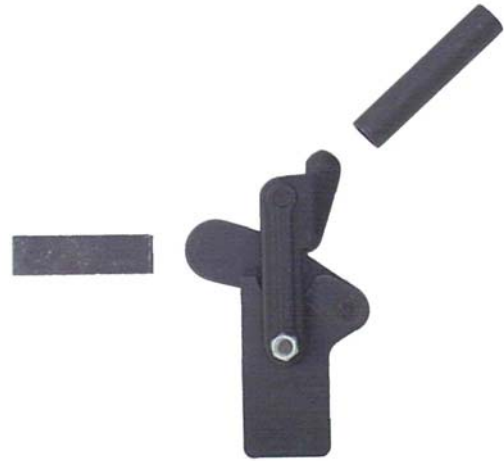
SERIES AVARI NO1X, AVARI NO2X, AVARI NO3X

P/N	TYPE	A	A1	A2	A3	B	B1	B2	B3	C	C1	C2	C3	D	D1	D2	E	E1	E2	L	L1	L2	L3	L4	M
AVARI NO1X	S, FB	1.57	1.29	.39	.39	1.21	.54	.71	.55	.63	.63	1.97	.39	.22	.50	1.97	1.11	.24	2.58	1.38	1.10	.98	.71	.24	M5x.80
AVARI NO2X	S, FB	2.52	1.98	.79	.55	1.51	.50	1.13	.91	.87	.87	2.28	.39	.26	.54	4.72	1.85	.39	4.33	1.97	1.57	1.38	.98	.31	5/16-18
AVARI NO3X	S, FB	3.25	2.87	1.10	.71	2.24	1.04	1.50	1.04	.98	.98	2.83	.59	.33	.87	5.39	2.39	.48	5.41	2.36	1.97	1.57	1.18	.31	3/8-16

VARI CLAMPS

This clamp is similar to series AVARI NO1X but has a straight base. It is furnished complete with a base, arm and handle pipe which can be welded to suit the applications needs. This clamp is made of SS 41.

- Holding capacity: 700 lbs. Maxi. on AVARI NO1-B
2600 lbs. Maxi. on AVARI NO2-B
3000 lbs. Maxi. on AVARI NO3-B
- Handle movement: 130° on AVARI NO1-B
130° on AVARI NO2-B
130° on AVARI NO3-B
- Bar movement: 205° on AVARI NO1-B
205° on AVARI NO2-B
205° on AVARI NO3-B

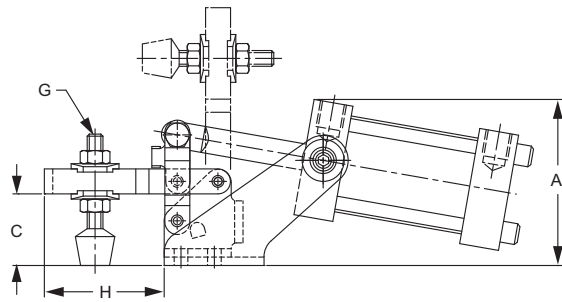
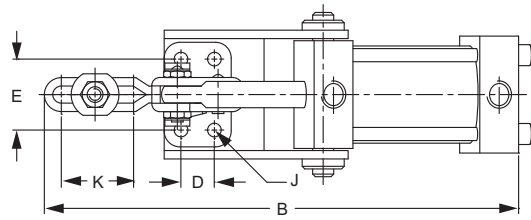


SERIES AVARI NO1-B, AVARI NO2-B, AVARI NO3-B																				
P/N	TYPE	A	A1	A2	A3	B	B1	B2	B3	B4	C	C1	C2	C3	D1	D1	E	E1	E2	M
AVARI NO1-B	S, SB	1.57	1.18	1.18	.39	1.21	.57	1.06	1.23	.59	.63	.63	1.97	.39	.50	1.97	1.11	.24	3.37	M5x.80
AVARI NO2-B	S, SB	2.52	1.88	1.97	.55	1.51	.53	1.77	1.77	.98	.87	.87	2.28	.39	.54	4.72	1.85	.39	5.51	5/16-18
AVARI NO3-B	S, SB	3.25	2.87	2.48	.71	2.24	1.26	1.97	1.77	.98	.98	.98	2.83	.59	.87	5.39	2.39	.48	6.79	3/8-16

AIR CLAMPS

This model is the smallest hold down air clamp that can be used to increase productivity. The U-bar allows the spindle position to be adjustable. The clamping action on this model is operated by air cylinder instead of by hand. Supplied with spindle assembly and two flange washers. For a model with a magnetic switch, add "SWT" to the name example, **AAC250-SWT**.

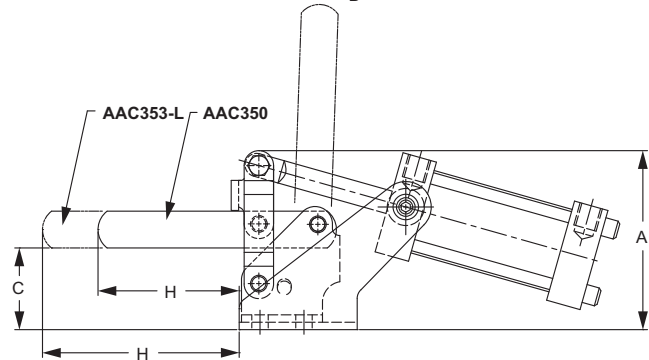
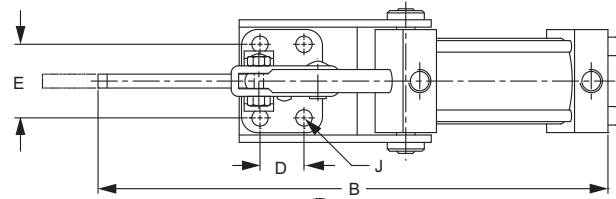
Spindle supplied: 240208
Holding capacity: 200 lbs.
Bar moves: 90°
Port size: 1/8 NPT



SERIES AAC250										
P/N	TYPE	A	B	C	D	E	G	H	J	K
AAC250	AC, U	2.48	7.11	1.06	.50	1.06	1/4-20	1.73	.20	1.08

This model is a medium size hold down air clamp which comes in either a standard length solid bar or a long solid bar. Supplied with a bolt retainer and spindle assembly. For a model with a magnetic switch, add "SWT" to the name example, **AAC350-SWT**.

Spindle supplied: 518208
Holding capacity: 496 lbs. Maximum on AAC350
245 lbs. Maximum on AAC353-L
Bar moves: 92°
Port size: 1/8 NPT



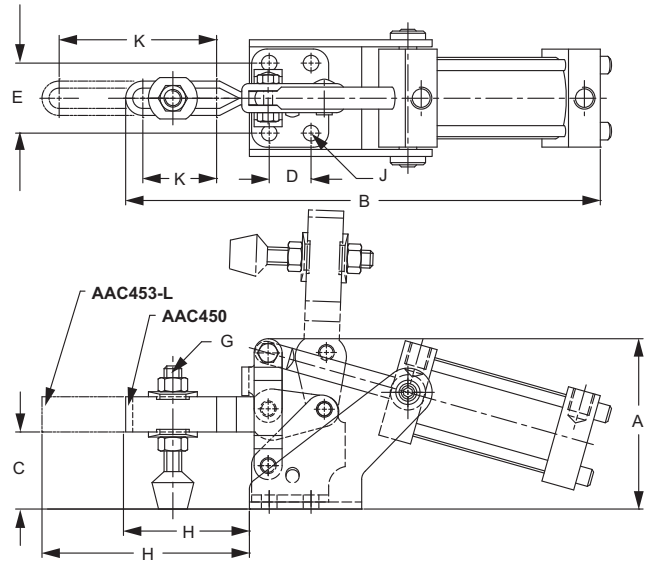
SERIES AAC350, AAC353-L									
P/N	TYPE	A	B	C	D	E	H	J	SPINDLE
AAC350	AC, S	3.04	8.66	1.38	.75	1.25	2.40	.28	5/16-18
AAC353-L	AC, S, L	3.04	9.62	1.38	.75	1.25	3.35	.28	5/16-18

AIR CLAMPS

This model is similar to model AAC350 but has an u-bar. A standard length and a long length u-bar is available. The clamping action on these models are operated by air cylinder instead of by hand. Supplied with spindle assembly and two flanged washers.

For a model with a magnetic switch, add "SWT" to the name example, **AAC450-SWT**.

- Spindle supplied: 518208
- Holding capacity: 496 lbs. Maximum on AAC450
220 lbs. Maximum on AAC453-L
- Bar moves: 92°
- Port size: 1/8 NPT



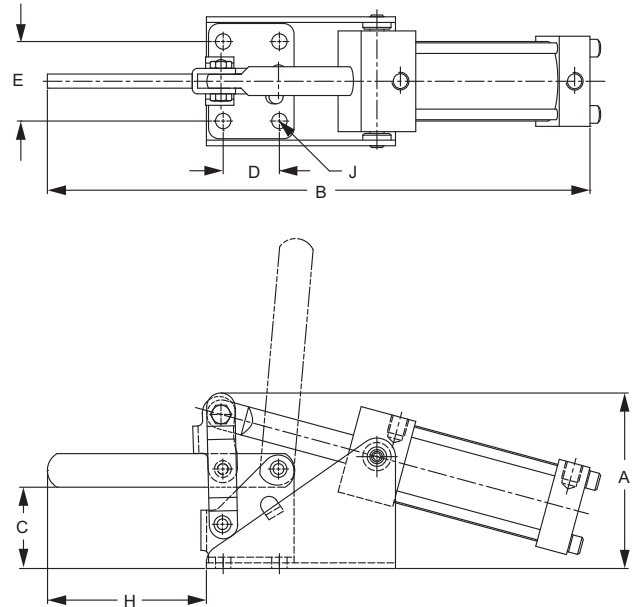
SERIES AAC450, AAC453-L

P/N	TYPE	A	B	C	D	E	G	H	J	K
AAC450	AC, U	3.05	8.49	1.38	.75	1.25	5/16-18	2.21	.28	1.32
AAC453-L	AC, U, L	3.05	9.98	1.38	.75	1.25	5/16-18	3.71	.28	2.81

This model is a large size hold down air clamp which comes in with a long solid bar. Supplied with a bolt retainer and spindle assembly.

For a model with a magnetic switch, add "SWT" to the name example, **AAC550-SWT**.

- Spindle supplied: 316208
- Holding capacity: 750 lbs. Maximum
- Bar moves: 95°
- Port size: 1/8 NPT



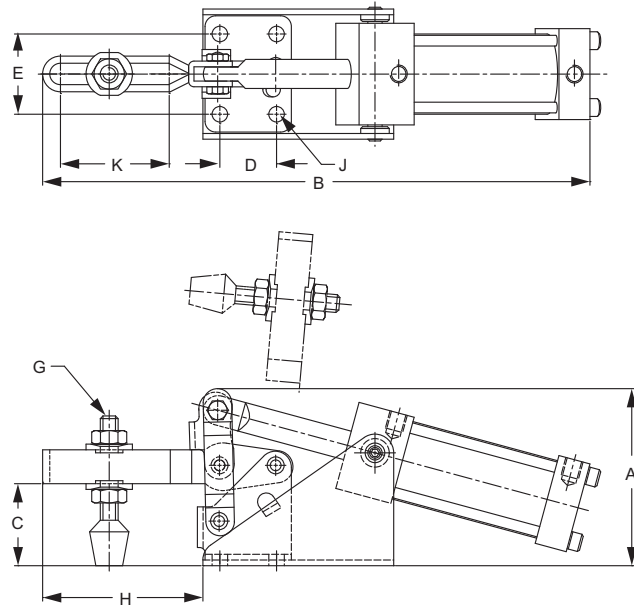
SERIES AAC550

P/N	TYPE	A	B	C	D	E	H	J	SPINDLE
AAC550	AC, S, L	3.82	12.09	1.81	1.25	1.77	3.54	.34	3/8-16

AIR CLAMPS

This model is similar to model AAC550 but with an u-bar that allows the spindle position to be adjusted. Supplied with spindle assembly and two flange washers. For a model with a magnetic switch, add "SWT" to the name example, **AAC650-SWT**.

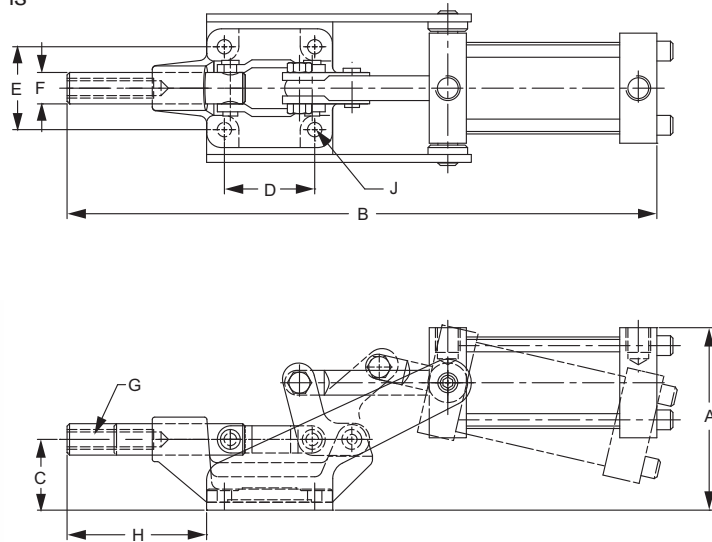
Spindle supplied: 316208
Holding capacity: 600 lbs. Maximum
Bar moves: 95°
Port size: 1/8 NPT



SERIES AAC650										
P/N	TYPE	A	B	C	D	E	G	H	J	K
AAC650	AC, U	3.82	12.09	1.81	1.25	1.77	3/8-16	3.54	.34	2.40

This model is the smallest size of straight line action air clamp. Although similar to model ASL100, the action is controlled by an air cylinder and not by hand. For a model with a magnetic switch, add "SWT" to the name example, **AAC100-SL-SWT**.

Holding capacity: 600 lbs. Maximum
Plunger travel: .75
Port size: 1/8 NPT



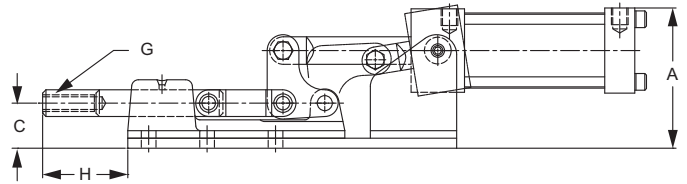
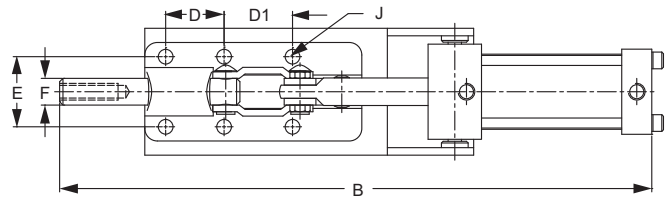
SERIES AAC100-SL										
P/N	TYPE	A	B	C	D	E	F	G	H	J
AAC100-SL	AC, TA	2.90	9.39	1.13	1.44	1.32	.50	5/16-18	2.22	.23

AIR CLAMPS



This model is a large size of straight line action air clamp. Although similar to model ASL350, the action is controlled by an air cylinder and not by hand. For a model with a magnetic switch, add "SWT" to the name example, **AAC350-SL-SWT**.

Holding capacity: 2400 lbs. Maximum
Plunger travel: 1.26
Port size: 1/8 NPT



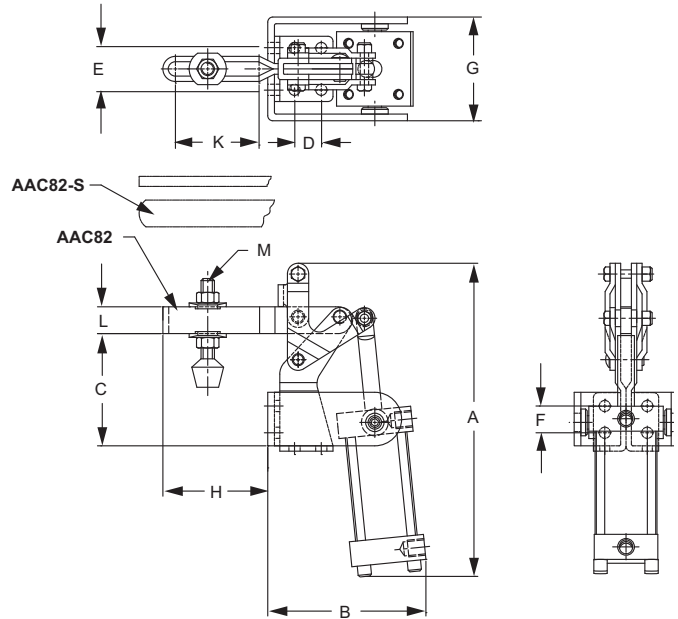
SERIES AAC350-SL

P/N	TYPE	A	B	C	D	D1	E	F	G	H	J
AAC350-SL	AC, TA	3.31	13.96	1.06	1.38	1.61	1.65	.63	3/8-16	2.00	.35



This air clamp is similar to ANO82, the action is controlled by an air cylinder and not by hand. It has two mounting areas, horizontal and vertical surfaces. The u-bar version is furnished with two flanged washers and spindle assemblies. The solid bar version is supplied with a bolt retainer and a spindle assembly. For a model with a magnetic switch, add "SWT" to the name example, **AAC82-SWT**.

Spindle supplied: 518208
Holding capacity: 351 Lbs. Maximum
Bar moves: 90°
Port size: 1/8 NPT

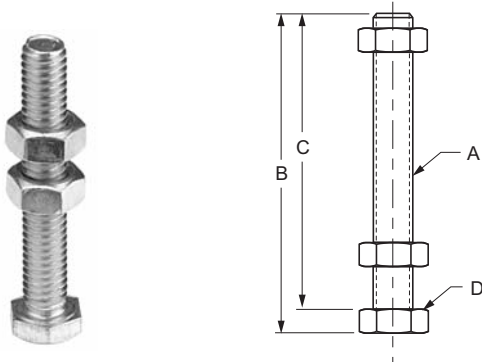


SERIES AAC82, AAC82-S

P/N	TYPE	A	B	C	D	E	F	G	H	J	K	M
AAC82	AC, U	7.37	3.72	2.64	.63	1.00	.63	2.47	2.45	.26	1.97	5/16-18
AAC82-S	AC, S	7.37	3.72	264	.63	1.00	.63	2.47	2.45	.26	-	5/16-18



The hex head spindle assembly is for heavy duty applications. A replaceable slip-on neoprene cap can be added to the hex head to give it a cushion surface.



HEX HEAD SPINDLE ASSEMBLY - METRIC					
P/N	DIMENSIONS				
	A	B	C	D	
832203-M	M4	21	18.5	6	
407203-M	M4	27	24	6	
420125-M	M6	54	50	10	
518136-M	M8	30	25	12	
518125-M	M8	35	30	12	
518203-M	M8	50	45	12	
518205-M	M8	55	50	12	
518207-M	M8	70	65	12	
316125-M	M10	39	33	14	
316203-M	M10	77	71	14	
113203-M	M12	68	60	19	

STAINLESS STEEL HEX HEAD SPINDLE ASSEMBLY - METRIC					
P/N	DIMENSIONS				
	A	B	C	D	
832203-2SM	M4	23	20	6	
508203-2SM	M5	28.7	25	8	
420136-2SM	M6	44	40	10	
518205-2SM	M8	55.6	50	12	

HEX HEAD SPINDLE ASSEMBLY - INCH					
P/N	DIMENSIONS				
	A	B	C	D	MOD/N
832203	#8-32 (NYLON)	.81	.69	.25	AHH150, AHH250, ASL10, ASL10-2S, ASL07
423203	1/4-20	1.91	1.75	.44	-
420125	1/4-20	2.13	2.00	.44	ANO38B(S), ANO38S(S)
425203	1/4-20	3.16	3.00	.44	-
518136	5/16-18	1.19	1.00	.50	ASA350, ANO51, ASL241-B, ASL251-B
518125	5/16-18	1.44	1.25	.50	ASA255-2
518203	5/16-18	2.00	1.75	.50	ASA250
518205	5/16-18	2.72	2.50	.50	ANO42A, ANO42K, ANO42P, ANO42S, ANO38B(L), ANO38S(L)
316125	3/8-16	1.50	1.25	.56	ASA455-2
316203	3/8-16	3.00	2.75	.56	ASA550
319203	3/8-16	4.25	4.00	.56	-
320203	3/8-16	5.25	5.00	.56	-
113203	1/2-13	2.69	2.38	.75	ASA2

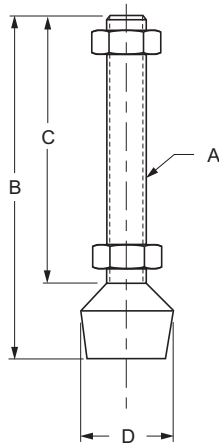
STAINLESS STEEL HEX HEAD SPINDLE ASSEMBLY - INCH					
P/N	DIMENSIONS				
	A	B	C	D	MOD/N
508208-2S	10-32	1.12	1.00	.31	AHH300-2S
420136-2S	1/4-20	1.63	1.50	.44	AHH350-2S, AHH400-2S
518205-2S	5/16-18	2.22	2.00	.50	AHV450-2S, AHV455-22, ANO42A-2S, ANO42K-2S



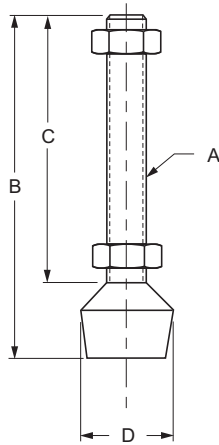
316220: Spindle for ASA550-BS



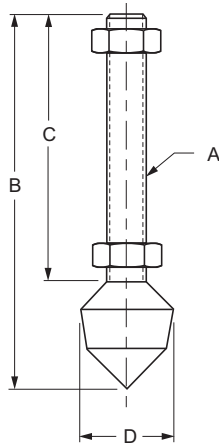
500220: Bomb Sight for ASA550-BS



FLAT TIPPED SPINDLE ASSEMBLY - INCH					
P/N	DIMENSIONS				MOD/N
	A	B	C	D	
417208	8-32	1.00	.63	.56	-
833208	8-32	1.25	.88	.56	-
508208	10-32	1.34	1.00	.56	AHH300, AHV200
421208	1/4-20	1.00	.63	.66	-
422209	1/4-20	1.50	1.13	.66	-
422208	1/4-20	1.63	1.13	.66	-
420208	1/4-20	1.94	1.36	.66	AHH350, AHH350-S, AHH400, AHV250, AHV250-U, AAC250
825208	5/16-18	1.73	1.38	.66	HV300
518208	5/16-18	2.50	1.81	.75	AHH450, AHH450-RL, AHH500, AHV350, AHV450, AAC350, AAC450, AUF450, ASF450, AHV450-F, AN082, AN082-S, AAC353-L, AAC453-L, AAC82
520208	5/16-18	3.00	2.25	.75	-
105208	3/8-16	2.64	2.13	.87	AHV400
316208	3/8-16	3.25	2.25	.90	AHH550, AHH600, AHV550, AHV650, AAC550, AAC650, AHH550-RL
317208	3/8-16	3.50	2.50	.88	-
318208	3/8-16	5.75	4.75	.88	-
116208	1/2-13	4.00	2.69	1.13	-
511208	5/8-11	5.00	3.63	1.38	-

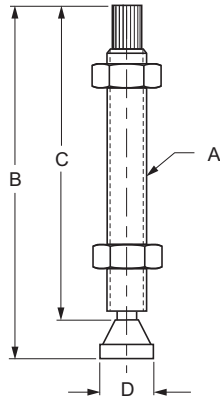


FLAT TIPPED SPINDLE ASSEMBLY - METRIC				
P/N	DIMENSIONS			
	A	B	C	D
833208-M	M4	31.75	25.40	14.20
508208-M	M5	34.00	24.40	14.20
422208-M	M6	43.90	31.75	16.80
420208-M	M6	55.60	42.10	16.80
518208-M	M8	65.60	46.45	19.00
508208-M	M8	77.70	58.70	19.00
316208-M	M10	83.50	58.10	22.35
318208-M	M10	149.40	124.00	22.35
417208-M	M4	21.80	14.70	14.20
825208-M	M8	44.00	35.00	16.80
105208-M	M10	67.00	54.00	22.00



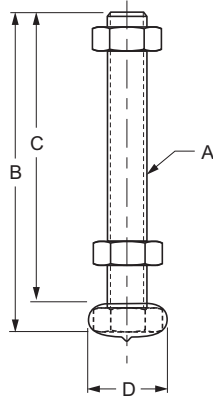
CONE TIPPED BONDED SPINDLE ASSEMBLY - INCH				
P/N	DIMENSIONS			
	A	B	C	D
509210	10-32	1.44	1.00	.56
420210	1/4-20	2.13	1.50	.75
520210	5/16-18	2.94	2.25	.75
521210	5/16-18	5.38	4.69	.75
316210	3/8-16	2.88	2.00	.88
317210	3/8-16	3.44	2.56	.88

The swivel pad spindle assembly has a large flat contact surface. The floating pad can swivel 12 degrees in each direction to accommodate an unlevel surface.



SWIVEL FOOT SPINDLE ASSEMBLY - INCH					
P/N	DIMENSIONS				
	A	B	C	D	MOD/N
420206	1/4-20	2.38	2.00	.50	-
518234	5/16-18	2.73	2.34	.55	-
518206	5/16-18	2.75	2.32	.56	-
316206	3/8-16	3.13	2.66	.63	ASA450, ASA550
317206	3/8-16	3.38	2.95	.63	-
113206	1/2-13	4.63	4.07	1.00	-

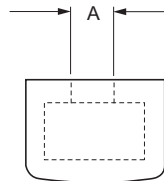
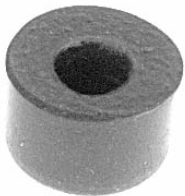
SWIVEL FOOT SPINDLE ASSEMBLY - METRIC				
P/N	DIMENSIONS			
	A	B	C	D
316206-M	M10	77.60	65.60	16



VINYL COATED HEX-HEAD SPINDLE ASSEMBLY - INCH					
P/N	DIMENSIONS				
	A	B	C	D	MOD/N
832208	8-32	1.19	.94	.34	AHV150
430208	1/4-20	1.53	1.19	.56	ASA150
431208	1/4-20	1.22	.88	.56	ASA155-2

VINYL COATED HEX-HEAD SPINDLE ASSEMBLY - METRIC				
P/N	DIMENSIONS			
	A	B	C	D
832208-M	M4	30	23.0	8.5
430208-M	M6	35	28.4	14.0
431208-M	M10	31	22.0	16.0

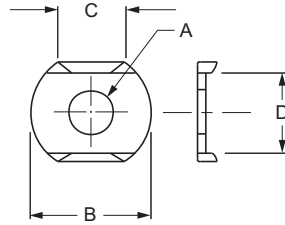
These are Neoprene slip-on caps for hex head spindles. Large contact area.



NEOPRENE CAPS FPR HEX HEAD SPINDLES	
P/N	DIMENSIONS
	A
420209	1/4
332209	5/16
316209	3/8

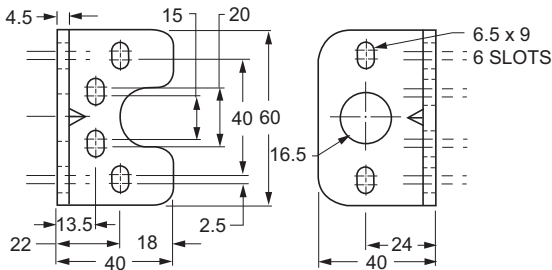
SPECIAL NEOPRENE CAPS FOR PLAIN SPINDLE	
P/N	DIMENSIONS
	A
608209	11/32
708209	7/32

Two washers are supplied with U-bar type toggle clamps.

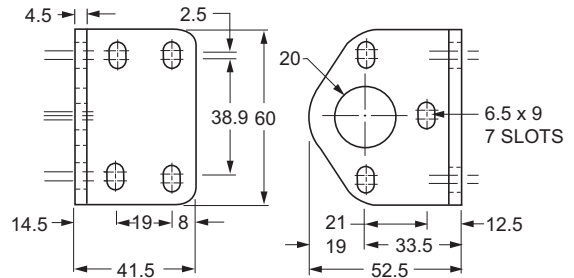


FLANGED WASHERS - STAINLESS STEEL					
P/N	DIMENSIONS				
	A	B	C	D	
832106-2S	#8	.44	.19	.38	AHH250-2S
832111-2S	#8	.56	.19	.38	AHV150-2S
508107-2S	#10	.56	.22	.44	AHV200-2S, AHH300-2S
420111-2S	1/4	.69	.25	.50	AHV250-U2B, AAC250-2S
420105-2S	1/4	.72	.28	.47	AHH350-2S, AHH400-2S, AHH401-B2S
420106-2S	1/4	.81	.25	.61	ANO38B(S)-2S, ANO38S(S)-2S
518105-2S	5/16	.64	.33	.69	ANO42A-2S, ANO42-2S KANO42P-2S, ANO42S-2S
518107-2S	5/16	.88	.33	.63	AHH450-2S, AHH500-2S, AHV450-2S, ANO82-2S, AUF450-2S, AAC450-2S, AAC453-L2S, AHV300-2S

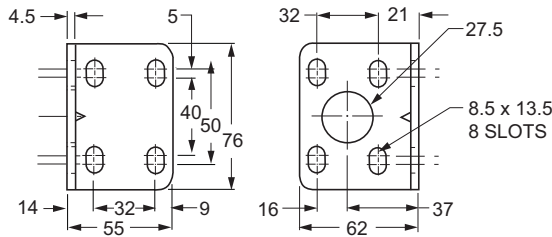
FLANGED WASHERS					
P/N	DIMENSIONS				
	A	B	C	D	MOD/N
832106	#8	.44	.19	.38	AHH250
832111	#8	.56	.19	.38	AHV150
508107	#10	.56	.22	.44	AHV200, AHH300
420111	1/4	.69	.25	.50	AHV250-U, AAC250
420105	1/4	.72	.28	.47	AHH350, AHH400, AHH401-B
420106	1/4	.81	.25	.61	ANO38B(S), ANO38S(S)
518105	5/16	.64	.33	.69	ANO42A, ANO42K, ANO42P, ANO42S
518107	5/16	.88	.33	.63	AHH450, AHH450-RL, AHH500, AHV450, ANO82AUF450, AHV450-F, AAC450, AAC453-L, AHV300
518111	5/16	1.00	.34	.78	ANO38B(L), ANO38S(S)
316106	3/8	1.03	.41	.83	AHH550, AHH550-RL, AHV650, AAC650, AHH600, AHV400
113106	1/2	1.25	.53	.94	AHV850
511106	5/8	1.44	.69	1.13	AHV1050



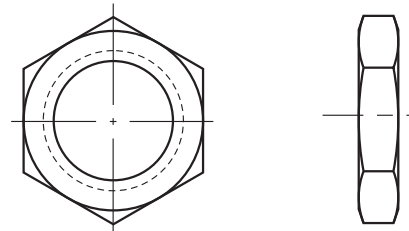
OPTIONAL MOUNTING PLATE	
P/N	TYPE
500005	OPTIONAL MOUNTING PLATE FOR AFM50



OPTIONAL MOUNTING PLATE	
P/N	TYPE
150005	OPTIONAL MOUNTING PLATE FOR AFM150, AFM150-1



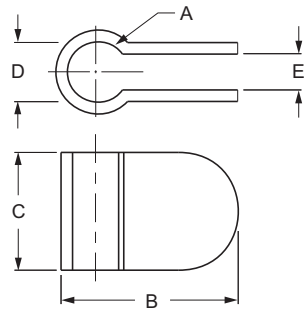
OPTIONAL MOUNTING PLATE	
P/N	TYPE
250005	OPTIONAL MOUNTING PLATE FOR AFM250



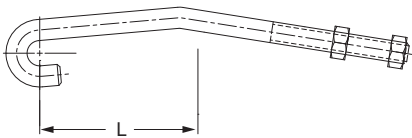
JAM NUTS	
P/N	DIMENSIONS
	MOD/N
500006	AFM50
150006	AFM150
150106	AFM150-1
250006	AFM250

ACCESSORIES

One bolt retainer supplied with solid bar type toggle clamp.



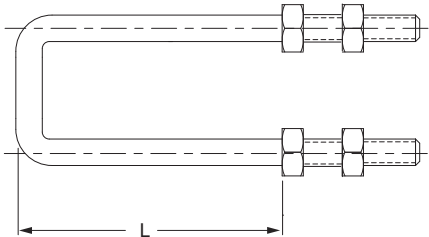
BOLT RETAINER					
P/N	DIMENSIONS				
	A	B	C	D	E
420000	1/4	1.25	.50	.16	.28
518000	5/16	1.30	.63	.25	.33
316000	3/8	1.84	.75	.33	.53
113000	1/2	1.50	.88	.36	.56
511000	5/8	1.72	1.25	.36	.64



J HOOK - INCH	
P/N	DIMENSIONS
	MOD/N
120002	APA50
518002	APA250
316002	APA270
113002	APA350

OPTIONAL J HOOK - METRIC					
P/N	DIMENSIONS				
	L	P/N	L	P/N	L
81-315A	25mm	81-315B	50mm	81-315C	100mm
81-3151A	25mm	81-3151B	50mm	81-3151C	100mm
81-3152A	25mm	81-3152B	50mm	81-3152C	100mm
81-3153A	25mm	81-3153B	50mm	81-3153C	100mm
81-3154A	25mm	81-3154B	50mm	81-3154C	100mm

J HOOK - INCH - STAINLESS STEEL	
P/N	DIMENSIONS
	MOD/N
120002-2S	APA50-2S
518002-2S	APA250-2S
316002-2S	APA270-2S
113002-2S	APA350-2S

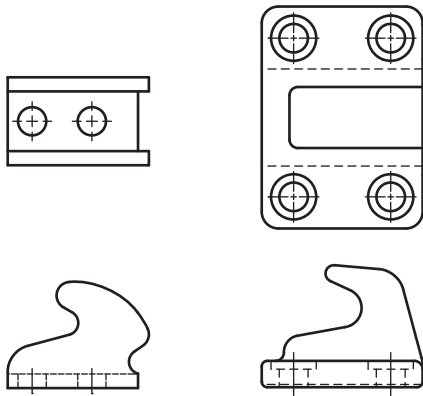


ADJUSTABLE U-BOLT ASSEMBLIES			
P/N	DIMENSIONS		
	MOD/N	P/N	MOD/N
455003	AFA100	314503	AFA600, AFA601-B
480003	AFA130	114503	AFA700
576003	AFA200	485003	AFA102, AFA140
611003	AFA230	611303	AFA202, AFA240
811303	AFA300	612703	AFA202 - 5"
815103	AFA330	815003	AFA302, AFA340

OPTIONAL ADJUSTABLE U-BOLT ASSEMBLIES - METRIC					
P/N	DIMENSIONS				
	L	P/N	L	P/N	L
82-001A	25mm	82-001B	50mm	82-001C	100mm
82-002A	25mm	82-002B	50mm	82-002C	100mm
82-003A	25mm	82-003B	50mm	82-003C	100mm
82-004A	25mm	82-004B	50mm	82-004C	100mm
82-005A	25mm	82-005B	50mm	82-005C	100mm
82-006A	25mm	82-006B	50mm	82-006C	100mm
82-007A	25mm	82-007B	50mm	82-007C	100mm
82-008A	25mm	82-008B	50mm	82-008C	100mm

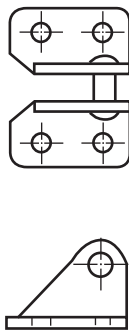
ADJUSTABLE U-BOLT ASSEMBLIES STAINLESS STEEL			
P/N	DIMENSIONS		
	MOD/N	P/N	MOD/N
455003-2S	AFA100-2S	815103-2S	AFA330-2S
480003-2S	AFA130-2S	485003-2S	AFA102-2S, AFA140-2S
576003-2S	AFA200-2S	611303-2S	AFA202-2S, AFA240-2S
611003-2S	AFA230-2S	815003-2S	AFA302-2S, AFA340-2S
811303-2S	AFA300-2S		

AA TOGGLE CLAMPS



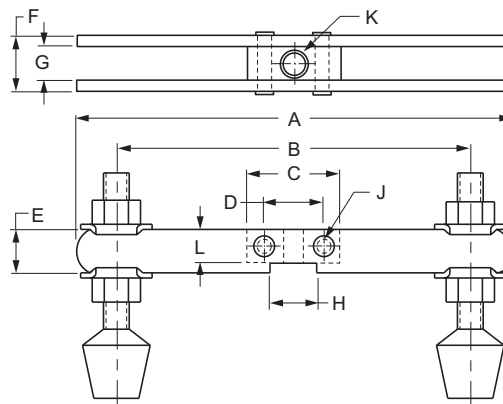
U-BOLT LATCH PLATES			
P/N	DIMENSIONS		
	MOD/N	P/N	MOD/N
100001	AFA100	601001	AFA601-B
130001	AFA130	102001	AFA102, AFA140
200001	AFA200	202001	AFA202, AFA240
230001	AFA230	302001	AFA302, AFA340
300001	AFA300	600001	AFA600, AFA700
330001	AFA330		

STAINLESS STEEL U-BOLT LATCH PLATES			
P/N	DIMENSIONS		
	MOD/N	P/N	MOD/N
100001-2S	AFA100-2S	300001-2S	AFA300-2S
130001-2S	AFA130-2S	601001-2S	AFA601-B2S
200001-2S	AFA200-2S	102001-2S	AFA102-2S, AFA140-2S
230001-2S	AFA230-2S	202001-2S	AFA202-2S, AFA240-2S



J-HOOK LATCH PLATES			
P/N	DIMENSIONS		
	MOD/N	P/N	MOD/N
500001	APA50	270001	APA270
250001	APA250	350000	APA350

STAINLESS STEEL J-HOOK LATCH PLATES			
P/N	DIMENSIONS		
	MOD/N	P/N	MOD/N
500001-2S	APA50-2S	250001-2S	APA250-2S



CROSSED BARS												
P/N	DIMENSIONS											
	A	B	C	D	E	F	G	H	J	K	L	MOD/N
450004	4.92	3.94	1.02	.70	.47	.63	.38	.64	.16	M8	.35	AHH450, AHV450, AUF450, AN082
650004	6.30	5.12	1.34	.87	.63	.81	.49	.83	.20	M10	.47	AHH600, AHH550, AHV650

CROSS REFERENCE

CROSS REFERENCE		
AA TOGGLE CLAMPS	DE-STA-CO	CARR LANE
AHH150	205-S	CL-150-HTC
AHH150-2S	205-SSS	CL-150-HTC-S
AHH151-B	205-SB	CL-151-HTC
AHH151-B2S	205-SBSS	-
AHH154-LE	205-SL	CL-153-HTC
AHH155-R	205-SR	CL-152-HTC
AHH250	205-U	CL-250-HTC
AHH250-2S	205-USS	CL-250-HTC-S
AHH251-B	205-UB	CL-251-HTC
AHH251-B2S	205-UBSS	-
AHH254-LE	205-UL	CL-253-HTC
AHH255-R	205-UR	CL-252-HTC
AHH300	213-U	CL-260-HTC
AHH300-2S	213-USS	CL-260-HTC-S
AHH301-B	213-UB	-
AHH301-B2S	-	-
AHH350	215-U	CL-350-HTC
AHH350-2S	215-USS	CL-350-HTC-S
AHH351-B	215-UB	CL-351-HTC
AHH351-B2S	215-UBSS	-
AHH350-S	215-S	CL-300-HTC
AHH351-SB	215-SB	-
AHH400	217-U	-
AHH400-2S	217-USS	-
AHH401-B	217-UB	-
AHH401-B2S	-	-
AHH450	225-U	CL-450-HTC
AHH450-2S	225-USS	CL-450-HTC-S
AHH450-RL	225-UR	CL-450-LHTC
AHH451-B	225-UB	CL-451-HTC
AHH451-B2S	225-UBSS	-
AHH500	227-U	-
AHH500-2S	227-USS	-
AHH501-B	227-UB	-
AHH501-B2S	-	-
AHH550	235-U	CL-550-HTC
AHH550-RL	235-UR	CL-550-LHTC
AHH551-B	-	CL-551-HTC
AHH551-BN	235-UB	-
AHH600	237-U	-
AHH601-B	237-UB	-
AHV150	201-U	CL-150-VTC
AHV150-2S	201-USS	CL-151-VTC-S
AHV151-B	201-UB	CL-151-VTC
AHV151-B2S	201-UBSS	-
AHV151-BT	201-TUB	-
AHV152-T	201-TU	CL-152-VTC
AHV153-XL	-	-
AHV200	305-U	CL-200-VTC
AHV200-2S	305-USS	CL-200-VTC-S
AHV200-RL	305-UR	-
AHV250	202	CL-250-VTC
AHV250-2S	202-SS	CL-250-VTC-S
AHV251-B	202-B	CL-251-VTC
AHV251-B2S	202-BSS	-
AHV251-BT	202-TB	-
AHV252-T	202-T	CL-252-VTC
AHV250-U	202-U	-
AHV250-U2S	202-USS	-
AHV251-UB	202-UB	-
AHV251-UBT	202-TUB	-

CROSS REFERENCE - CONT		
AA TOGGLE CLAMPS	DE-STA-CO	CARR LANE
AHV252-UT	202-TU	-
AHV253-UL	202-UL	CL-253-VTC
AHV253-UL2S	-	CL-253-VTC-S
AHV300	307-U	CL-300-VTC
AHV300-2S	307-USS	-
AHV300-RL	307-UR	CL-300-LVTC
AHV350	207-S	CL-350-VTC
AHV351-B	207-SB	CL-351-VTC
AHV351-BT	207-TSB	-
AHV351-BL	207-LB	-
AHV351-BTL	207-TLB	-
AHV352-T	207-TS	CL-352-VTC
AHV352-TL	207-TL	-
AHV353-L	207-L	CL-353-VTC
AHV400	309-U	CL-500-VTC
AHV400-2S	309-USS	-
AHV400-RL	309-UR	CL-500-LVTC
AHV450	207-U	CL-450-VTC
AHV450-2S	207-USS	CL-450-VTC-S
AHV451-B	207-UB	CL-451-VTC
AHV451-B2S	207-UBSS	-
AHV451-BT	207-TUB	-
AHV451-BL	207-ULB	-
AHV451-BTL	207-TULB	-
AHV452-T	207-TU	CL-452-VTC
AHV452-TL	207-TUL	-
AHV453-L	207-UL	CL-453-VTC
AHV453-XL	-	-
AHV550	210-S	CL-550-VTC
AHV551-B	210-SB	CL-551-VTC
AHV551-BT	210-TSB	-
AHV552-T	210-TS	CL-552-VTC
AHV650	210-U	CL-650-VTC
AHV651-B	210-UB	CL-651-VTC
AHV651-BT	210-TUB	-
AHV652-T	210-TU	CL-652-VTC
AHV750	247-S	CL-750-VTC
AHV751-B	247-SB	CL-751-VTC
AHV850	247-U	CL-850-VTC
AHV851-B	247-UB	CL-851-VTC
AHV950	267-S	CL-950-VTC
AHV951-B	267-SB	-
AHV1050	267-U	CL-1050-VTC
AHV1050-B	267-UB	-
AHV270-F	-	-
ASF350	207-SF	-
AUF450	207-UF	-
AN002	-	-
AN082	317-U	CL-475-HTC
AN082-S	317-S	CL-375-HTC
AN038B(S)	-	-
AN038S(S)	-	-
AN038B(L)	-	-
AN038S(L)	-	-
AN042A	-	-
AN042A-2S	-	-
AN042K	-	-
AN042K-2S	-	-
AN042P	-	-
AN042S	-	-
APA50	330	-

CROSS REFERENCE - CONT		
AA TOGGLE CLAMPS	DE-STA-CO	CARR LANE
APA50-2S	330-SS	-
APA150	301	CL-150-PA
APA170	311	CL-170-PA
APA250	351	CL-250-PA
APA250-2S	351-SS	CL-250-PA-S
APA251-B	351-B	CL-251-PA
APA251-B2S	351-BSS	-
APA270	371	-
APA300	381	CL-350-PA
AFA150	323	CL-100-PA
AFA100-2S	323-MSS	CL-100-PA-S
AFA200	331	CL-200-PA
AFA200-RL	331-R	-
AFA200-2S	331-SS	CL-200-PA-S
AFA300	341	CL-300-PA
AFA300-RL	341-R	-
AFA300-2S	341-SS	CL-300-PA-S
AFA102	-	-
AFA102-2S	-	-
AFA202	-	-
AFA202-2S	-	-
AFA302	-	-
AFA130	324	CL-110-PA
AFA130-2S	324-SS	CL-110-PA-S
AFA230	334	CL-210-PA
AFA230-2S	334-SS	CL-210-PA-S
AFA330	344	CL-310-PA
AFA140	-	-
AFA140-2S	-	-
AFA240	-	-
AFA240-2S	-	-
AFA340	-	-
AFA600	375	CL-400-PA
AFA601-B	375-B	-
AFA700	385	CL-500-PA
ASL07	-	-
ASL10	601	CL-50-SPC
ASL10-2S	601-SS	CL-50-SPC-S
ASL15-2	601-O	CL-51-SPC
ASL15-22S	601-OSS	-
ASL70	6015-M	CL-100-SPC
ASL70-2S	6015-M-SS	CL-100-SPC-S
ASL70-LR	-	-
ASL70-RR	-	-
ASL100	-	CL-100-PC
ASL105-2	603	-
ASL105-22S	603-SS	-
ASL200	-	CL-200-PC
ASL300	-	CL-300-PC
ASL110	609	-
ASL111-B	609-B	-
ASL150	605	CL-150-SPC
ASL250	610	CL-250-SPC
ASL251-B	618	-
ASL350	630	CL-350-SPC
ASL160	615	-
ASL210	608	-
ASL240	620	CL-275-SPC
ASL241-B	628	CL-276-SPC
ASL310	607	-
ASL450	640	CL-450-SPC

CROSS REFERENCE - CONT		
AA TOGGLE CLAMPS	DE-STA-CO	CARR LANE
AN051	-	-
AFM50	602	CL-150-TPC
AFM50-2S	602-SS	CL-150-TPC-S
AFM150	604	CL-250-TPC
AFM150-2S	604-SS	CL-250-TPC-S
AFM150-1	-	-
AFM250	624	CL-350-TPC
ASA2	325	-
ASA150	424	CL-50-PL
ASA155-2	424-2	CL-50-PL-2
ASA250	441	CL-150-PL
ASA255-2	441-2	-
ASA350	461	-
ASA450	462	CL-254-PL
ASA455-2	462-2	CL-254-PL-2
ASA550	463	-
ASA453BS	-	-
ASA454BS	-	-
ASA455BS	-	-
AVARI1	-	-
AVARI2	-	-
AVARI3	-	-
AVARI1SB	-	-
AVARI2SB	-	-
AVARI1X	501-MB	CL-110-HVTC
AVARI2X	503-MB	CL-310-HVTC
AVARI3X	505-MB	CL-510-HVTC
AVARI1X-B	501-MLB	CL-111-HVTC
AVARI2X-B	503-MLB	CL-311-HVTC
AVARI3X-B	505-MLB	CL-511-HVTC
AAC82	817-U	-
AAC82-S	817-S	-
AAC250	802	CL-500-PTC
AAC350	807-L	-
AAC353-L	-	CL-1001-PTC
AAC450	807-UL	-
AAC453-L	-	CL-1000-PTC
AAC550	810-S	CL-2001-PTC
AAC650	810-U	CL-2000-PTC
AAC100-SL	803	-
AAC350-SL	830	-
AAC82-SWT	817-UFA	-
AAC82-S-SWT	817-SFA	-
AAC250-SWT	802-UFA	-
AAC350-SWT	807-SFA	-
AAC353-L-SWT	-	-
AAC450-SWT	807-UFA	-
AAC453-L-SWT	-	-
AAC550-SWT	810-SFA	-
AAC650-SWT	810-UFA	-
AAC100-SL-SWT	803-MFA	-
AAC350-SL-SWT	830-MFA	-



AA TOGGLE CLAMPS