



ALL MATERIAL HANDLING  
**Lifting Equipment**



# LIFTING EQUIPMENT



- 3** X5 LEVER CHAIN HOIST & SUBSEA LEVER CHAIN HOIST 3/4 – 10 Ton
- 5** MA HAND CHAIN HOISTS 1/2 – 30 Ton
- 7** LA LEVER CHAIN HOISTS 3/4 – 10 Ton
- 9** BADGER CHAIN HOISTS 1/2 – 10 Ton
- 13** MINI CHAIN HOISTS 1/4 – 1/2 Ton
- 14** CABLE PULLERS 1,000 – 3,400 Lbs
- 15** PUSH AND GEARED TROLLEYS 1/2 - 30 Ton
- 17** ARMY STYLE LOW HEADROOM TROLLEYS 1/2 – 10 Ton
- 19** BEAM CLAMPS 1 – 10 Ton
- 20** WALK-E-DOG 1 – 4 Ton

# LIFTING ACCESSORIES



- 23** GRADE 100 ALLOY SLING CHAINS 7/32" – 1-1/4"
- 24** GRADE 100 ALLOY MASTER LINKS & SUB ASSEMBLIES 1/2" – 2-3/4"
- 25** GRADE 100 ALLOY CHAIN FITTINGS 7/32" – 1-1/4"
- 30** WELD-ON LIFTING POINTS 1.5 ton – 30 ton
- 32** GREY CLASSIC G100 FITTINGS 7/32" – 7/8"
- 35** BLUE CLASSIC ALLOY WIRE ROPE HOOKS 1 ton - 5.4 ton
- 37** PLATE LIFTING CLAMPS, UNIVERSAL AND HORIZONTAL 1/2 – 5 ton
- 38** WELD-ON BUCKET HOOKS 1 – 20 Ton
- 39** SYNTHETIC WEB SLINGS
- 40** SYNTHETIC ROUND SLINGS, ALLOY HOOKS FOR SYNTHETIC SLINGS
- 41** TIE DOWNS





## WHO IS AMH?

All Material Handling Inc. is a privately owned and operated provider of quality material-handling equipment and accessories. We are equipped with an international perspective and an established distribution network that allows us to service applications in Construction, Industrial Supply, Maintenance, Marine, Military, Mining, Petrochemical, Railroad, Rental, Ship Building, Utilities, Manufacturing, as well as other industries across North and South America.

AMH owners have over 100 years of combined experience in manufacturing and engineering, which we have translated into excellent supply logistics for high-quality lifting equipment.

## WHY AMH?

### CLOSE TO MARKET

AMH distributors are found throughout the Americas. They are supported by our main office in Chicago Illinois, along with service and distribution centers located in Des Moines IA; Houston TX; Monroe GA; and Portland OR. Our supply network allows shipments from multiple locations, ensuring that customer demands are promptly met. Our four shipping points have enabled us to reach almost every customer in the continental United States, and ports servicing countries outside of the United States, within two business days, upon receipt of order.

### TECHNICAL COMPETENCE

We encourage frequent inspections and preventive maintenance programs for lifting equipment. Our distributors and authorized repair and service centers assist in supporting our product, and provide test documentation to comply with ASME B30, OSHA, and other applicable regulatory requirements and standards. Not only is a test certificate available in every lifting equipment's box, but AMH has taken it one step further by making certificates conveniently available online for retrieval by serial number from a test certificate database.

### SUPPLY SERVICE

Quality, support, and quick order fulfillment are our highest priorities. We provide our distributors and their customers with a well-stocked, quick responding network of Service Centers and Warehouses. 94% of all orders placed before noon ship the same day. We ship from four strategically positioned warehouse locations, which means that 90% of all AMH shipments arrive within two days of order placements at customer locations (throughout the Continental US). The combination of quick order fulfillment and a discounted large-order option make us what we are today - a prompt supplier who always keeps its customers' needs in mind. We pride ourselves in providing unequalled service to our customers - a level of service that can only be achieved by having well-trained employees with an extensive knowledge of our products and the industry's needs.

**OUR PHILOSOPHY** is to be a leading provider of quality material-handling products that exceed our customers' expectations of value and service.

**OUR MISSION** is to support our distributors with personal service, high quality, competitive pricing, and provide quicker delivery times than anyone else in the industry.



Please reach out to me with any feedback or requests. We understand well that customer satisfaction is key to our success and yours.

Sincerely,

Peter Brettner, President





# X5 Series Hoist

## X5 Lever Chain Hoist

3/4 to 10 US Ton Capacity

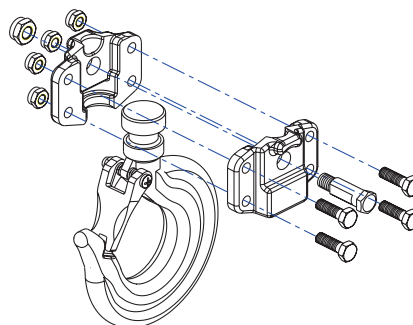
3/4 to 9 Metric ton Capacity

### FEATURES

- ▶ Brake sets and operates without minimum preload.
- ▶ 100% inspection of hooks per ASME B30 and easy hook replacement is permitted by bolted hook blocks.
- ▶ All steel body for durable strength in a smaller size.
- ▶ Powder coated and plated external parts to resist corrosion.
- ▶ Caged roller bearings on chain wheels for highest efficiency.
- ▶ Laser etched stainless steel nameplates with required OSHA/ASME B30 warnings, model and stamped serial number.
- ▶ Long life fused brake friction disc cannot crack, shatter or absorb moisture.
- ▶ Grade 100 zinc plated load chain made in Japan or EU.
- ▶ Optional overload protection is a one directional slip clutch that only slips in the lift direction.
- ▶ Ambient Temperature range: -40° to +140° F (-40° to +60° C).
- ▶ Meets: OSHA, ASME B30.21 and ASME HST-3. In addition, the ultimate strength is 5 times Working Load Limit (WLL), meeting structural requirement of ASME HST-3 Appendix A, for use in marine and other applications as specified by US Department of Defense (DOD).
- ▶ APEX rating: ® II 3 GD c IIB 60° C X for limited use in hazardous environments.
- ▶ Final assembly and load test in the USA from imported components. Supplied with certificate by serial number.
- ▶ Standard lifts are 5, 10, 15 and 20 ft. Custom lifts are also available.



Oversized laser etched stainless steel nameplate with required ASME/OSHA WARNINGS



*Bolted hook blocks allow 100% inspection per ASME B30 Safety Standard*



*Open chain guard allows visual inspection and does not trap contamination.*

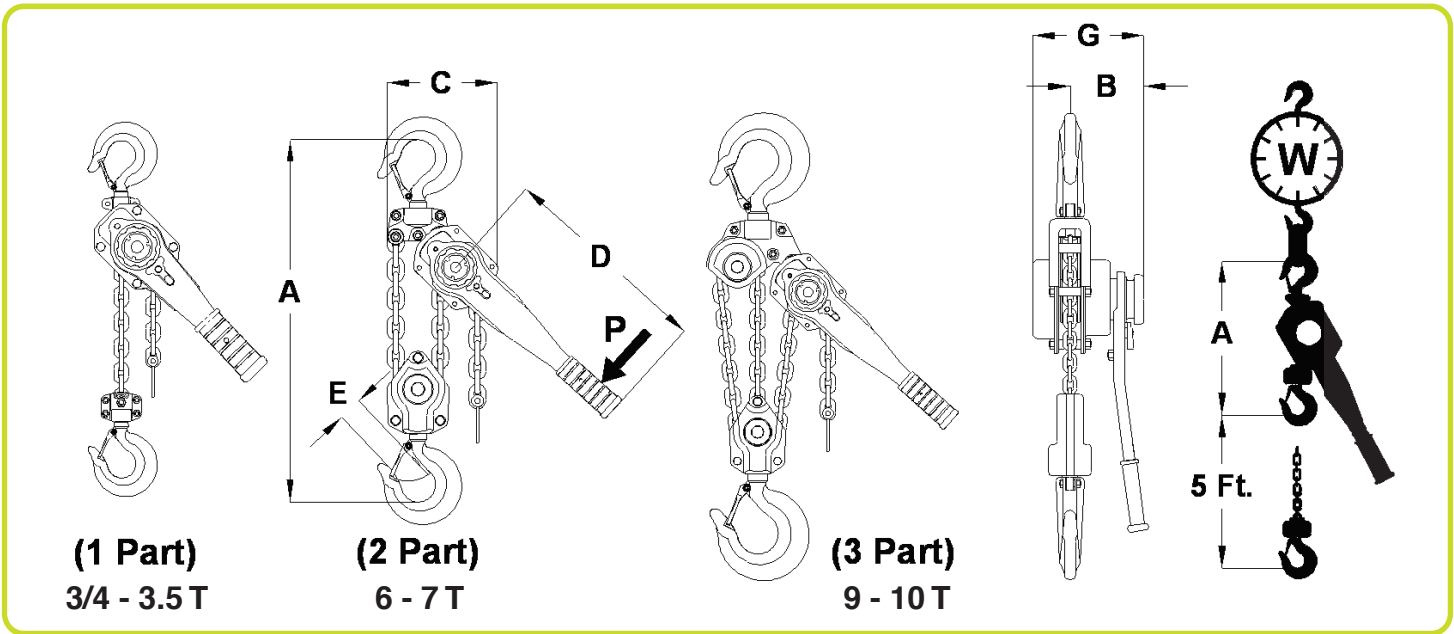
## X5S™ ADDITIONAL SUBSEA MODEL FEATURES

- ▶ SubSea models for use submerged under water.
- ▶ Brake is enclosed in a gasket sealed area along with bolted-in stainless dual springs and pawls.
- ▶ Meets IMCA D028 standard (UK sub-sea lever hoist standard).
- ▶ Extensive coatings, finishes and materials to resist corrosion.
- ▶ Fitted with an adjustable chain stop to meet local codes for use under water.



*Adjustable Stop*

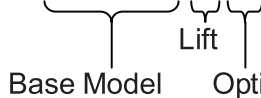




| Working Load Limit (WLL) |               |      | Specifications (inches and pounds) |       |         |     |      |      |               |     |         |                  |                     |
|--------------------------|---------------|------|------------------------------------|-------|---------|-----|------|------|---------------|-----|---------|------------------|---------------------|
| Base Model               | WLL<br>US Ton | kg   | Chain Grade 100                    | Parts | A" Min. | B"  | C"   | D"   | E" with Latch | G"  | P (lbs) | W (lbs) /Ft Lift | W (1) (lbs) 5' Lift |
| X5L02250                 | ¾ to 1⅛       | 1020 | C5.6X17Z                           | 1     | 11.8    | 3.9 | 4.7  | 9.6  | 1.1           | 5.9 | 52      | 0.5              | 13.5                |
| X5SL02250                |               |      |                                    |       |         |     |      |      |               |     |         |                  |                     |
| X5L03528                 | 1½ to 1¾      | 1600 | C7.1X20Z                           | 1     | 13.2    | 4.1 | 5.0  | 10.4 | 1.2           | 6.6 | 72      | 0.7              | 18.0                |
| X5SL03528                |               |      |                                    |       |         |     |      |      |               |     |         |                  |                     |
| X5L07056                 | 3 to 3½       | 3200 | C10X28Z                            | 1     | 15.6    | 4.6 | 6.3  | 16.3 | 1.4           | 7.9 | 84      | 1.5              | 36.5                |
| X5SL07056                |               |      |                                    |       |         |     |      |      |               |     |         |                  |                     |
| X5L14000                 | 6 to 7        | 6350 | C10X28Z                            | 2     | 21.3    | 4.6 | 8.6  | 16.3 | 1.6           | 7.9 | 86      | 3.0              | 55.0                |
| X5SL14000                |               |      |                                    |       |         |     |      |      |               |     |         |                  |                     |
| X5L20000                 | 9 to 10       | 9070 | C10X28Z                            | 3     | 26.8    | 4.6 | 11.7 | 16.3 | 2.1           | 7.9 | 88      | 4.5              | 90.0                |
| X5SL20000                |               |      |                                    |       |         |     |      |      |               |     |         |                  |                     |

Order by descriptive model number

Example: **X5L07056-05VS**



S option



L option

Options (Not available for SubSea models)

V = Overload Protection, one-way operation will lower any load

S = Shipyard Hooks includes top and bottom (Available for 1¼ & 3½T)

L = Self-Locking Hooks includes top and bottom (Available for 1⅛, 1¼ & 3½T)



**Extender Kit**  
Order Separately



| WLL    | (Chain and Hook not included) |
|--------|-------------------------------|
| 1 1/8T | HOOK- EXT02250                |
| 1 3/4T | HOOK- EXT03528                |
| 3 1/2T | HOOK- EXT07056                |



Top Hook Extender Kit installed



Before using these products; read and follow instructions in the operator's manual. Never exceed capacity. Do not use for lifting people or loads over people.



# MA Series Hoist

# Hand Chain Hoist

1/2 to 30 Metric ton Capacity

## FEATURES

- ▶ Increased efficiency by additional pinion shaft bearing and close tolerances.
- ▶ Hook blocks are bolted, allowing complete hook inspection.
- ▶ Lightweight and durable all steel construction with powder coated finish and plated frame components to resist corrosion.
- ▶ Premium USA Made Grade 80 Zinc plated alloy load chain.
- ▶ Hand chain opening is formed with a radius for smooth operation.
- ▶ Sealed ball bearings on the chain wheel maximize efficiency and serviceability.
- ▶ Self-adjusting double pawl disc type mechanical load brake ensures positive load control.
- ▶ Double roller guide ensures load chain tracking.
- ▶ Optional Overload Protection is a one directional clutch that will only slip in the lift direction.
- ▶ Meets: ASME/ANSI B30.16, OSHA, NASA-STD-8719.9
- ▶ ATEX rated  $\text{Ex}$  II 3 GD c IIB 54° C X for limited use in hazardous environments.



Final assembly and re-testing in the USA



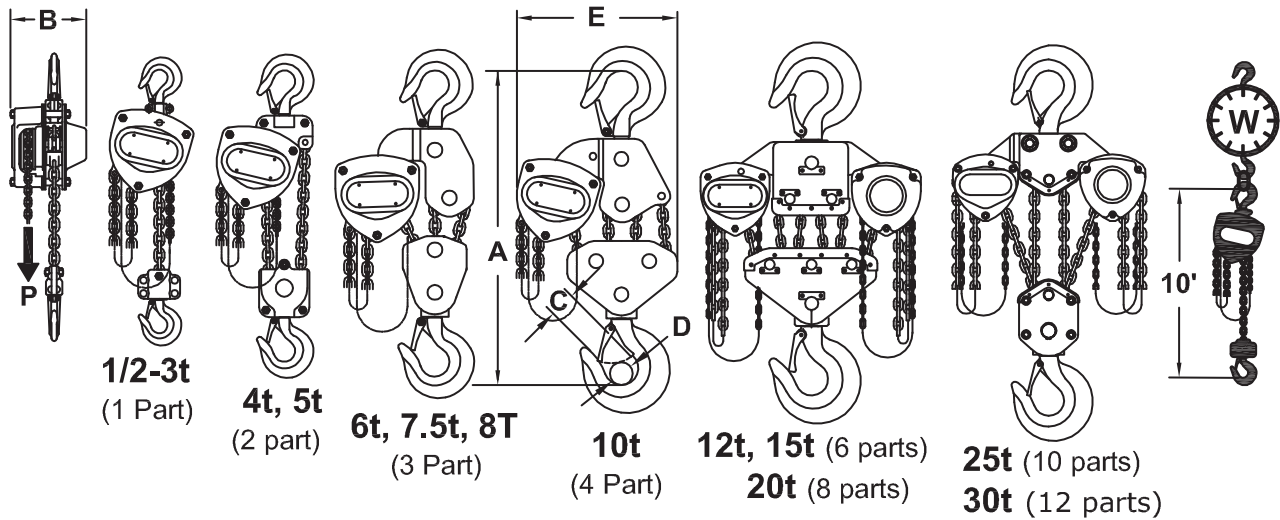
Plated Frame and Guide Components with Rounded Hand Chain Entrance

Zinc Plated Chains



Before using these products; read and follow instructions in the operator's manual. Never exceed capacity. Do not use for lifting people or loads over people.





| Base Model | Capacity (WLL)    | Specifications (inches and pounds) |           |      |      |      |      |      | Effort "P" @WLL" | "W ft. lift" | "W 10 ft. lift" |
|------------|-------------------|------------------------------------|-----------|------|------|------|------|------|------------------|--------------|-----------------|
|            |                   | Parts                              | Chain     | A    | B    | C    | D    | E    |                  |              |                 |
| MA005      | 1/2t / 1100 lbs   | 1                                  | C5 x 15z  | 13.6 | 5.4  | 0.93 | 0.83 | 5.7  | 50               | 0.74         | 24              |
| MA010      | 1t / 2200 lbs     | 1                                  | C6 x 18z  | 14.8 | 6    | 1.02 | 0.98 | 6.3  | 63               | 0.92         | 27              |
| MA015      | 1 1/2t / 3300 lbs | 1                                  | C7 x 21z  | 17.4 | 6.8  | 1.28 | 1.2  | 7.2  | 66               | 1.12         | 39              |
| MA020      | 2t / 4400 lbs     | 1                                  | C8 x 24z  | 18.5 | 7    | 1.38 | 1.28 | 8    | 74               | 1.3          | 43              |
| MA030      | 3t / 6600 lbs     | 1                                  | C10 x 28z | 21.7 | 8.1  | 1.5  | 1.42 | 10   | 84               | 1.88         | 77              |
| MA040      | 4t / 8800 lbs     | 2                                  | C9 x 27z  | 27.1 | 7.4  | 1.67 | 1.57 | 9.8  | 62               | 2.88         | 90              |
| MA050      | 5t / 11000 lbs    | 2                                  | C9 x 27z  | 27.1 | 7.4  | 1.67 | 1.57 | 9.8  | 78               | 2.88         | 90              |
| MA060      | 6t / 13200 lbs    | 3                                  | C9 x 27z  | 29.8 | 7.4  | 1.93 | 1.81 | 16.9 | 63               | 4.13         | 135             |
| MA075      | 7.5t / 16500 lbs  | 3                                  | C9 x 27z  | 29.8 | 7.4  | 1.93 | 1.81 | 16.9 | 79               | 4.13         | 135             |
| MA080      | 8T / 16000 lbs    | 3                                  | C9 x 27z  | 29.8 | 7.4  | 1.93 | 1.81 | 16.9 | 79               | 4.13         | 135             |
| MA100      | 10t / 22000 lbs   | 4                                  | C9 x 27z  | 33.9 | 7.4  | 1.93 | 1.81 | 18.1 | 83               | 5.38         | 173             |
| MA120      | 12t / 26400 lbs   | 6                                  | C9 x 27z  | 42.9 | 7.9  | 3.19 | 2.95 | 28.3 | 72x2             | 8.26         | 341             |
| MA150      | 15t / 33000 lbs   | 6                                  | C9 x 27z  | 42.9 | 7.9  | 3.19 | 2.95 | 28.3 | 90x2             | 8.26         | 341             |
| MA200      | 20t / 44000 lbs   | 8                                  | C9 x 27z  | 46.1 | 7.9  | 3.19 | 2.95 | 33.5 | 98x2             | 10.76        | 418             |
| MA250      | 25t / 55000 lbs   | 10                                 | C9 x 27z  | 47.2 | 13.9 | 3.19 | 2.95 | 27.5 | 107x2            | 13.26        | 462             |
| MA300      | 30t / 66000 lbs   | 12                                 | C10 x 28z | 57.1 | 17.8 | 3.19 | 2.95 | 29.5 | 108x2            | 22.56        | 590             |

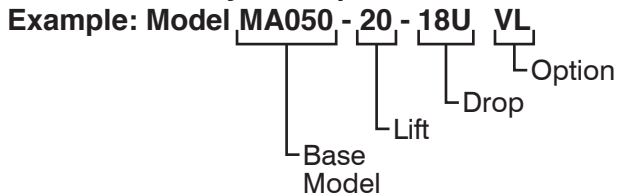
(1) Shipping weight can be estimated by adding approx. 15% to "W" hanging weight.

Standard lift = 10, 15 and 20 ft. Hand chain drop is 2 ft less than lift. Custom lifts and drops are available.

Option: V= Overload Protection, one-way operation that will lower any load.

L= Self-Locking Hook Option.

### How to Order, by descriptive model number



Self-Locking Hook Option  
(Fits into Standard Hook Block)



Before using these products; read and follow instructions in the operator's manual. Never exceed capacity. Do not use for lifting people or loads over people.



# LA Series Hoist

# Lever Chain Hoist

3/4 to 10 US Ton Capacity

3/4 to 9 Metric ton Capacity

## FEATURES

- ▶ Dual rated with more choices of capacity.
- ▶ Hook blocks are bolted, allowing easy disassembly for complete hook inspection.
- ▶ Lightweight and durable all steel construction with powder coated finish and plated external components to resist corrosion.
- ▶ Premium USA Made Grade 80 Zinc plated alloy load chain.
- ▶ Self adjusting double pawl disc type mechanical load brake ensures positive load control.
- ▶ Horseshoe chain guard allows operation in any orientation.
- ▶ Optional Overload Protection is a one directional clutch that will only slip in the lift direction.
- ▶ Meets: ASME/ANSI B30.21, OSHA, NASA-STD-8719.9
- ▶ ATEX rated  $\text{Ex}$  II 3 GD c IIB 54° C X for limited use in hazardous environments
- ▶ Long-life fused brake friction disc will not crack, shatter, or absorb moisture

| US Ton | Metric Ton |
|--------|------------|
| 3/4T   | 0.8t       |
| 1T     | 1.0t       |
| 1 3/4T | 1.6t       |
| 2 1/4T | 2.0t       |
| 2 3/4T | 2.5t       |
| 3 1/2T | 3.2t       |
| 7T     | 6.3t       |
| 10T    | 9.0t       |



Horseshoe Shape Chain Guide



Oversized laser etched stainless steel nameplate with required ASME/OSHA WARNINGS



Before using these products; read and follow instructions in the operator's manual. Never exceed capacity. Do not use for lifting people or loads over people.

Final assembly and re-testing in the USA









AMH™



BADGER™





# Chain Hoists

## 1/2 to 10 Metric ton Capacity

### FEATURES (for both lever and hand chain hoists)

- ▶ Low Headroom, Light weight and durable formed steel enclosure protects from contamination and can be quickly disassembled for fast and easy maintenance. Powder coating and plated finishes on exposed components provide corrosion resistance, allowing the hoist to stay in service longer.
- ▶ Internal parts are heat treated for strength and reliability with fully enclosed gearing to protect from contamination. All gears and shafts run on caged roller bearings, including the lift wheel which is machined for smooth operation and long life.
- ▶ Weston style mechanical load brake is self adjusting with double pawls, asbestos-free brake discs and is surrounded by an enclosure to limit contamination.
- ▶ Drop forged Alloy hooks are designed to stretch when overloaded before chain failure and equipped with a heavy duty cast steel safety latch, attached by a bolt and lock nut. The top hook mounting articulates to aid in rigging and help ensure straight line loading between hooks.
- ▶ Grade 80 Alloy load chain with zinc plating.
- ▶ Each hoist is proof tested matching the individual serial number stamped on the nameplate. An operation and spare parts manual is also supplied in English, French and Spanish.
- ▶ Meets ASME B30, OSHA and NASA-STD-8719.9
- ▶ Unchained units and bulk chain are available for customers to make their own custom lifts if assembled and tested per ASME B30 before being placed into service.
- ▶ Spare parts are stocked in USA.



### S Option:



Shipyard Hook



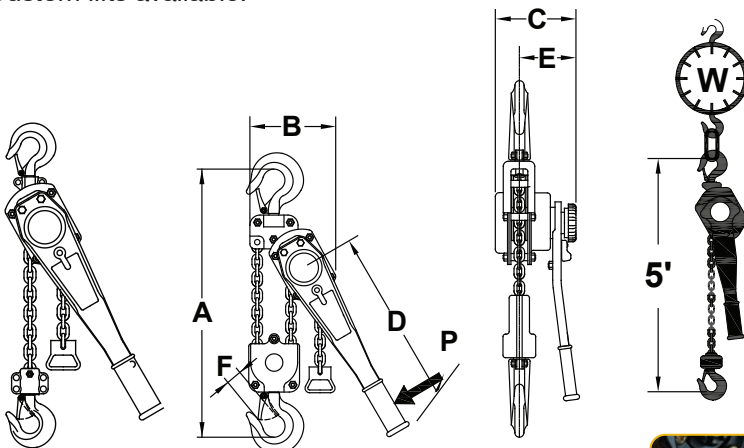
Before using these products; read and follow instructions in the operator's manual. Never exceed capacity. Do not use for lifting people or loads over people.

# Lever Chain Hoist

3/4 to 6 Metric ton Capacity

## FEATURES

- ▶ Easy One Hand Operation and Set up - When the selector is in neutral and no load is present then free chain mode is entered. The chain can be pulled through the hoist by a pull handle for easy set up and load attachment before engaging the selector for pulling. The pull handle also acts as a chain stop. Short ratchet strokes of a non-slip rubber grip lever and the 360 degree rotation requires minimal space for operation. The pull force to operate may be 20 to 30% less than others.
- ▶ Operation in any orientation is assured by a fully enclosed horseshoe shape chain guard keeping the load chain in contact with the lift wheel.
- ▶ Available in lifts of 5, 10 and 20 feet zinc plated chain.
- ▶ Custom lifts available.



(1 part) **0.75, 1.5 & 3t**  
 (2 part) **6t**

(1) Shipping weight can be estimated by adding approximately 15% to "W" hanging weight.

Each hoist is serialized and supplied with test certificate and manual in English, French and Spanish.



**Oversized laser etched stainless steel nameplate with required ASME/OSHA WARNINGS**

**Option:** S = Shipyard Hooks, Available for 1.5t and 3t only

**How to Order:** By descriptive model number

**Example:** Model LC030-20S = 3t lever hoist with 20' lift shipyard hooks

## SPECIFICATIONS AND DIMENSIONS (inches and pounds unless noted)

| Base Model# | WLL Metric ton   | Weight (lbs) Lift/FT | Weight (lbs) 5 Ft Lift | Chain# & Size (mm) | Effort P (lbs.)@ WLL | Falls | A    | B    | C   | D    | E   | F with latch |
|-------------|------------------|----------------------|------------------------|--------------------|----------------------|-------|------|------|-----|------|-----|--------------|
| LC008       | 0.75t (1650 lbs) | 0.54                 | 17                     | C6X18ZC            | 31                   | 1     | 12.6 | 5.3  | 5.8 | 11.4 | 3.5 | 0.94         |
| LC015       | 1.5t (3300 lbs)  | 0.92                 | 26                     | C8X24ZC            | 54                   | 1     | 15.0 | 6.4  | 6.9 | 16.5 | 4.0 | 1.14         |
| LC030       | 3.0t (6600 lbs)  | 1.48                 | 46                     | C10X30ZC           | 72                   | 1     | 18.9 | 8.3  | 7.7 | 16.5 | 4.3 | 1.42         |
| LC060       | 6.0t (13200 lbs) | 2.96                 | 70                     | C10X30ZC           | 76                   | 2     | 24.4 | 10.0 | 7.7 | 16.5 | 4.3 | 1.81         |



Before using these products; read and follow instructions in the operator's manual. Never exceed capacity. Do not use for lifting people or loads over people.

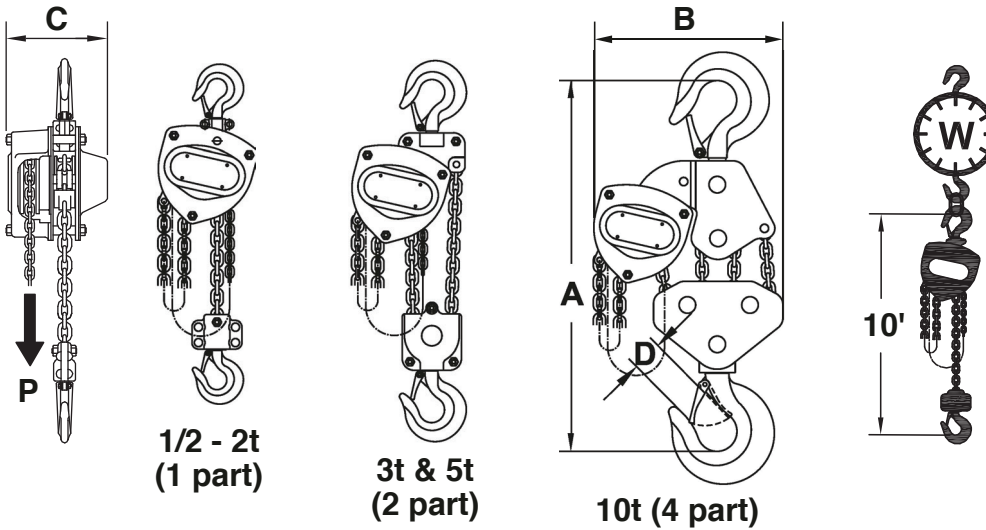


# Hand Chain Hoist

1/2 to 10 Metric ton Capacity

## FEATURES

- ▶ Hand chain opening is formed with radius allowing operation from side or even above, permitting use for lifting or pulling.
- ▶ Hand chains and load chains are Zinc plated.
- ▶ Available in lifts of 10, 20 and 30 feet. Custom lifts/drops available.



**Option:** V= Overload Protection

**How to Order:** By descriptive model number

**Example:** Model CB030-20-18V = 3t hoist with 20' lift 18' drop, overload protection

### SPECIFICATIONS AND DIMENSIONS (inches and pounds unless noted)

| Base Model# | WLL Metric ton  | Weight (lbs) 10 Lift | Chain# & Size (mm) | Load Chain Lb.Ft. | Hand Chain Lb.Ft. | Effort P (lbs.) @ WLL | Falls | A    | B    | C   | D with latch |
|-------------|-----------------|----------------------|--------------------|-------------------|-------------------|-----------------------|-------|------|------|-----|--------------|
| CB005       | 0.5t (1100 lbs) | 22                   | C6X18ZC            | 0.54              | 0.38              | 45                    | 1     | 10.6 | 5.4  | 5.4 | 1.10         |
| CB010       | 1t (2200 lbs)   | 26                   | C6X18ZC            | 0.54              | 0.38              | 72                    | 1     | 13.4 | 6.4  | 5.8 | 1.02         |
| CB015       | 1.5t (3300 lbs) | 42                   | C8X24ZC            | 0.92              | 0.38              | 81                    | 1     | 15.7 | 7.2  | 6.7 | 1.28         |
| CB020       | 2t (4400 lbs)   | 44                   | C8X24ZC            | 0.92              | 0.38              | 82                    | 1     | 16.3 | 7.6  | 6.7 | 1.26         |
| CB030       | 3t (6600 lbs)   | 59                   | C8X24ZC            | 1.84              | 0.38              | 87                    | 2     | 20.9 | 8.7  | 6.7 | 1.46         |
| CB050       | 5t (11000 lbs)  | 101                  | C10X30ZC           | 2.96              | 0.38              | 98                    | 2     | 25.0 | 11.3 | 7.5 | 1.80         |
| CB100       | 10t (22000 lbs) | 183                  | C10X30ZC           | 5.92              | 0.38              | 98                    | 4     | 29.3 | 15.1 | 7.5 | 1.97         |



Before using these products; read and follow instructions in the operator's manual. Never exceed capacity. Do not use for lifting people or loads over people.



# Mini Hoists

# Mini Chain Hoist

## 1/4 & 1/2 Metric ton Capacity

### FEATURES

- ▶ Planetary gearing is used to minimize operator effort and to reduce stress on the brake components.
- ▶ Small size allows operation and storage in tight places.
- ▶ Lightweight and durable all steel construction with plated frame components and durable chrome exterior finish to resist corrosion.
- ▶ Grade 80 Zinc plated alloy load chain.
- ▶ Sleeve bearings used to maximize serviceability and provide good efficiency.
- ▶ Self-adjusting pawl and disc type mechanical load brake ensures positive load control.
- ▶ Meets: ASME/ANSI B30, OSHA, NASA-STD-8719.9.
- ▶ ATEX rated  $\text{Ex}$  II 3 GD c IIB 54° C X for limited use in hazardous environments.



#### How to Specify Lever Model:

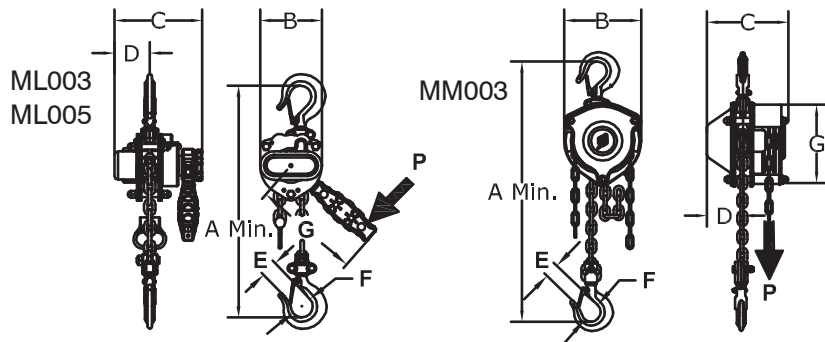
Example ML005-20  
(1/2t Capacity, 20 ft lift)

| Model | Lift |
|-------|------|
| ML005 | 20   |

#### How to Specify Hand Chain Model:

Example MM003-20-18  
(1/4t Capacity, 20 ft lift and 18 ft hand chain drop)

| Model | Lift | Drop |
|-------|------|------|
| MM003 | 20   | 18   |



### M & L Series Specifications and Dimensions (inches and pounds)

| Model | Working Load Limit (WLL) |          | Chain  | A Min. | B   | C   | D   | E   | F   | G   | Effort<br>P (lbs) | W (lbs)<br>5' lift |
|-------|--------------------------|----------|--------|--------|-----|-----|-----|-----|-----|-----|-------------------|--------------------|
|       | Maximum                  | *Minimum |        |        |     |     |     |     |     |     |                   |                    |
| MM003 | 1/4t / 550 lbs           | 0 lbs    | C4X12Z | 9.1    | 3.9 | 4.3 | 1.9 | 0.6 | 1   | 4.3 | 26                | 7.7                |
| ML003 | 1/4t / 550 lbs           | 33 lbs   | C4X12Z | 8.5    | 3   | 4.6 | 1.6 | 0.6 | 1   | 6.2 | 28                | 4.9                |
| ML005 | 1/2t / 1100 lbs          | 40 lbs   | C5X15Z | 10     | 3.5 | 5.3 | 2   | 0.8 | 1.3 | 7.1 | 40                | 7.7                |

\* **Lever Min. capacity** is the load required to set the automatic safety brake. The brake will stop a load even if the operator leaves the unit in free chain mode and in neutral, in a similar way as a seat belt reacts.

**Standard lift is 5 & 10 ft for Lever and 8 ft for Hand Chain Hoist models.** All hoists are load tested at 125% Capacity.



Before using these products; read and follow instructions in the operator's manual. Never exceed capacity. Do not use for lifting people or loads over people.



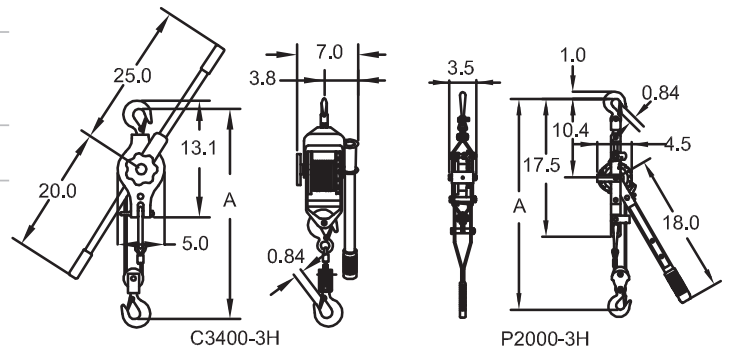


# Cable Puller

## 1/2 to 1 1/2 Metric ton Capacity

### FEATURES

- ▶ 3 Hook design allows 1 or 2 part rigging for a choice of capacity and lift.
- ▶ Galvanized aircraft quality wire rope, stainless springs and plated external parts for corrosion resistance.
- ▶ C3400 has a lightweight aluminum frame. P2000 has a formed steel frame. Both have a one piece cast aluminum drum.
- ▶ C3400 has an overload indicating reversible handle that changes position easily, so pull is always possible in the right direction against the load. The handle on the C3400 bends noticeably when overloaded.
- ▶ Safety latches on alloy steel load hooks.
- ▶ “One notch at a time” ratchet and pawl lowering for precise load control.
- ▶ Buttress tooth with solid steel drive and holding dog, no laminated plates.
- ▶ Spring steel drum shield helps protect and spool cable evenly on drum.
- ▶ Meets: ASME/ANSI B30.21, OSHA and NASA-STD-8719.9.
- ▶ ATEX rated  $\text{Ex}$  II 3 GD c IIB 54° C X for limited use in hazardous environments.



### SPECIFICATION AND DIMENSIONS (inches and pounds)

| Model    | ASME B30.21 (4:1 Design Factor)<br>Working Load Limit @ Falls & Lift | "A" Min.<br>Between<br>Hooks | Av. Pull<br>@ Max.<br>Load | Cable<br>Size<br>(in) | Hook<br>Opening<br>w/Latch | Lever<br>Length | Weight |
|----------|--|------------------------------|----------------------------|-----------------------|----------------------------|-----------------|--------|
| P2000-3H | WLL 1000 lbs @ 1 part & 15 ft lift                                   | 21"                          |                            |                       |                            |                 |        |
|          | WLL 2000 lbs @ 2 parts & 7.5 ft lift                                 | 27.5"                        | 60 lbs                     | 3/16                  | 0.91"                      | 18"             | 10 lbs |
| C3400-3H | WLL 1700 lbs @ 1 part & 20 ft lift                                   | 17"                          |                            |                       |                            |                 |        |
|          | WLL 3400 lbs @ 2 parts & 10 ft lift                                  | 23.8"                        | 80 lbs                     | 1/4                   | 0.94"                      | 25"             | 16 lbs |



Before using these products; read and follow instructions in the operator's manual. Never exceed capacity. Do not use for lifting people or loads over people.



## The Easiest Trolley Installation Ever

### FEATURES

- ▶ 1/2 to 5t installation and adjustment by rotating the threaded hanger shaft.
- ▶ 10-30t installation from one side. Hanger shafts are fixed mounted to the opposite side plate.
- ▶ Trolleys up to 5t have a 5:1 design factor for use with powered or manual hoist. Trolleys 10t and greater have a 4:1 design factor and must be derated for use with powered hoist.
- ▶ Machined cast iron wheels with universal tread designed to fit flat or tapered beam flanges.
- ▶ Low headroom design with precision sealed “lubed for life” bearings assure smooth operation.
- ▶ Durable all steel construction with standard safety lugs.
- ▶ Geared trolley hand chain comes standard with 20 feet of drop.
- ▶ Meets: ASME/ANSI B30.16, OSHA, NASA-STD-8719.9, EU Directives: 2006/42/EC
- ▶ ATEX rated  $\text{Ex}$  II 3 GD c IIB 54° C X for limited use in hazardous environments.

### Options:

- ▶ Extended hand chain drop (standard with 20 ft)
- ▶ Wide Flange Kits for 1/2-5t with 12” flange adjustment (may be ordered separately)



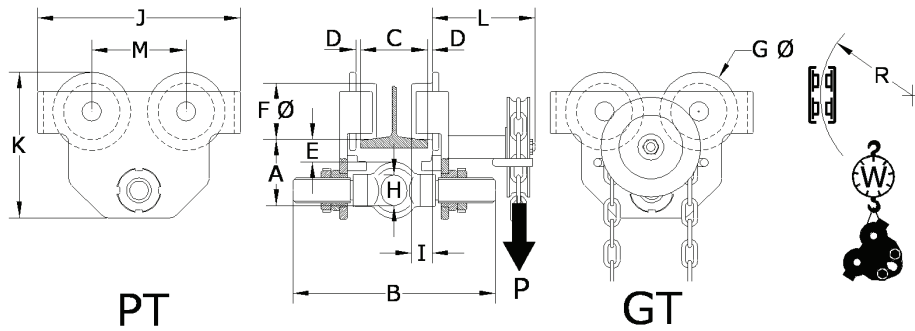
\* Wide Flange Kit Specifications And Dimensions (inches & lbs)

| WLL  | For Model | Trolley w/Kit Weight (lbs) | B w/Kit | C w/Kit   | Shaft Kit weight (lbs) | Wide Shaft Kit (Order Separately) |
|------|-----------|----------------------------|---------|-----------|------------------------|-----------------------------------|
| 1/2t | PT005     | 19.1                       | 14.8    | 6.3-12.01 | 5.1 lbs                | PT005-FLG-12                      |
| 1t   | PT010     | 25.1                       | 15.2    |           | 6.0 lbs                | PT010-FLG-12                      |
|      | GT010     | 36.1                       |         |           | 9.0 lbs                | PT020-FLG-12                      |
| 2t   | PT020     | 42.2                       | 15.6    |           | 12.8 lbs               | PT030-FLG-12                      |
|      | GT020     | 53.2                       |         |           | 17.9 lbs               |                                   |
| 3t   | PT030     | 72.6                       | 16.1    |           |                        |                                   |
|      | GT030     | 85.6                       |         |           |                        |                                   |
| 5t   | PT050     | 97.8                       | 16.3    |           |                        |                                   |
|      | GT050     | 111.8                      |         |           |                        |                                   |

\* Refer to page 16 drawings



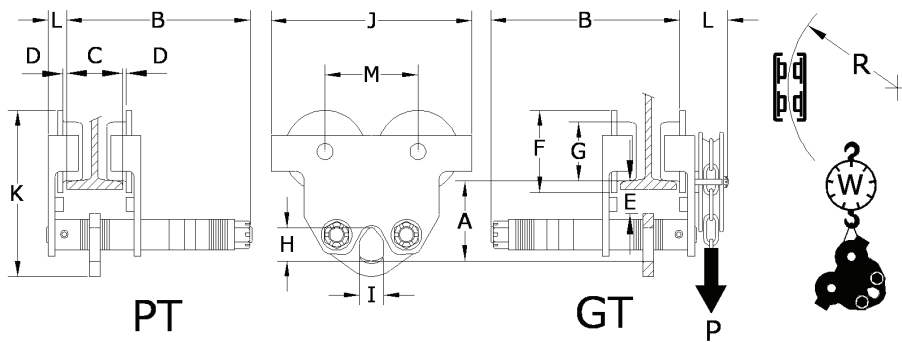
Before using these products; read and follow instructions in the operator's manual. Never exceed capacity. Do not use for lifting people or loads over people.



**1/2 to 5 Metric ton PT & GT SERIES SPECIFICATIONS and DIMENSIONS (Inches and Pounds)**

| Base Model | WLL (5:1) | A   | B1   | B2   | Standard C1 | Wide Flg Kit C2 | D      | E   | F   | G   | H   | I   | J    | K    | L    | M   | P* (lbs) | R Min | W1 (lbs) | W2 (Lbs) |
|------------|-----------|-----|------|------|-------------|-----------------|--------|-----|-----|-----|-----|-----|------|------|------|-----|----------|-------|----------|----------|
| PT005      | 1/2t      | 3.3 | 11.5 | 14.8 | 1.97-8.66   | 6.30-12.01      | 0-0.12 | 1.5 | 2.3 | 3.4 | 1.2 | 0.9 | 8.9  | 6.8  | ---- | 4.0 | ----     | 36    | 18       | 19       |
| PT010      | 1t        | 3.7 | 11.8 | 15.2 | 2.28-8.66   | 6.30-12.01      | 0-0.12 | 1.7 | 2.4 | 3.7 | 1.4 | 0.9 | 9.9  | 7.4  | ---- | 4.8 | ----     | 40    | 24       | 25       |
| GT010-20   |           |     |      |      |             |                 |        |     |     |     |     |     |      |      |      |     |          |       |          |          |
| PT020      | 2t        | 4.4 | 12.2 | 15.6 | 2.60-8.66   | 6.30-12.01      | 0-0.12 | 1.6 | 3.2 | 4.6 | 1.9 | 1.0 | 11.8 | 8.9  | ---- | 5.5 | ----     | 48    | 40       | 42       |
| GT020-20   |           |     |      |      |             |                 |        |     |     |     |     |     |      |      |      |     |          |       |          |          |
| PT030      | 3t        | 5.8 | 12.8 | 16.1 | 2.91-8.66   | 6.30-12.01      | 0-0.12 | 2.5 | 3.9 | 5.5 | 2.3 | 1.3 | 14.2 | 11.4 | ---- | 6.3 | ----     | 52    | 69       | 72       |
| GT030-20   |           |     |      |      |             |                 |        |     |     |     |     |     |      |      |      |     |          |       |          |          |
| PT050      | 5t        | 6.3 | 13.0 | 16.3 | 3.54-8.66   | 6.30-12.01      | 0-0.12 | 2.2 | 4.3 | 5.9 | 2.8 | 1.5 | 15.4 | 12.3 | ---- | 6.7 | ----     | 56    | 94       | 97       |
| GT050-20   |           |     |      |      |             |                 |        |     |     |     |     |     |      |      |      |     |          |       |          |          |

\* Effort



**10 TO 30 Metric ton PT & GT SERIES SPECIFICATIONS (inches and pounds)**

| Base Model | WLL (4:1) | A    | B    | C      | D         | E   | F    | G   | H   | I   | J    | K    | L   | M    | Effort P (lbs) | R Min | W (lbs) |
|------------|-----------|------|------|--------|-----------|-----|------|-----|-----|-----|------|------|-----|------|----------------|-------|---------|
| PT100      | 10t       | 7.5  | 15.5 | 4.9-12 | 0.08-0.13 | 1.8 | 7.0  | 5.4 | 4.4 | 2.8 | 18.1 | 15.5 | 1.8 | 7.9  | ----           | 79    | 198     |
| GT100-20   |           |      |      |        |           |     |      |     |     |     |      |      | 4.3 |      |                |       | 54      |
| PT160      | 16t       | 9.3  | 17.1 | 5.4-12 | 0.08-0.13 | 2.4 | 8.9  | 6.6 | 5.4 | 3.7 | 22.6 | 19.6 | 3.0 | 10.7 | ----           | 138   | 427     |
| GT160-20   |           |      |      |        |           |     |      |     |     |     |      |      | 6.0 |      |                |       | 54      |
| GT200-20   | 20t       | 9.2  | 17.1 | 5.4-12 | 0.08-0.13 | 2.3 | 8.9  | 6.9 | 5.4 | 3.7 | 22.6 | 19.6 | 6.0 | 10.7 | 56             | 138   | 458     |
| GT300-20   | 30t       | 11.2 | 17.8 | 6.9-12 | 0.08-0.13 | 2.7 | 11.2 | 9.1 | 6.1 | 4.1 | 28.7 | 24.4 | 6.2 | 13.5 | 56             | 236   | 848     |





## PTL & GTL Trolley

# Army Style Low Headroom Trolley

½ to 10 Metric ton Capacity



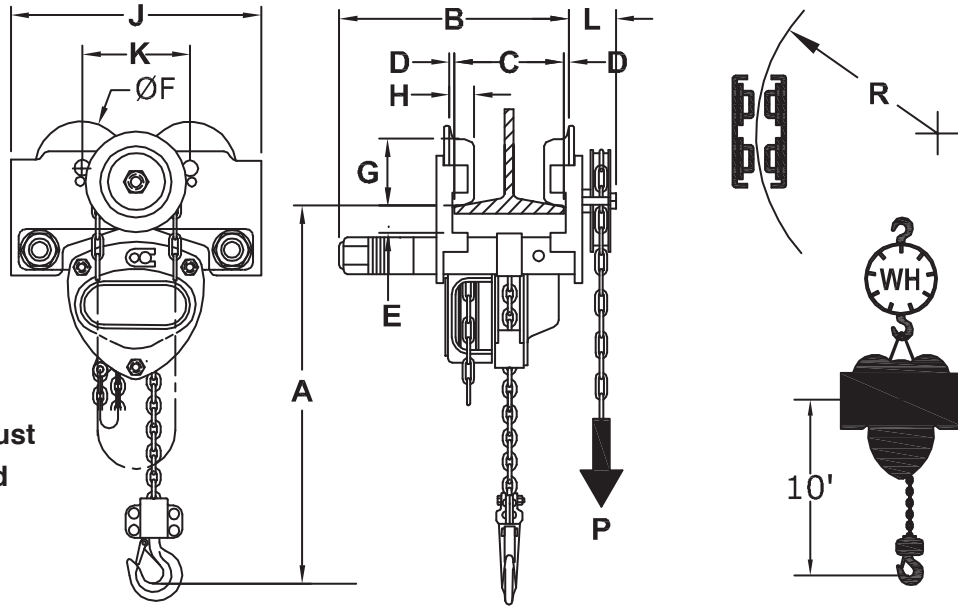
### FEATURES

- ▶ Low headroom design increases lift height in low ceiling areas.
- ▶ Direct mount to any standard MA model AMH hoist by replacing the top hook assembly with the low headroom trolley assembly.
- ▶ Durable all steel construction.
- ▶ Machined cast iron wheels with precision sealed “lubed for life” bearings and universal tread design to fit flat or tapered beam flanges.
- ▶ Standard hand chain drop is 20 feet.
- ▶ Meets: ASME/ANSI B30.16, OSHA, NASA-STD-8719.9.
- ▶ ATEX rated  $\text{Ex}$  II 3 GD c IIB 54°C X for limited use in hazardous environments.
- ▶ **Options:** Extended hand chain drop.



Before using these products; read and follow instructions in the operator's manual. Never exceed capacity. Do not use for lifting people or loads over people.

Hoist and Trolley Kit must be purchased separately.

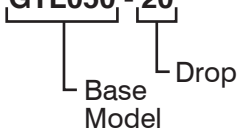


### PTL & GTL SERIES SPECIFICATION AND DIMENSIONS (inches and pounds)

| Model     | WLL  | A    | B    | C        | D         | E   | F   | G   | H   | J    | K   | L   | P (lbs) | R Min | Includes Hoist W(lbs) |
|-----------|------|------|------|----------|-----------|-----|-----|-----|-----|------|-----|-----|---------|-------|-----------------------|
| PTL005    | 1/2t | 11.6 | 9.8  | 2.0-8.0  | 0.06-0.12 | 1.2 | 3.1 | 2.2 | 0.7 | 10.2 | 3.9 | 3.0 | ----    | 31    | 46                    |
| GTL005-20 |      |      |      |          |           |     |     |     |     |      |     |     | 6       |       | 57                    |
| PTL010    | 1t   | 13.0 | 14.0 | 2.5-12.0 | 0.06-0.12 | 1.5 | 3.8 | 2.7 | 0.8 | 11.5 | 5.0 | 3.1 | ----    | 35    | 51                    |
| GTL010-20 |      |      |      |          |           |     |     |     |     |      |     |     | 11      |       | 62                    |
| PTL020    | 2t   | 16.1 | 14.3 | 3.5-12.0 | 0.06-0.12 | 1.5 | 4.3 | 3.1 | 0.9 | 14.2 | 5.4 | 3.3 | ----    | 39    | 86                    |
| GTL020-20 |      |      |      |          |           |     |     |     |     |      |     |     | 20      |       | 97                    |
| PTL030    | 3t   | 19.0 | 14.7 | 3.9-12.0 | 0.06-0.12 | 1.7 | 5.2 | 3.9 | 1.1 | 16.9 | 6.2 | 3.4 | ----    | 47    | 158                   |
| GTL030-20 |      |      |      |          |           |     |     |     |     |      |     |     | 21      |       | 169                   |
| PTL050    | 5t   | 25.2 | 15.0 | 4.5-12.0 | 0.06-0.12 | 1.6 | 5.7 | 4.3 | 1.4 | 17.6 | 6.8 | 3.7 | ----    | 51    | 222                   |
| GTL050-20 |      |      |      |          |           |     |     |     |     |      |     |     | 31      |       | 233                   |
| PTL075    | 7.5t | 26.9 | 15.6 | 4.9-12.0 | 0.08-0.14 | 1.8 | 7.0 | 5.4 | 1.6 | 25.2 | 7.9 | 4.3 | ----    | 79    | 324                   |
| GTL075-20 |      |      |      |          |           |     |     |     |     |      |     |     | 42      |       | 335                   |
| PTL100    | 10t  | 30.8 | 15.6 | 4.9-12.0 | 0.08-0.14 | 1.8 | 7.0 | 5.4 | 1.6 | 25.2 | 7.9 | 4.3 | ----    | 79    | 342                   |
| GTL100-20 |      |      |      |          |           |     |     |     |     |      |     |     | 54      |       | 353                   |

How to Order, by descriptive model number

Example: Model **GTL050 - 20**



If assembly to a hoist is required then note on the order.





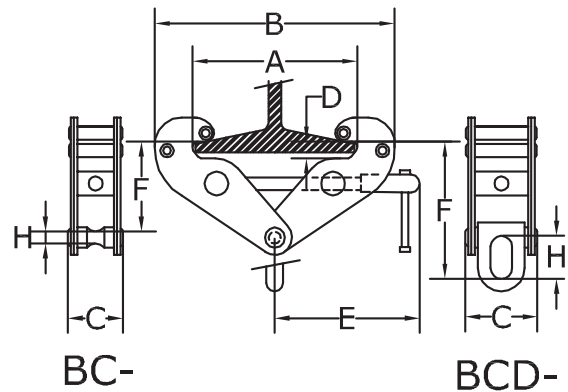
# BC Clamp

# Beam Clamps

1 to 10 Metric ton Capacity

## FEATURES

- ▶ 5:1 design factor for use with powered or manual hoist.
- ▶ The easy way to install a fixed hoist mount or rigging point.
- ▶ Simple installation by hand, no tools required.
- ▶ Compact and portable low headroom design.
- ▶ Available with (BCD model) or without (BC model) a movable shackle.
- ▶ “Theatrical Black” color. All parts are a matte black color.
- ▶ Meets OSHA, ASME B30, NASA-STD-8719.9 and EU Directives: 2006/42/EC



| SPECIFICATION<br>(Inches & Lbs) |        | (WLL) Capacity from Vertical |        |        |        | A"<br>Adjustment | B"<br>Max | C"  | D"   | E"   | F"<br>Max | H"  | Weight<br>Lbs. |
|---------------------------------|--------|------------------------------|--------|--------|--------|------------------|-----------|-----|------|------|-----------|-----|----------------|
|                                 |        | @0°                          | @15°   | @30°   | @45°   |                  |           |     |      |      |           |     |                |
| 1t                              | BC-01  | 2,200                        | 0      | 0      | 0      | 3.1 - 9.6        | 14.6      | 3.7 | 0.75 | 7.8  | 5.6       | 0.8 | 7.7            |
|                                 | BCD-01 | 2,200                        | 1,800  | 1,500  | 1,100  |                  |           |     |      |      |           |     |                |
| 2t                              | BC-02  | 4,400                        | 0      | 0      | 0      | 3.1 - 9.6        | 14.6      | 4.0 | 0.75 | 7.8  | 5.6       | 0.8 | 9.9            |
|                                 | BCD-02 | 4,400                        | 3,700  | 2,900  | 2,200  |                  |           |     |      |      |           |     |                |
| 3t                              | BC-03  | 6,600                        | 0      | 0      | 0      | 3.5 - 13.0       | 19.7      | 5.2 | 1.12 | 10.4 | 7.8       | 0.9 | 20.9           |
|                                 | BCD-03 | 6,600                        | 5,500  | 4,400  | 3,300  |                  |           |     |      |      |           |     |                |
| 5t                              | BC-05  | 11,000                       | 0      | 0      | 0      | 3.5 - 13.0       | 19.7      | 5.6 | 1.41 | 10.4 | 8.2       | 0.9 | 24.2           |
|                                 | BCD-05 | 11,000                       | 9,100  | 7,300  | 5,500  |                  |           |     |      |      |           |     |                |
| 10t                             | BC-10  | 22,000                       | 0      | 0      | 0      | 3.5 - 13.8       | 20.6      | 7.1 | 1.50 | 11.2 | 8.4       | 1.5 | 35.2           |
|                                 | BCD-10 | 22,000                       | 18,300 | 14,500 | 11,000 |                  |           |     |      |      |           |     |                |



Before using these products; read and follow instructions in the operator's manual. Never exceed capacity. Do not use for lifting people or loads over people.



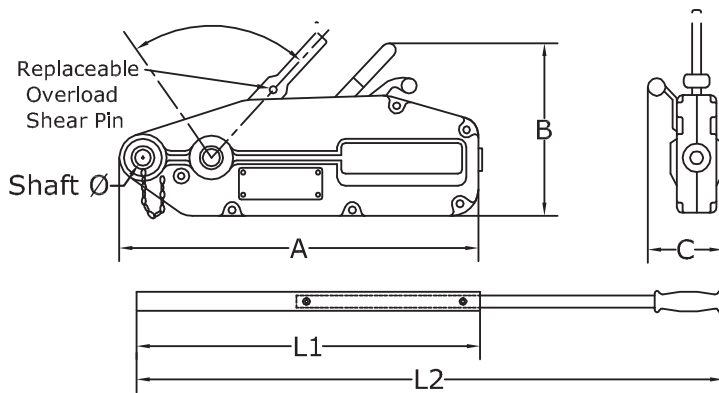
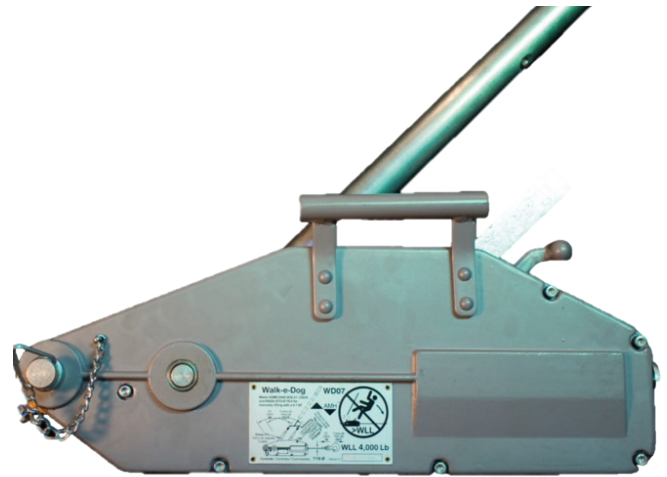
# Walk-E-Dog™

# Wire Rope Pulling Hoist

2000, 4000 & 8000 Lb WLL

## FEATURES

- ▶ Portable lightweight aluminum construction is durable and resists corrosion.
- ▶ ANY length of commercially available 6x19S IWRC wire rope can be used for unlimited reach. (contact us for further details)
- ▶ Smooth operation with precise control.
- ▶ Telescoping handle allows the operator to optimize pull and stroke.
- ▶ Long service life and low maintenance requiring only periodic cleaning, lubrication and inspection.
- ▶ Overload protection is provided by a shear pin that is easily replaced. 4 extra shear pins are supplied in the lever grip or carrying handle compartments.
- ▶ Meets ASME/ANSI B30.21, OSHA and NASA-STD-8719.9 for manually lifting with a 4:1 SF
- ▶ ATEX rated  $\text{Ex}$  II 3 GD c IIB 54° C X for limited use in hazardous environments.
- ▶ 66 ft. wire rope may be ordered separately.



| 6X19S Wire Rope Assembly<br>(Must be ordered separately) |       |        |        |
|--|-------|--------|--------|
| Part #   | Size  | Weight | Length |
| WD05RA66   | 5/16" | 15 Lbs | 66 Ft  |
| WD07RA66   | 7/16" | 28 Lbs | 66 Ft  |
| WD10RA66   | 5/8"  | 41 Lbs | 66 Ft  |

| Walk-e-Dog Model | Wire Rope | ANSI/ASME B30.21<br>OSHA & NASA |    | Weight Lbs. | A     | B     | C    | Shaft Ø | L1    | L2    | Advance /Stroke | Hand Pull @WLL |
|------------------|-----------|---------------------------------|----|-------------|-------|-------|------|---------|-------|-------|-----------------|----------------|
|                  |           | WLL @ 4:1                       | SF |             |       |       |      |         |       |       |                 |                |
| WD05             | 5/16"     | 2000 lbs                        | 1T | 13.2        | 17.4" | 9.6"  | 2.6" | 0.88"   | ----  | 32.7" | 2.1"            | 88 lb          |
| WD07             | 7/16"     | 4000 lbs                        | 2T | 24.2        | 22.2" | 11.4" | 4.0" | 1.00"   | 32.7" | 49.0" | 2.3"            | 113 lb         |
| WD10             | 5/8"      | 8000 lbs                        | 4T | 48.4        | 26.9" | 13.3" | 4.7" | 1.20"   | 32.7" | 49.0" | 1.1"            | 113 lb         |



Before using these products; read and follow instructions in the operator's manual. Never exceed capacity. Do not use for lifting people or loads over people.





# Grade 100 Lifting Accessories

FEATURING

# CARTEC

MADE IN  
ITALY





### Crane Attachments



**Master Links**  
1/2" up to 2-1/4"



**Sub-Assemblies**  
3/4" up to 2-3/4"

### INLINE Clevis Shortening Hook Assemblies



**Clevis Shortening Hook**  
7/32"-1/4" up to 5/8"



**Clevis Master Set 1-Leg**  
9/32" up to 5/8"



**Clevis Master Set 2-Leg**  
9/32" up to 5/8"



**Clevis Master Set 4-Leg**  
9/32" up to 5/8"

### Connecting Link



**Connecting Links**  
7/32" up to 1-1/4"

### Grab Hooks



**Eye Grab Hooks**  
7/32" up to 1-1/4"



**Clevis Grab Hooks**  
7/32" up to 7/8"

### Chain Sling ID Tags

Neutral or Prefilled for : 9/32", 3/8", and 1/2"  
Single and Multi-Leg Chain Slings, G100

Front

MFR  
WLL in lbs  
8,800 vertical  
7,100 choker

Back

Size 3/8"  
Grade100 Leg 1  
Serial#  
Reach Ft In

### Bottom Hooks



**CAX**  
7/32"-1-1/4"



**CRFX**  
7/32"-7/8"



**CBX**  
7/32"-7/8"



**CRGX**  
7/32"-5/8"



**CROX**  
7/32"-7/8"



**CYX**  
7/32"-1-1/4"




**CYFX**  
7/32"-5/8"

| Design Factor      | Single Leg Sling |                        | Double Leg Sling |         |        |         | Triple & Quad Leg Sling |         |  |
|--------------------|------------------|------------------------|------------------|---------|--------|---------|-------------------------|---------|--|
|                    | 90°              | 60°                    | 45°              | 30°     | 60°    | 45°     | 30°                     |         |  |
| <b>4:1</b>         |                  |                        |                  |         |        |         |                         |         |  |
| <b>Angle</b>       | 90°              | 60°                    | 45°              | 30°     | 60°    | 45°     | 30°                     |         |  |
| <b>Load Factor</b> | 1                | 1.7                    | 1.4              | 1       | 2.6    | 2.1     | 1.5                     |         |  |
| <b>Chain Size</b>  |                  | <b>Work Load (lbs)</b> |                  |         |        |         |                         |         |  |
| inch               | mm               |                        |                  |         |        |         |                         |         |  |
| 7/32"              | 6                | 3,000                  | 5,100            | 4,200   | 3,000  | 7,800   | 6,300                   | 4,500   |  |
| 9/32"              | 7                | 4,300                  | 7,400            | 6,100   | 4,300  | 11,200  | 9,100                   | 6,400   |  |
| 5/16"              | 8                | 5,700                  | 9,900            | 8,100   | 5,700  | 14,800  | 12,100                  | 8,500   |  |
| 3/8"               | 10               | 8,800                  | 15,200           | 12,400  | 8,800  | 22,900  | 18,700                  | 13,200  |  |
| 1/2"               | 13               | 15,000                 | 26,000           | 21,200  | 15,000 | 39,000  | 31,800                  | 22,500  |  |
| 5/8"               | 16               | 22,600                 | 39,100           | 32,000  | 22,600 | 58,700  | 47,900                  | 33,900  |  |
| 3/4"               | 20               | 35,300                 | 61,100           | 49,900  | 35,300 | 91,700  | 74,900                  | 53,000  |  |
| 7/8"               | 22               | 42,700                 | 74,000           | 60,400  | 42,700 | 110,900 | 90,600                  | 64,000  |  |
| 1"                 | 26               | 59,700                 | 103,400          | 84,400  | 59,700 | 155,100 | 126,600                 | 89,550  |  |
| 1 1/4"             | 32               | 90,400                 | 156,600          | 127,800 | 90,400 | 234,900 | 191,700                 | 135,600 |  |

**Temperature Resistance:** Retains 100% of work load limit at minus 40° to 400° F  
Not for temperatures over 400° F

Never exceed work load limit. Always follow your domestic safety regulations.



Blue Painted Finish

| Nominal Chain Size | Material Diameter |    | WLL    |        | Pitch = Inside Length |    | min. Inside Width |      | lbs per foot | Drum QTY ft | Part # |
|--------------------|-------------------|----|--------|--------|-----------------------|----|-------------------|------|--------------|-------------|--------|
|                    | in                | in | mm     | lbs    | kg                    | in | mm                | in   |              |             |        |
| 7/32               | 0.230             | 6  | 3,000  | 1,400  | 0.71                  | 18 | 0.319             | 8.1  | 0.54         | 400         | G10A06 |
| 9/32               | 0.276             | 7  | 4,300  | 1,950  | 0.87                  | 22 | 0.398             | 10.1 | 0.74         | 1200        | G10A07 |
| 5/16               | 0.315             | 8  | 5,700  | 2,600  | 0.94                  | 24 | 0.469             | 11.9 | 0.94         | 1000        | G10A08 |
| 3/8                | 0.394             | 10 | 8,800  | 4,000  | 1.18                  | 30 | 0.550             | 14.0 | 1.48         | 600         | G10A10 |
| 1/2                | 0.512             | 13 | 15,000 | 6,800  | 1.54                  | 39 | 0.736             | 18.7 | 2.55         | 400         | G10A13 |
| 5/8                | 0.630             | 16 | 22,600 | 10,300 | 1.89                  | 48 | 0.858             | 21.8 | 3.82         | 300         | G10A16 |
| 3/4                | 0.787             | 20 | 35,300 | 16,000 | 2.36                  | 60 | 1.067             | 27.1 | 6.40         | 150         | G10A20 |
| 7/8                | 0.866             | 22 | 42,700 | 19,400 | 2.60                  | 66 | 1.260             | 32.0 | 7.52         | 150         | G10A22 |
| 1                  | 1.024             | 26 | 59,700 | 27,080 | 3.07                  | 78 | 1.421             | 36.1 | 10.20        | 100         | G10A26 |
| 1 1/4              | 1.259             | 32 | 90,400 | 41,000 | 3.77                  | 96 | 1.637             | 41.6 | 16.33        | 164         | G10A32 |

### DRAK-MASTER LINK MARKINGS:



Manufacturers Brand, Grade10 (Grade Level) and Country of Origin

H-Stamp = European quality marking

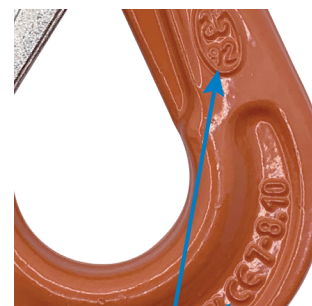
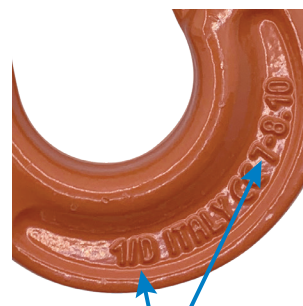
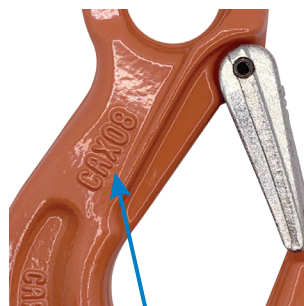
CE-marking

Chain Diameter(mm) the Master Link will fit on

Batch code

Size in inches

### CARTEC HOOK MARKINGS:



Manufacturers Brand Name

Inch Size

Part Number

Batch Code Size in Metric Grade 10

Hallmark H-92 & CE (European Quality Markings)

## AX Welded Master Links



| Part # | Trade Size | WLL 4:1 (lbs)* | WLL 5:1 (lbs)** | Weight (lbs) | Inside Dimensions (in) |         |      | Chain Size          |        |
|--------|------------|----------------|-----------------|--------------|------------------------|---------|------|---------------------|--------|
|        |            |                |                 |              | i-length               | i-width | dia  | 1 leg               | 2 leg  |
| AX13   | 1/2        | 6,000          | 4,800           | 0.75         | 4.33                   | 2.36    | 0.51 | 7/32", 9/32", 5/16" | 7/32"  |
| AX16W  | 5/8        | 8,600          | 7,000           | 1.47         | 5.51                   | 3.15    | 0.63 | 5/16"               | 9/32"  |
| AX18W  | 3/4        | 12,900         | 11,400          | 2.02         | 5.91                   | 3.54    | 0.71 | 3/8"                | 5/16"  |
| AX22   | 7/8        | 17,600         | 17,200          | 3.30         | 6.30                   | 3.54    | 0.87 | 1/2"                | 3/8"   |
| AX26   | 1          | 30,000         | 29,900          | 5.06         | 7.09                   | 3.94    | 1.02 | 5/8"                | 1/2"   |
| AX32   | 1-1/4      | 39,100         | 35,200          | 8.58         | 7.87                   | 4.33    | 1.26 | 3/4"                | 5/8"   |
| AX36   | 1-1/2      | 61,100         | 48,800          | 13.97        | 10.24                  | 5.51    | 1.42 | 7/8"                | 3/4"   |
| AX45   | 1-3/4      | 74,000         | 70,400          | 28.16        | 13.39                  | 7.09    | 1.77 | 1"                  | 7/8"   |
| AX51   | 2          | 103,400        | 102,600         | 37.84        | 13.78                  | 7.48    | 2.01 | 1-1/4"              | 1"     |
| AX57   | 2-1/4      | 178,900        | 143,120         | 53.24        | 15.75                  | 7.87    | 2.24 | -----               | 1-1/4" |

\*For use with chain slings      \*\*For use with wire rope and synthetic slings

## AKX Welded Master Link Assemblies



| Part #   | Trade Size | WLL 4:1 (lbs)* | WLL 5:1 (lbs)** | Weight (lbs) | Inside Dim. Masters (In) |         |      | Inside Dim. Subs (In) |         |      | For Chain   |
|----------|------------|----------------|-----------------|--------------|--------------------------|---------|------|-----------------------|---------|------|-------------|
|          |            |                |                 |              | i-length                 | i-width | dia  | i-length              | i-width | dia  |             |
| AKX1813W | 3/4        | 11,200         | 11,000          | 2.90         | 5.91                     | 3.54    | 0.71 | 2.13                  | 0.98    | 0.51 | 7/32"+9/32" |
| AKX2216  | 7/8        | 15,200         | 12,200          | 4.88         | 6.30                     | 3.54    | 0.87 | 2.76                  | 1.34    | 0.63 | 9/32"+5/16" |
| AKX2618  | 1          | 26,000         | 21,300          | 7.39         | 7.09                     | 3.94    | 1.02 | 3.35                  | 1.57    | 0.71 | 3/8"        |
| AKX3222  | 1-1/4      | 39,000         | 35,200          | 13.24        | 7.87                     | 4.33    | 1.26 | 4.53                  | 1.97    | 0.87 | 1/2"        |
| AKX3626  | 1-1/2      | 58,700         | 57,200          | 21.98        | 10.24                    | 5.51    | 1.42 | 5.51                  | 2.56    | 1.02 | 5/8"        |
| AKX5132  | 2          | 91,700         | 77,000          | 51.26        | 13.78                    | 7.48    | 2.01 | 5.91                  | 2.76    | 1.26 | 3/4"        |
| AKX5136  | 2          | 110,900        | 88,720          | 56.76        | 13.78                    | 7.48    | 2.01 | 6.69                  | 2.95    | 1.42 | 7/8"        |
| AKX5740  | 2-1/4      | 155,100        | 124,080         | 77.44        | 15.75                    | 7.87    | 2.24 | 6.69                  | 3.15    | 1.57 | 1           |
| AKX7150  | 2-3/4      | 235,000        | 188,000         | 149.60       | 18.11                    | 9.84    | 2.76 | 7.87                  | 3.93    | 1.97 | 1-1/4"      |

\*For use with chain slings      \*\*For use with wire rope and synthetic slings

## AWX Welded Master Link Assemblies with Extra Large Sub-Links



| Part #  | Trade Size | WLL 4:1 (lbs)* | WLL 5:1 (lbs)** | Weight (lbs) | Inside Dim. Masters (In) |         |      | Inside Dim. Subs (In) |         |      | For Chain   |
|---------|------------|----------------|-----------------|--------------|--------------------------|---------|------|-----------------------|---------|------|-------------|
|         |            |                |                 |              | i-length                 | i-width | dia  | i-length              | i-width | dia  |             |
| AWX1813 | 3/4        | 11,200         | 11,000          | 3.52         | 5.91                     | 3.54    | 0.71 | 4.33                  | 2.36    | 0.51 | 7/32"+9/32" |
| AWX2216 | 7/8        | 15,200         | 12,200          | 5.63         | 6.30                     | 3.54    | 0.87 | 4.33                  | 2.36    | 0.63 | 9/32"+5/16" |
| AWX2618 | 1          | 26,000         | 21,300          | 8.58         | 7.09                     | 3.94    | 1.02 | 5.31                  | 2.95    | 0.71 | 3/8"        |
| AWX3222 | 1-1/4      | 39,000         | 35,200          | 15.18        | 7.87                     | 4.33    | 1.26 | 6.30                  | 3.55    | 0.87 | 1/2"        |
| AWX3626 | 1-1/2      | 58,700         | 57,200          | 24.09        | 10.24                    | 5.51    | 1.42 | 7.09                  | 3.94    | 1.02 | 5/8"        |

\*For use with chain slings      \*\*For use with wire rope and synthetic slings

## AWXO Welded Master Link Assemblies for Large Crane Hooks with Large Sub-Links

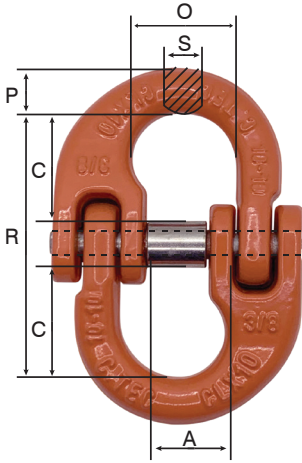


| Part #   | For Chain Size | WLL 4:1 (lbs)* | WLL 5:1 (lbs)** | Weight (lbs) | Inside Dim. Masters (in) |         |      | Inside Dim. Subs (in) |         |      |
|----------|----------------|----------------|-----------------|--------------|--------------------------|---------|------|-----------------------|---------|------|
|          |                |                |                 |              | i-length                 | i-width | dia  | i-length              | i-width | dia  |
| AWXO3016 | 9/32-5/16      | 14,800         | 11,840          | 14.37        | 13.40                    | 7.10    | 1.18 | 4.33                  | 2.36    | 0.63 |
| AWXO3018 | 3/8            | 22,900         | 18,320          | 15.55        |                          |         | 1.18 | 5.31                  | 2.95    | 0.71 |
| AWXO4022 | 1/2            | 39,000         | 31,200          | 28.60        |                          |         | 1.57 | 6.30                  | 3.54    | 0.87 |
| AWXO4026 | 5/8            | 58,700         | 46,960          | 32.10        |                          |         | 1.57 | 7.09                  | 3.94    | 1.02 |

\*For use with chain slings      \*\*For use with wire rope and synthetic slings

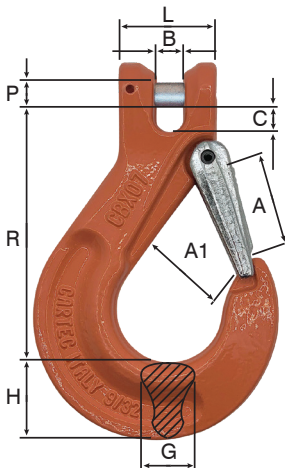


**CLX** Connecting Link



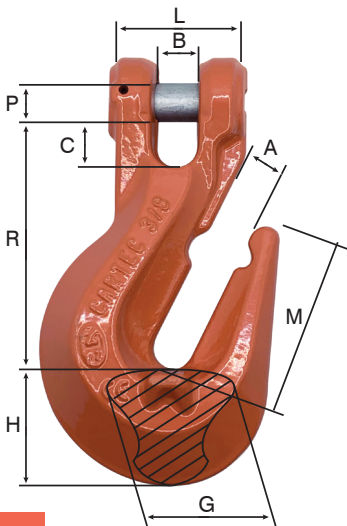
|                |        | Dimensions (in) |      |      |      |      |      | Weight (lbs) | WLL (lbs) |
|----------------|--------|-----------------|------|------|------|------|------|--------------|-----------|
| For Chain Size | Part # | A               | C    | O    | R    | P    | S    |              |           |
| 7/32-1/4       | CLX 06 | 0.55            | 0.71 | 0.71 | 1.77 | 0.31 | 0.30 | 0.15         | 3,000     |
| 9/32           | CLX 07 | 0.70            | 0.79 | 0.81 | 1.99 | 0.40 | 0.35 | 0.31         | 4,300     |
| 5/16           | CLX 08 | 0.75            | 1.00 | 0.93 | 2.44 | 0.45 | 0.39 | 0.44         | 5,700     |
| 3/8            | CLX 10 | 0.94            | 1.18 | 1.08 | 2.83 | 0.50 | 0.50 | 0.77         | 8,800     |
| 1/2            | CLX 13 | 1.10            | 1.42 | 1.31 | 3.44 | 0.75 | 0.66 | 1.63         | 15,000    |
| 5/8            | CLX 16 | 1.35            | 1.59 | 1.56 | 4.13 | 0.81 | 0.81 | 2.56         | 22,600    |
| 3/4            | CLX 20 | 1.65            | 1.81 | 1.81 | 4.45 | 1.14 | 0.98 | 5.51         | 35,300    |
| 7/8            | CLX 22 | 1.93            | 2.17 | 2.28 | 5.24 | 1.18 | 1.10 | 6.83         | 42,700    |
| 1              | CLX 26 | 2.24            | 3.35 | 2.76 | 7.56 | 1.57 | 1.18 | 14.99        | 59,700    |
| 1-1/4          | CLX 32 | 3.15            | 3.33 | 3.70 | 8.11 | 1.85 | 1.38 | 25.35        | 90,400    |

**CBX** Clevis Sling Hook with Forged Latch



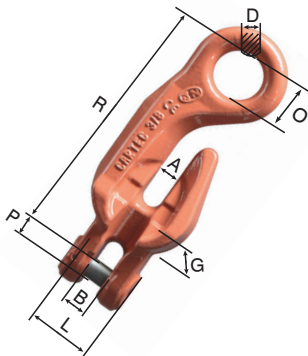
|                |          | Dimensions (in) |      |      |      |      |      |      |             |       | Weight (lbs) | WLL (lbs) |
|----------------|----------|-----------------|------|------|------|------|------|------|-------------|-------|--------------|-----------|
| For Chain Size | Part #   | A               | A1   | B    | C    | G    | H    | R    | PXL         |       |              |           |
| 7/32-1/4       | CBX 06SF | 1.02            | 0.75 | 0.28 | 0.31 | 0.59 | 0.79 | 2.72 | 0.3 X 0.69  | 0.55  | 3,000        |           |
| 9/32           | CBX 07SF | 1.34            | 1.02 | 0.37 | 0.39 | 0.75 | 1.10 | 3.74 | 0.35 X 0.89 | 1.10  | 4,300        |           |
| 5/16           | CBX 08SF | 1.34            | 1.02 | 0.37 | 0.39 | 0.75 | 1.10 | 3.74 | 0.39 X 0.89 | 1.10  | 5,700        |           |
| 3/8            | CBX 10SF | 1.57            | 1.22 | 0.47 | 0.53 | 0.98 | 1.30 | 4.33 | 0.51 X 1.16 | 2.20  | 8,800        |           |
| 1/2            | CBX 13SF | 2.01            | 1.57 | 0.59 | 0.67 | 1.18 | 1.57 | 5.35 | 0.63 X 1.46 | 3.75  | 15,000       |           |
| 5/8            | CBX 16SF | 2.20            | 1.77 | 0.71 | 0.87 | 1.46 | 1.89 | 6.10 | 0.79 X 2.05 | 7.05  | 22,600       |           |
| 3/4            | CBX 20SF | 2.36            | 2.09 | 0.91 | 1.02 | 2.01 | 2.05 | 7.28 | 0.94 X 2.87 | 11.02 | 35,300       |           |
| 7/8            | CBX 22SF | 2.76            | 2.44 | 0.98 | 1.14 | 1.97 | 2.48 | 8.27 | 1.02 X 2.83 | 27.12 | 42,700       |           |

**CFX** Clevis Grab Hook with Saddle



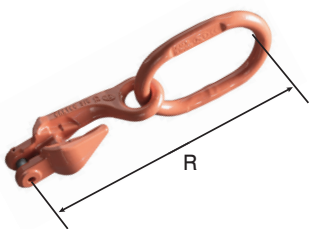
|                |        | Dimensions (in) |      |      |      |      |      |      |             |       | Weight (lbs) | WLL (lbs) |
|----------------|--------|-----------------|------|------|------|------|------|------|-------------|-------|--------------|-----------|
| For Chain Size | Part # | A               | B    | C    | G    | H    | R    | M    | PXL         |       |              |           |
| 7/32-1/4       | CFX 06 | 0.31            | 0.31 | 0.35 | 0.87 | 0.87 | 2.03 | 1.40 | 0.30 X 0.69 | 0.44  | 3,000        |           |
| 9/32           | CFX 07 | 0.39            | 0.39 | 0.45 | 1.18 | 1.10 | 2.62 | 1.85 | 0.35 X 0.89 | 0.97  | 4,300        |           |
| 5/16           | CFX 08 | 0.39            | 0.39 | 0.43 | 1.18 | 1.10 | 2.60 | 1.85 | 0.39 X 0.89 | 0.97  | 5,700        |           |
| 3/8            | CFX 10 | 0.51            | 0.51 | 0.59 | 1.73 | 1.34 | 3.15 | 2.17 | 0.51 X 1.24 | 2.12  | 8,800        |           |
| 1/2            | CFX 13 | 0.67            | 0.67 | 0.69 | 2.09 | 1.85 | 4.15 | 3.19 | 0.63 X 1.65 | 4.63  | 15,000       |           |
| 5/8            | CFX 16 | 0.75            | 0.75 | 0.72 | 2.52 | 2.36 | 4.40 | 3.62 | 0.83 X 2.03 | 7.50  | 22,600       |           |
| 3/4            | CFX 20 | 0.93            | 0.91 | 0.87 | 3.35 | 2.56 | 4.65 | 3.94 | 0.94 X 2.42 | 11.46 | 35,300       |           |
| 7/8            | CFX 22 | 1.02            | 1.02 | 0.98 | 3.62 | 2.68 | 6.06 | 4.72 | 1.02 X 2.83 | 17.20 | 42,700       |           |

## CDFX INLINE Clevis Shortening Hook



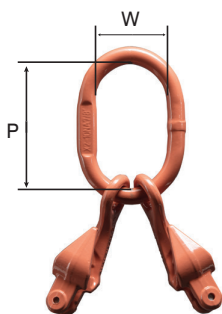
| Dimensions (In) |        |      |      |      |      |      |      |      |             |              |           |
|-----------------|--------|------|------|------|------|------|------|------|-------------|--------------|-----------|
| For Chain Size  | Part # | A    | B    | D    | G    | H    | O    | R    | PxL         | Weight (lbs) | WLL (lbs) |
| 7/32-1/4        | CDFX06 | 0.31 | 0.31 | 0.35 | 1.14 | 1.46 | 0.71 | 3.35 | 0.30 x 0.69 | 0.66         | 3,000     |
| 9/32            | CDFX07 | 0.41 | 0.39 | 0.47 | 1.54 | 2.13 | 0.94 | 4.82 | 0.35 x 0.89 | 1.48         | 4,300     |
| 5/16            | CDFX08 | 0.41 | 0.39 | 0.47 | 1.54 | 2.13 | 0.94 | 4.80 | 0.39 x 0.89 | 1.48         | 5,700     |
| 3/8             | CDFX10 | 0.51 | 0.47 | 0.57 | 1.97 | 2.76 | 1.22 | 6.30 | 0.51 x 1.24 | 2.87         | 8,800     |
| 1/2             | CDFX13 | 0.63 | 0.61 | 0.71 | 2.52 | 3.62 | 1.46 | 8.03 | 0.63 x 1.65 | 6.61         | 15,000    |
| 5/8             | CDFX16 | 0.79 | 0.73 | 0.94 | 3.15 | 4.01 | 1.89 | 9.13 | 0.83 x 2.03 | 11.46        | 22,600    |

## CDFXA1 INLINE Clevis Master Set 1-Leg



| Dimensions (In) |          |      |      |      |       |              |           |
|-----------------|----------|------|------|------|-------|--------------|-----------|
| For Chain Size  | Part #   | D    | W    | P    | R     | Weight (lbs) | WLL (lbs) |
| 9/32            | CDFXA107 | 0.51 | 2.36 | 4.33 | 9.13  | 2.65         | 4,300     |
| 5/16            | CDFXA108 | 0.63 | 2.36 | 4.33 | 9.13  | 2.95         | 5,700     |
| 3/8             | CDFXA110 | 0.71 | 2.95 | 5.31 | 11.61 | 4.89         | 8,800     |
| 1/2             | CDFXA113 | 0.87 | 3.54 | 6.30 | 14.33 | 9.91         | 15,000    |
| 5/8             | CDFXA116 | 1.02 | 3.94 | 7.09 | 16.22 | 16.52        | 22,600    |

## CDFXA2 INLINE Clevis Master Set 2-Leg



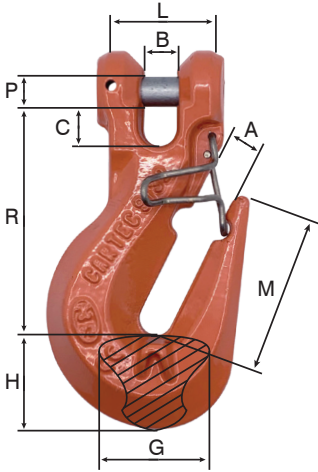
| Dimensions (In) |          |      |      |      |       |              |           |
|-----------------|----------|------|------|------|-------|--------------|-----------|
| For Chain Size  | Part #   | D    | W    | P    | R     | Weight (lbs) | WLL (lbs) |
| 9/32            | CDFXA207 | 0.63 | 2.36 | 4.33 | 9.06  | 4.43         | 7,400     |
| 5/16            | CDFXA208 | 0.71 | 2.95 | 5.31 | 10.04 | 4.98         | 9,900     |
| 3/8             | CDFXA210 | 0.87 | 3.54 | 6.30 | 16.73 | 8.82         | 15,200    |
| 1/2             | CDFXA213 | 1.02 | 3.94 | 7.09 | 20.47 | 16.98        | 26,000    |
| 5/8             | CDFXA216 | 1.26 | 4.33 | 7.87 | 25.00 | 29.76        | 39,100    |

## CDFXA4 INLINE Clevis Master Set 4-Leg



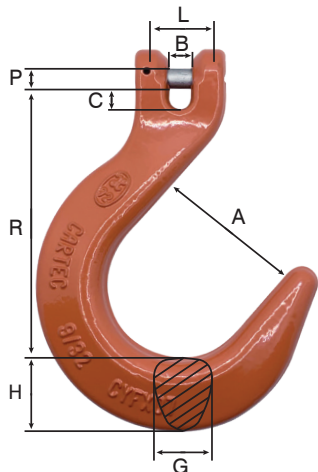
| Dimensions (In) |          |      |      |       |       |              |           |
|-----------------|----------|------|------|-------|-------|--------------|-----------|
| For Chain Size  | Part #   | D    | W    | P     | R     | Weight (lbs) | WLL (lbs) |
| 9/32            | CDFXA407 | 0.87 | 3.54 | 6.30  | 13.78 | 10.36        | 11,200    |
| 5/16            | CDFXA408 | 0.87 | 3.54 | 6.30  | 13.78 | 10.36        | 14,800    |
| 3/8             | CDFXA410 | 1.02 | 3.94 | 7.09  | 16.73 | 18.96        | 22,900    |
| 1/2             | CDFXA413 | 1.26 | 4.33 | 7.87  | 20.47 | 37.48        | 39,000    |
| 5/8             | CDFXA416 | 1.42 | 5.51 | 10.24 | 25.00 | 63.93        | 58,700    |

## CFXS Clevis Grab Hook with Saddle & Latch



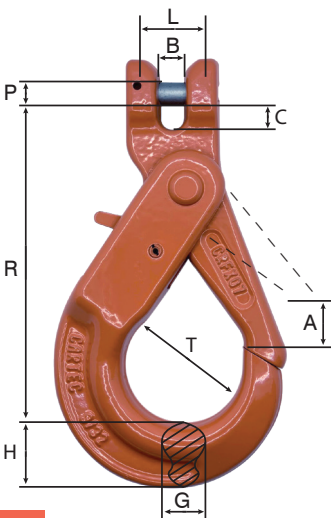
|                |         | Dimensions (In) |      |      |      |      |      |      |             | Weight (lbs) | WLL (lbs) |
|----------------|---------|-----------------|------|------|------|------|------|------|-------------|--------------|-----------|
| For Chain Size | Part #  | A               | B    | C    | G    | H    | R    | M    | PXL         |              |           |
| 9/32           | CFX 07S | 0.39            | 0.39 | 0.45 | 1.18 | 1.10 | 2.62 | 1.85 | 0.35 X 0.89 | 0.97         | 4,300     |
| 5/16           | CFX 08S | 0.39            | 0.39 | 0.43 | 1.18 | 1.10 | 2.60 | 1.85 | 0.39 X 0.89 | 0.97         | 5,700     |
| 3/8            | CFX 10S | 0.51            | 0.51 | 0.59 | 1.73 | 1.34 | 3.15 | 2.17 | 0.51 X 1.24 | 2.12         | 8,800     |
| 1/2            | CFX 13S | 0.67            | 0.67 | 0.69 | 2.09 | 1.85 | 4.15 | 3.19 | 0.63 X 1.65 | 4.63         | 15,000    |
| 5/8            | CFX 16S | 0.75            | 0.75 | 0.72 | 2.52 | 2.36 | 4.40 | 3.62 | 0.83 X 2.03 | 7.50         | 22,600    |

## CYFX Clevis Foundry Hook



|                |         | Dimensions (In) |      |      |      |      |      |             |       | Weight (lbs) | WLL (lbs) |
|----------------|---------|-----------------|------|------|------|------|------|-------------|-------|--------------|-----------|
| For Chain Size | Part #  | A               | B    | C    | G    | H    | R    | PXL         |       |              |           |
| 7/32-1/4       | CYFX 06 | 2.11            | 0.33 | 0.26 | 0.87 | 1.02 | 3.58 | 0.30 X 0.69 | 1.54  | 3,000        |           |
| 9/32           | CYFX 07 | 2.52            | 0.39 | 0.45 | 1.02 | 1.22 | 4.74 | 0.35 X 0.89 | 2.43  | 4,300        |           |
| 5/16           | CYFX 08 | 2.52            | 0.39 | 0.45 | 1.02 | 1.22 | 4.74 | 0.39 X 0.89 | 2.43  | 5,700        |           |
| 3/8            | CYFX 10 | 2.99            | 0.51 | 0.59 | 1.18 | 1.34 | 5.16 | 0.51 X 1.24 | 3.75  | 8,800        |           |
| 1/2            | CYFX 13 | 3.5             | 0.67 | 0.69 | 1.57 | 1.75 | 5.83 | 0.63 X 1.65 | 7.94  | 15,000       |           |
| 5/8            | CYFX 16 | 3.98            | 0.75 | 0.85 | 1.77 | 1.99 | 7.81 | 0.83 X 2.03 | 12.35 | 22,600       |           |

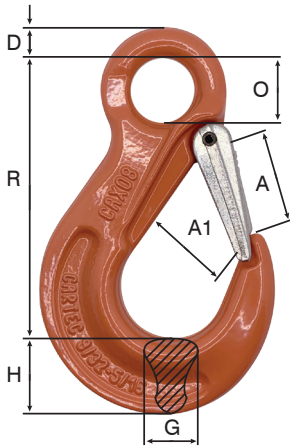
## CRFX Clevis Self Locking Hook



|                |         | Dimensions (In) |      |      |      |      |       |      |             | Weight (lbs) | WLL (lbs) |
|----------------|---------|-----------------|------|------|------|------|-------|------|-------------|--------------|-----------|
| For Chain Size | Part #  | A               | B    | C    | G    | H    | R     | T    | PXL         |              |           |
| 7/32-1/4       | CRFX 06 | 1.10            | 0.28 | 0.31 | 0.63 | 0.83 | 3.70  | 1.38 | 0.30 X 0.69 | 1.10         | 3,000     |
| 9/32           | CRFX 07 | 1.34            | 0.35 | 0.39 | 0.79 | 1.02 | 4.84  | 1.69 | 0.35 X 0.89 | 2.09         | 4,300     |
| 5/16           | CRFX 08 | 1.34            | 0.35 | 0.39 | 0.79 | 1.02 | 4.84  | 1.69 | 0.39 X 0.89 | 2.09         | 5,700     |
| 3/8            | CRFX 10 | 1.77            | 0.47 | 0.55 | 0.98 | 1.18 | 5.63  | 2.20 | 0.51 X 1.24 | 3.53         | 8,800     |
| 1/2            | CRFX 13 | 2.01            | 0.59 | 0.67 | 1.38 | 1.57 | 7.09  | 2.72 | 0.63 X 1.65 | 7.05         | 15,000    |
| 5/8            | CRFX 16 | 2.36            | 0.75 | 0.75 | 1.42 | 1.97 | 8.46  | 3.15 | 0.83 X 2.03 | 13.23        | 22,600    |
| 3/4            | CRFX 20 | 2.76            | 0.91 | 1.02 | 2.36 | 2.64 | 9.96  | 3.54 | 0.94 X 2.87 | 21.61        | 35,300    |
| 7/8            | CRFX 22 | 3.23            | 1.02 | 1.26 | 2.44 | 2.76 | 11.30 | 3.94 | 1.02 X 2.83 | 31.75        | 42,700    |

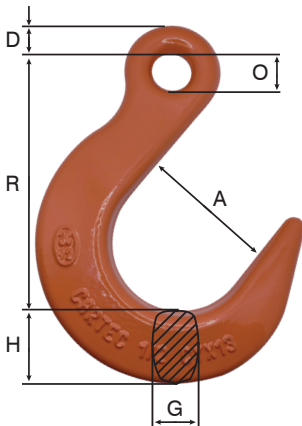


## CAX Eye Sling Hook with Forged Latch



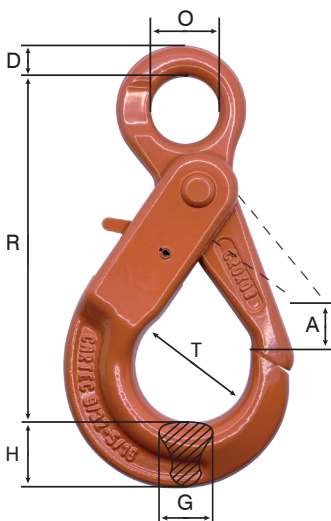
|                |          | Dimensions (in) |      |      |      |      |      |       |       | Weight (lbs) | WLL (lbs) |
|----------------|----------|-----------------|------|------|------|------|------|-------|-------|--------------|-----------|
| For Chain Size | Part #   | A               | A1   | D    | G    | H    | O    | R     |       |              |           |
| 7/32-1/4       | CAX 06SF | 1.02            | 0.75 | 0.39 | 0.63 | 0.79 | 0.81 | 3.19  | 0.55  | 3,000        |           |
| 9/32-5/16      | CAX 08SF | 1.30            | 1.02 | 0.43 | 0.75 | 1.14 | 0.98 | 3.98  | 1.10  | 5,700        |           |
| 3/8            | CAX 10SF | 1.57            | 1.22 | 0.63 | 1.02 | 1.30 | 1.34 | 5.16  | 2.14  | 8,800        |           |
| 1/2            | CAX 13SF | 2.01            | 1.57 | 0.75 | 1.30 | 1.65 | 1.69 | 6.26  | 4.19  | 15,000       |           |
| 5/8            | CAX 16SF | 2.20            | 1.77 | 0.96 | 1.57 | 1.97 | 1.97 | 7.20  | 7.28  | 22,600       |           |
| 3/4            | CAX 20SF | 2.36            | 2.05 | 1.06 | 1.89 | 2.09 | 2.17 | 7.99  | 9.92  | 35,300       |           |
| 7/8            | CAX 22SF | 2.76            | 2.44 | 1.14 | 1.97 | 2.36 | 2.36 | 8.82  | 15.65 | 42,700       |           |
| 1              | CAX 26SF | 3.03            | 2.87 | 1.38 | 2.36 | 2.95 | 2.76 | 10.12 | 26.46 | 59,700       |           |
| 1-1/4          | CAX 32SF | 4.02            | 3.82 | 1.62 | 2.87 | 3.58 | 3.31 | 13.19 | 59.52 | 90,400       |           |

## CYX Eye Foundry Hook



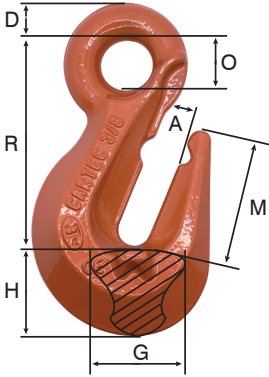
|                |        | Dimensions (in) |      |      |      |      |       |       |        | Weight (lbs) | WLL (lbs) |
|----------------|--------|-----------------|------|------|------|------|-------|-------|--------|--------------|-----------|
| For Chain Size | Part # | A               | D    | G    | H    | O    | R     |       |        |              |           |
| 7/32-1/4       | CYX 06 | 2.11            | 0.45 | 0.87 | 1.02 | 0.59 | 4.04  | 1.34  | 3,000  |              |           |
| 9/32-5/16      | CYX 08 | 2.44            | 0.53 | 0.98 | 1.14 | 0.94 | 5.04  | 2.03  | 5,700  |              |           |
| 3/8            | CYX 10 | 2.99            | 0.55 | 1.00 | 1.18 | 1.26 | 5.91  | 3.90  | 8,800  |              |           |
| 1/2            | CYX 13 | 3.50            | 0.75 | 1.50 | 1.57 | 1.06 | 6.81  | 6.22  | 15,000 |              |           |
| 5/8            | CYX 16 | 4.02            | 0.94 | 1.77 | 1.89 | 1.85 | 8.27  | 11.09 | 22,800 |              |           |
| 3/4            | CYX 20 | 4.49            | 1.10 | 2.13 | 2.36 | 2.20 | 10.24 | 16.76 | 35,300 |              |           |
| 7/8            | CYX 22 | 5.00            | 1.26 | 2.48 | 2.76 | 2.17 | 10.83 | 27.17 | 42,700 |              |           |
| 1              | CYX 26 | 5.35            | 1.38 | 2.83 | 3.15 | 2.44 | 12.01 | 39.46 | 59,700 |              |           |
| 1-1/4          | CYX 32 | 6.02            | 1.50 | 3.31 | 3.74 | 2.76 | 12.99 | 60.19 | 90,400 |              |           |

## CROX Eye Self Locking Hook



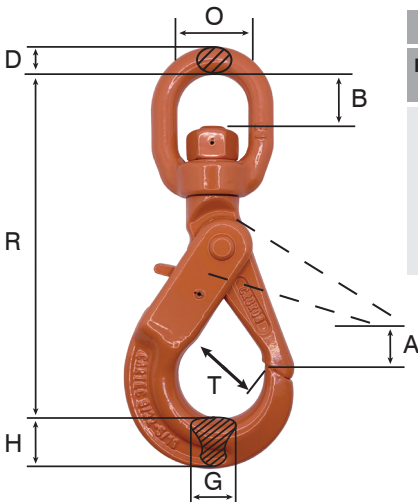
|                |         | Dimensions (in) |      |      |      |      |       |      |       | Weight (lbs) | WLL (lbs) |
|----------------|---------|-----------------|------|------|------|------|-------|------|-------|--------------|-----------|
| For Chain Size | Part #  | A               | D    | G    | H    | O    | R     | T    |       |              |           |
| 7/32-1/4       | CROX 06 | 1.10            | 0.43 | 0.63 | 0.83 | 0.83 | 4.29  | 1.38 | 1.10  | 3,000        |           |
| 9/32-5/16      | CROX 08 | 1.34            | 0.47 | 0.79 | 1.02 | 0.98 | 5.31  | 1.69 | 2.12  | 5,700        |           |
| 3/8            | CROX 10 | 1.77            | 0.63 | 0.98 | 1.18 | 1.30 | 6.61  | 2.20 | 3.64  | 8,800        |           |
| 1/2            | CROX 13 | 2.01            | 0.79 | 1.38 | 1.57 | 1.57 | 8.07  | 2.72 | 7.17  | 15,000       |           |
| 5/8            | CROX 16 | 2.36            | 1.06 | 1.42 | 1.97 | 1.97 | 9.88  | 3.15 | 13.45 | 22,300       |           |
| 3/4            | CROX 20 | 2.76            | 1.18 | 2.36 | 2.64 | 2.36 | 11.42 | 3.54 | 21.61 | 35,300       |           |
| 7/8            | CROX 22 | 3.15            | 1.26 | 2.44 | 2.76 | 2.76 | 12.68 | 3.94 | 31.75 | 42,700       |           |

### CDX Eye Grab Hook with Saddle



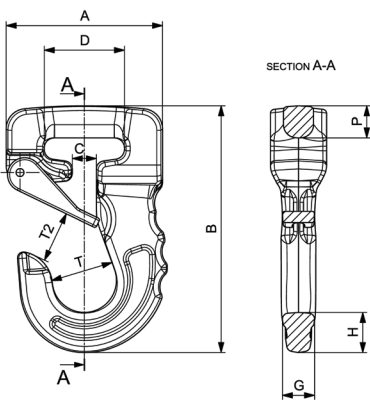
| Dimensions (In) |        |      |      |      |      |      |      |      |              |           |
|-----------------|--------|------|------|------|------|------|------|------|--------------|-----------|
| For Chain Size  | Part # | A    | D    | G    | H    | O    | R    | M    | Weight (lbs) | WLL (lbs) |
| 7/32-1/4        | CDX 06 | 0.31 | 0.33 | 0.87 | 0.87 | 0.53 | 2.11 | 1.40 | 0.40         | 3,000     |
| 9/32-5/16       | CDX 08 | 0.39 | 0.43 | 1.18 | 1.10 | 0.67 | 2.76 | 1.85 | 0.88         | 5,700     |
| 3/8             | CDX 10 | 0.51 | 0.59 | 1.73 | 1.34 | 0.87 | 3.41 | 2.17 | 1.94         | 8,800     |
| 1/2             | CDX 13 | 0.67 | 0.71 | 2.09 | 1.85 | 1.02 | 4.35 | 3.19 | 4.30         | 15,000    |
| 5/8             | CDX 16 | 0.75 | 0.83 | 2.52 | 2.36 | 1.26 | 5.08 | 3.62 | 7.05         | 22,600    |
| 3/4             | CDX 20 | 0.93 | 0.91 | 3.35 | 2.52 | 1.50 | 6.04 | 3.94 | 10.8         | 35,300    |
| 7/8             | CDX 22 | 1.02 | 1.18 | 3.43 | 2.80 | 1.65 | 7.24 | 4.53 | 16.53        | 42,700    |
| 1               | CDX 26 | 1.20 | 1.42 | 3.94 | 3.54 | 2.17 | 8.39 | 5.00 | 28.66        | 59,700    |
| 1 1/4           | CDX 32 | 1.52 | 1.73 | 6.30 | 4.41 | 2.32 | 9.65 | 7.87 | 67.24        | 90,400    |

### CRGX Swivel Self Locking Hook



| Dimensions (In) |         |       |      |      |      |      |      |      |      |              |           |
|-----------------|---------|-------|------|------|------|------|------|------|------|--------------|-----------|
| For Chain Size  | Part #  | R     | A    | B    | O    | D    | G    | H    | T    | Weight (lbs) | WLL (lbs) |
| 7/32-1/4        | CRGX 06 | 6.22  | 1.10 | 0.91 | 1.42 | 0.51 | 0.63 | 0.83 | 1.38 | 1.32         | 3,000     |
| 9/32-5/16       | CRGX 08 | 7.17  | 1.34 | 1.06 | 1.42 | 0.51 | 0.79 | 1.02 | 1.69 | 2.43         | 5,700     |
| 3/8             | CRGX 10 | 8.54  | 1.77 | 1.38 | 1.65 | 0.63 | 0.98 | 1.18 | 2.20 | 4.41         | 8,800     |
| 1/2             | CRGX 13 | 10.67 | 2.13 | 1.69 | 1.97 | 0.83 | 1.38 | 1.57 | 2.72 | 8.82         | 15,000    |
| 5/8             | CRGX 16 | 12.60 | 2.44 | 2.28 | 2.44 | 0.94 | 1.50 | 1.97 | 3.15 | 14.99        | 22,600    |

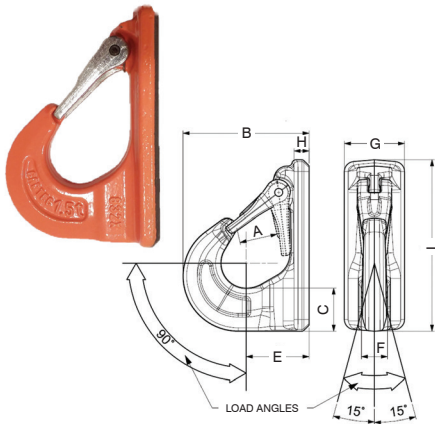
### CJ Alloy Hooks for Synthetic Slings



| Dimensions (In) |        |      |       |      |      |      |      |      |      |              |           |
|-----------------|--------|------|-------|------|------|------|------|------|------|--------------|-----------|
| Part#           | Color  | A    | B     | C    | D    | G    | H    | P    | T    | Weight (lbs) | WLL (lbs) |
| CJ026           | Purple | 3.07 | 4.84  | 0.47 | 1.61 | 0.67 | 0.79 | 0.63 | 1.22 | 1.54         | 2,600     |
| CJ053           | Green  | 3.58 | 5.83  | 0.75 | 1.77 | 0.83 | 1.02 | 0.67 | 1.57 | 2.65         | 5,300     |
| CJ084           | Yellow | 4.45 | 6.89  | 0.83 | 2.17 | 0.98 | 1.26 | 0.98 | 1.97 | 4.85         | 8,400     |
| CJ132           | Red    | 5.21 | 8.78  | 1.57 | 2.76 | 1.42 | 2.34 | 1.42 | 2.34 | 9.90         | 13,200    |
| CJ08T8          | Blue   | 7.28 | 12.48 | 1.97 | 3.94 | 1.77 | 2.48 | 2.17 | 3.15 | 27.5         | 21,200    |



## 832X Weld-On Bucket Hooks

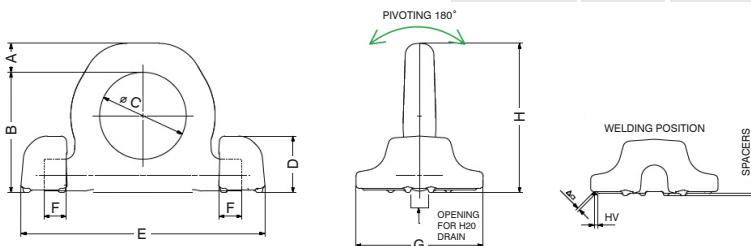


| Dimensions (In) |          |      |      |      |      |      |      |      |      |             |
|-----------------|----------|------|------|------|------|------|------|------|------|-------------|
| Part#           | WLL tons | A    | B    | C    | D    | E    | F    | G    | H    | Weight lbs. |
| C832X015        | 1.5      | 0.98 | 3.11 | 1.10 | 1.57 | 0.59 | 1.58 | 0.39 | 4.61 | 1.54        |
| C832X025        | 2.5      | 1.18 | 3.98 | 1.38 | 1.85 | 0.83 | 1.97 | 0.39 | 5.79 | 3.09        |
| C832X040        | 4        | 1.46 | 4.96 | 1.69 | 2.48 | 1.02 | 2.36 | 0.59 | 6.73 | 5.95        |
| C832X067        | 6.7      | 1.89 | 6.22 | 2.13 | 2.80 | 1.30 | 2.76 | 0.59 | 8.19 | 10.58       |

## 820X Weld-On Lifting Ring Double Base



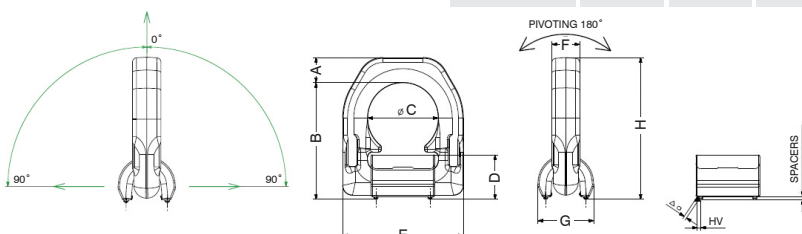
| Dimensions (In) |          |      |      |      |      |       |      |      |      |             |
|-----------------|----------|------|------|------|------|-------|------|------|------|-------------|
| Part#           | WLL tons | A    | B    | C    | D    | E     | F    | G    | H    | Weight lbs. |
| C820X04         | 4        | 0.55 | 2.56 | 1.89 | 1.14 | 5.28  | 0.55 | 2.36 | 3.11 | 1.61        |
| C820X067        | 6.7      | 0.79 | 3.27 | 2.36 | 1.54 | 6.65  | 0.63 | 3.46 | 4.06 | 3.97        |
| C820X10         | 10       | 0.87 | 3.78 | 2.56 | 1.89 | 7.72  | 0.77 | 3.86 | 4.65 | 6.61        |
| C820X16         | 16       | 1.22 | 4.96 | 3.54 | 2.17 | 10.39 | 1.14 | 5.00 | 6.10 | 12.68       |
| C820X30         | 30       | 1.65 | 6.89 | 5.12 | 3.11 | 14.61 | 1.77 | 6.18 | 8.54 | 35.27       |



## 830XM Weld-On Lifting Ring Single-Base w/Spring

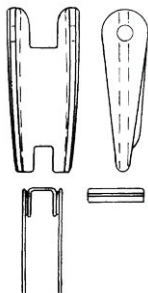


| Dimensions (In) |          |      |      |      |      |      |      |      |      |             |
|-----------------|----------|------|------|------|------|------|------|------|------|-------------|
| Part#           | WLL tons | A    | B    | C    | D    | E    | F    | G    | H    | Weight lbs. |
| C830X015M       | 1.5      | 0.55 | 2.56 | 1.50 | 0.98 | 2.60 | 0.63 | 1.22 | 3.11 | 0.86        |
| C830X025M       | 2.5      | 0.63 | 2.95 | 1.77 | 1.06 | 3.03 | 0.71 | 1.36 | 3.58 | 1.30        |
| C830X040M       | 4        | 0.71 | 3.31 | 2.01 | 1.26 | 3.43 | 0.79 | 1.57 | 4.02 | 1.92        |
| C830X067M       | 6.7      | 0.98 | 4.61 | 2.65 | 1.73 | 4.53 | 1.02 | 2.30 | 5.55 | 4.92        |
| C830X010M       | 10       | 1.22 | 4.96 | 2.64 | 2.17 | 5.08 | 1.12 | 2.78 | 6.18 | 7.34        |
| C830X016M       | 16       | 1.77 | 6.85 | 3.94 | 2.72 | 7.48 | 1.65 | 3.43 | 8.62 | 20.46       |



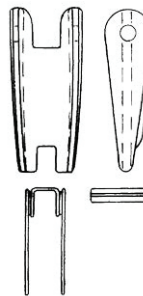


**CKSX Forged Latch Kit for Gr100 Sling Hooks**



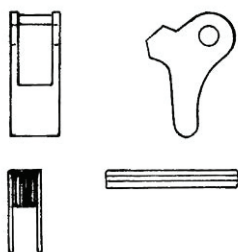
| Part#  | Chain size inch | For Use With              |
|--------|-----------------|---------------------------|
| CKSX06 | 7/32-1/4        | CAX06SF, CBX06SF          |
| CKSX08 | 9/32-5/16       | CAX08SF, CBX07SF, CBX08SF |
| CKSX10 | 3/8             | CAX10SF, CBX10SF          |
| CKSX13 | 1/2             | CAX13SF, CBX13SF          |
| CKSX16 | 5/8             | CAX16SF, CBX16SF          |
| CKSX20 | 3/4             | CAX20SF, CBX20SF          |
| CKSX22 | 7/8             | CAX22SF, CBX22SF          |
| CKXS26 | 1               | CAX26SF                   |
| CKSX32 | 1-1/4           | CAX32SF                   |

**CKS Latch for CJ Hook**



| Part# | For Use With |
|-------|--------------|
| CKS08 | CJ026 Purple |
| CKS10 | CJ053 Green  |
| CKS10 | CJ084 Yellow |
| CKS13 | CJ132 Red    |

**CKSLX Trigger Kit for Gr100 Self-Locking Hooks**



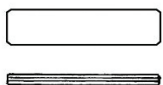
| Part#   | Chain size inch | For Use With                   |
|---------|-----------------|--------------------------------|
| CKSLX06 | 7/32-1/4        | CRFX06, CROX06, CRGX06         |
| CKSLX08 | 9/32-5/16       | CFRX07, CRFX08, CROX08, CRGX08 |
| CKSLX10 | 3/8             | CRFX10, CROX10, CRGX10         |
| CKSLX13 | 1/2             | CRFX13, CROX13, CRGX13         |
| CKSLX16 | 5/8             | CRFX16, CROX16, CRGX16         |
| CKSLX20 | 3/4             | CRFX20, CROX20                 |
| CKSLX22 | 7/8             | CRFX22, CROX22                 |

**CKXCDX Latch for Grab Hook**



| Part#    | For Use With |
|----------|--------------|
| CKXCDX08 | CDX08        |
| CKXCDX10 | CDX10        |
| CKXCDX13 | CDX13        |
| CKXCDX16 | CDX16        |

**CKPX Pin Kits for Gr100 Clevis Style Fittings**



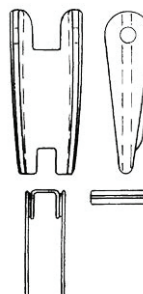
| Part#   | Chain size inch | For Use With  |
|---------|-----------------|---|
| CKPX06  | 7/32-1/4        | CFX06, CRFX06, CXX06, CYFX06, CDFX06, CDFXA106, CDFXA206, CDFXA406          |
| CKPX06B | 7/32-1/4        | CBX06SF   |
| CKPX07  | 9/32            | CBX07SF, CFX07, CRFX07, CXX07, CYFX07, CDFX07, CDFXA107, CDFXA207, CDFXA407 |
| CKPX08  | 5/16            | CBX08SF, CFX08, CRFX08, CXX08, CYFX08, CDFX08, CDFXA108, CDFXA208, CDFXA408 |
| CKPX10  | 3/8             | CRFX10, CXX10   |
| CKPX10B | 3/8             | CBX10SF   |
| CKPX10F | 3/8             | CFX10, CYFX10, CDFX10, CDFXA110, CDFXA210, CDFXA410                         |
| CKPX13  | 1/2             | CRFX13, CXX13   |
| CKPX13B | 1/2             | CBX13SF   |
| CKPX13F | 1/2             | CFX13, CYFX13, CDFX13, CDFXA113, CDFXA213, CDFXA413                         |
| CKPX16  | 5/8             | CRFX16, CXX16   |
| CKPX16B | 5/8             | CBX16SF   |
| CKPX16F | 5/8             | CFX16, CYFX16, CDFX16, CDFXA116, CDFXA216, CDFXA416                         |
| CKPX20  | 3/4             | CFX20   |
| CKPX20B | 3/4             | CBX20SF, CRFX20   |
| CKPX22  | 7/8             | CBX22SF, CFX22SF, CRFX22  |

**CLKX Collar and Pin Kit for CLX Connecting Link**



| Part#  | For Use With          |
|--------|-----------------------|
| CLKX06 | Kit for 7/32-1/4 link |
| CLKX07 | Kit for 9/32 link     |
| CLKX08 | Kit for 5/16 link     |
| CLKX10 | Kit for 3/8 link      |
| CLKX13 | Kit for 1/2 link      |
| CLKX16 | Kit for 5/8 link      |
| CLKX20 | Kit for 3/4 link      |
| CLKX22 | Kit for 7/8 link      |
| CLKX26 | Kit for 1" link       |
| CLKX32 | Kit for 1-1/4 link    |

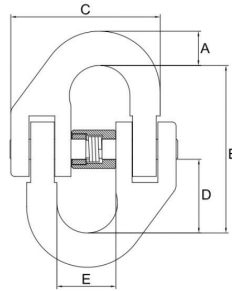
**CK832 Latch for Bucket Hooks**



| Part#     | For Use With |
|-----------|--------------|
| CK832X015 | C832X015     |
| CK832X025 | C832X025     |
| CK832X040 | C832X040     |
| CK832X067 | C832X067     |

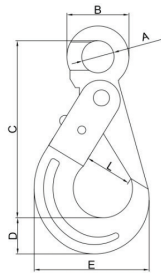


**CLM Connecting Link**



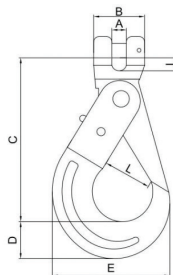
| Part #  | Trade Size | WLL (lbs) | Weight (lbs) | Dimensions (in) |      |      |      |      |
|---------|------------|-----------|--------------|-----------------|------|------|------|------|
|         |            |           |              | A               | B    | C    | D    | E    |
| 10CLM06 | 7/32       | 2,700     | 0.20         | 0.31            | 1.73 | 1.50 | 0.79 | 0.59 |
| 10CLM08 | 9/32-5/16  | 5,700     | 0.40         | 0.45            | 2.20 | 1.97 | 0.98 | 0.79 |
| 10CLM10 | 3/8        | 8,800     | 0.73         | 0.55            | 2.68 | 2.40 | 1.18 | 0.98 |
| 10CLM13 | 1/2        | 15,000    | 1.44         | 0.73            | 3.23 | 2.99 | 1.42 | 1.18 |
| 10CLM16 | 5/8        | 22,600    | 2.71         | 0.83            | 4.09 | 3.76 | 1.81 | 1.42 |
| 10CLM20 | 3/4        | 35,300    | 4.85         | 1.02            | 4.92 | 4.29 | 2.17 | 1.73 |
| 10CLM22 | 7/8        | 42,700    | 7.05         | 1.06            | 5.92 | 5.20 | 2.64 | 1.99 |
| 10CLM26 | 1          | 59,700    | 12.57        | 1.22            | 6.26 | 6.06 | 2.74 | 2.22 |

**ESLH Eye Self-locking Hook with Hidden Trigger**



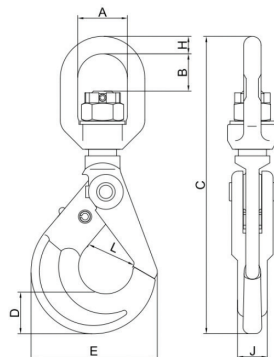
| Part #     | Trade Size | WLL (lbs) | Weight (lbs) | Dimensions (in) |      |       |      |      |      |
|------------|------------|-----------|--------------|-----------------|------|-------|------|------|------|
|            |            |           |              | A               | B    | C     | D    | E    | L    |
| 10ESLH06HT | 7/32       | 2,700     | 1.13         | 0.87            | 1.73 | 4.21  | 0.87 | 2.95 | 1.10 |
| 10ESLH08HT | 9/32-5/16  | 5,700     | 1.94         | 0.94            | 1.81 | 5.24  | 0.98 | 3.39 | 1.30 |
| 10ESLH10HT | 3/8        | 8,800     | 3.58         | 1.26            | 2.48 | 6.57  | 1.34 | 4.37 | 1.77 |
| 10ESLH13HT | 1/2        | 15,000    | 7.05         | 1.54            | 3.15 | 8.19  | 1.57 | 5.35 | 2.05 |
| 10ESLH16HT | 5/8        | 22,600    | 13.78        | 1.93            | 3.86 | 10.00 | 2.09 | 6.81 | 2.52 |
| 10ESLH20HT | 3/4        | 35,300    | 20.94        | 2.32            | 4.49 | 10.71 | 2.52 | 7.87 | 3.03 |
| 10ESLH22HT | 7/8        | 42,700    | 28.00        | 2.76            | 5.51 | 12.20 | 2.91 | 9.17 | 3.62 |

**CSLH Clevis Self-locking Hook with Hidden Trigger**



| Part #     | Trade Size | WLL (lbs) | Weight (lbs) | Dimensions (in) |      |       |      |      |      |
|------------|------------|-----------|--------------|-----------------|------|-------|------|------|------|
|            |            |           |              | A               | B    | C     | D    | E    | L    |
| 10CSLH06HT | 7/32       | 2,700     | 1.29         | 0.28            | 1.30 | 3.86  | 0.87 | 2.95 | 1.10 |
| 10CSLH08HT | 9/32-5/16  | 5,700     | 2.05         | 0.35            | 1.54 | 4.72  | 0.98 | 3.39 | 1.30 |
| 10CSLH10HT | 3/8        | 8,800     | 3.80         | 0.51            | 1.89 | 5.91  | 1.34 | 4.37 | 1.77 |
| 10CSLH13HT | 1/2        | 15,000    | 7.34         | 0.59            | 2.20 | 7.28  | 1.57 | 5.35 | 2.05 |
| 10CSLH16HT | 5/8        | 22,600    | 13.93        | 0.67            | 2.99 | 8.46  | 2.09 | 6.81 | 2.52 |
| 10CSLH20HT | 3/4        | 35,300    | 21.38        | 0.91            | 3.19 | 9.25  | 2.52 | 7.87 | 3.03 |
| 10CSLH22HT | 7/8        | 42,700    | 29.76        | 0.98            | 4.13 | 10.24 | 2.91 | 9.17 | 3.62 |

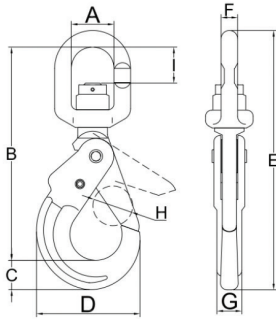
**SSLH Swivel Self-locking Hook with Bronze Bushings & Hidden Trigger**



| Part #     | Trade Size | WLL (lbs) | Weight (lbs) | Dimensions (in) |      |       |      |      |      |      |
|------------|------------|-----------|--------------|-----------------|------|-------|------|------|------|------|
|            |            |           |              | A               | B    | C     | D    | E    | H    | L    |
| 10SSLH06HT | 7/32       | 2,700     | 1.53         | 1.18            | 0.91 | 7.01  | 0.87 | 2.95 | 0.39 | 1.10 |
| 10SSLH08HT | 9/32-5/16  | 5,700     | 2.88         | 1.34            | 1.22 | 8.98  | 0.98 | 3.39 | 0.55 | 1.30 |
| 10SSLH10HT | 3/8        | 8,800     | 4.85         | 1.65            | 1.57 | 10.83 | 1.34 | 4.37 | 0.63 | 1.77 |
| 10SSLH13HT | 1/2        | 15,000    | 9.41         | 2.05            | 1.93 | 13.94 | 1.57 | 5.35 | 0.87 | 2.05 |
| 10SSLH16HT | 5/8        | 22,600    | 17.64        | 2.36            | 1.93 | 16.46 | 2.09 | 6.81 | 0.91 | 2.52 |
| 10SSLH20HT | 3/4        | 35,300    | 28.00        | 2.91            | 2.68 | 18.50 | 2.52 | 7.87 | 1.06 | 3.03 |
| 10SSLH22HT | 7/8        | 42,700    | 40.00        | 3.90            | 3.90 | 22.56 | 2.91 | 9.17 | 1.30 | 3.62 |

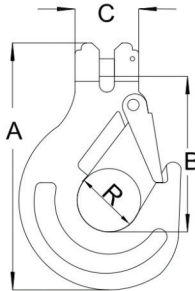


**SSLHBB Swivel Self-locking Hook with Ball Bearings & Hidden Trigger**



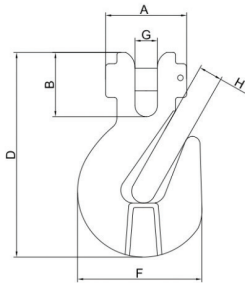
| Part #       | Trade Size | WLL (lbs) | Weight (lbs) | Dimensions (in) |       |      |      |       |      |      |      |
|--------------|------------|-----------|--------------|-----------------|-------|------|------|-------|------|------|------|
|              |            |           |              | A               | B     | C    | D    | E     | F    | H    | I    |
| 10SSLH08HTBB | 9/32-5/16  | 5,700     | 2.98         | 1.34            | 7.44  | 0.98 | 3.39 | 11.38 | 0.55 | 1.30 | 1.22 |
| 10SSLH10HTBB | 3/8        | 8,800     | 4.96         | 1.65            | 9.02  | 1.34 | 4.37 | 14.29 | 0.63 | 1.77 | 1.57 |
| 10SSLH13HTBB | 1/2        | 15,000    | 9.70         | 2.05            | 11.22 | 1.57 | 5.35 | 16.14 | 0.87 | 2.05 | 1.93 |
| 10SSLH16HTBB | 5/8        | 22,600    | 18.08        | 2.36            | 13.19 | 2.09 | 6.81 | 18.50 | 0.91 | 2.52 | 1.93 |
| 10SSLH20HTBB | 3/4        | 35,300    | 28.22        | 3.15            | 14.76 | 2.52 | 7.87 | 18.50 | 1.06 | 3.03 | 2.68 |
| 10SSLH22HTBB | 7/8        | 42,700    | 44.09        | 3.90            | 18.54 | 2.91 | 9.17 | 22.56 | 1.30 | 3.62 | 3.90 |

**CSH Clevis Sling Hook with Latch**



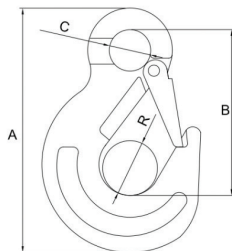
| Part #   | Trade Size | WLL (lbs) | Weight (lbs) | Dimensions (in) |      |      |      |
|----------|------------|-----------|--------------|-----------------|------|------|------|
|          |            |           |              | A               | B    | C    | R    |
| 10CSH08L | 9/32-5/16  | 5,700     | 1.34         | 5.28            | 3.35 | 1.46 | 0.94 |
| 10CSH10L | 3/8        | 8,800     | 2.49         | 6.50            | 3.94 | 1.95 | 1.14 |
| 10CSH13L | 1/2        | 15,000    | 4.59         | 7.74            | 4.96 | 2.24 | 1.46 |
| 10CSH16L | 5/8        | 22,600    | 9.83         | 10.12           | 6.81 | 2.62 | 1.89 |
| 10CSH20L | 3/4        | 35,300    | 19.33        | 12.39           | 8.50 | 3.39 | 2.36 |
| 10CSH22L | 7/8        | 42,700    | 25.35        | 12.91           | 8.27 | 3.54 | 2.44 |

**CGH Clevis Grab Hook with Saddle**



| Part #  | Trade Size | WLL (lbs) | Weight (lbs) | Dimensions (in) |      |      |      |      |      |      |
|---------|------------|-----------|--------------|-----------------|------|------|------|------|------|------|
|         |            |           |              | A               | B    | C    | D    | F    | G    | H    |
| 10CGH08 | 9/32-5/16  | 5,700     | 0.86         | 1.54            | 1.10 | 1.97 | 3.80 | 2.28 | 0.37 | 0.39 |
| 10CGH10 | 3/8        | 8,800     | 1.98         | 1.81            | 1.44 | 2.76 | 5.04 | 2.91 | 0.47 | 0.47 |
| 10CGH13 | 1/2        | 15,000    | 3.49         | 2.26            | 1.73 | 3.39 | 6.08 | 3.66 | 0.63 | 0.59 |
| 10CGH16 | 5/8        | 22,600    | 5.29         | 2.64            | 2.20 | 3.94 | 7.09 | 4.23 | 0.71 | 0.87 |
| 10CGH20 | 3/4        | 35,300    | 9.26         | 3.15            | 2.72 | 4.80 | 8.50 | 5.26 | 0.91 | 0.98 |
| 10CGH22 | 7/8        | 42,700    | 15.43        | 3.54            | 2.81 | 5.45 | 9.84 | 5.91 | 0.98 | 1.02 |

**ESH Eye Sling Hook with Latch**

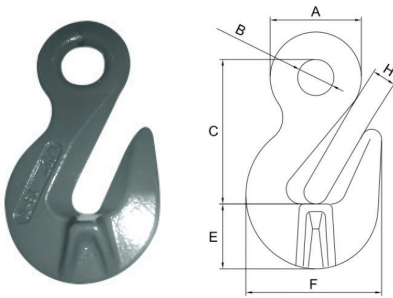


| Part #   | Trade Size | WLL (lbs) | Weight (lbs) | Dimensions (in) |       |      |      |
|----------|------------|-----------|--------------|-----------------|-------|------|------|
|          |            |           |              | A               | B     | C    | R    |
| 10ESH08L | 9/32-5/16  | 5,700     | 1.12         | 5.31            | 3.70  | 0.96 | 0.94 |
| 10ESH10L | 3/8        | 8,800     | 2.27         | 6.89            | 4.80  | 1.30 | 1.14 |
| 10ESH13L | 1/2        | 15,000    | 4.37         | 8.50            | 5.98  | 1.57 | 1.46 |
| 10ESH16L | 5/8        | 22,600    | 9.74         | 10.79           | 7.99  | 1.97 | 1.89 |
| 10ESH20L | 3/4        | 35,300    | 18.74        | 13.07           | 9.49  | 2.44 | 2.36 |
| 10ESH22L | 7/8        | 42,700    | 20.50        | 14.57           | 10.35 | 2.76 | 2.44 |



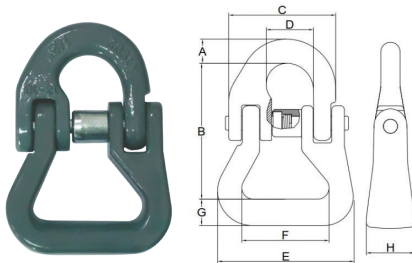


**EGH Eye Grab Hook with Saddle**



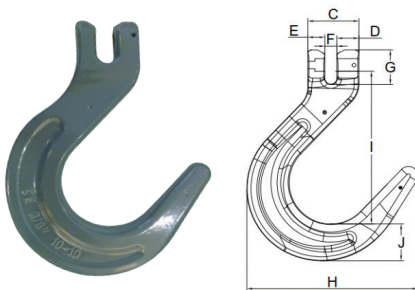
| Part #  | Trade Size | WLL (lbs) | Weight (lbs) | Dimensions (in) |      |      |      |      |      |
|---------|------------|-----------|--------------|-----------------|------|------|------|------|------|
|         |            |           |              | A               | B    | C    | E    | F    | H    |
| 10EGH08 | 9/32-5/16  | 5,700     | 0.73         | 1.40            | 0.59 | 2.28 | 1.02 | 2.22 | 0.39 |
| 10EGH10 | 3/8        | 8,800     | 1.67         | 1.75            | 0.77 | 2.99 | 1.46 | 2.85 | 0.47 |
| 10EGH13 | 1/2        | 15,000    | 3.09         | 2.34            | 0.94 | 4.02 | 1.65 | 3.66 | 0.59 |
| 10EGH16 | 5/8        | 22,600    | 4.85         | 2.76            | 1.18 | 4.45 | 1.81 | 4.20 | 0.87 |
| 10EGH20 | 3/4        | 35,300    | 7.74         | 3.27            | 1.46 | 5.28 | 2.17 | 5.08 | 0.89 |
| 10EGH22 | 7/8        | 42,700    | 13.69        | 3.60            | 1.48 | 6.02 | 2.64 | 5.81 | 1.02 |

**CWC Chain to Web Connecting Link**



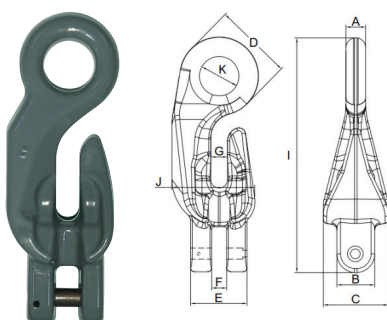
| Part #  | Chain Size Inches | WLL (lbs.) | Weight (lbs.) | Dimensions (in) |      |      |      |      |      |      |      |
|---------|-------------------|------------|---------------|-----------------|------|------|------|------|------|------|------|
|         |                   |            |               | A               | B    | C    | D    | E    | F    | G    | H    |
| 10CWC08 | 9/32-5/16         | 5,700      | 0.71          | 0.43            | 2.48 | 1.97 | 0.91 | 2.48 | 1.57 | 0.55 | 0.94 |
| 10CWC10 | 3/8               | 8,800      | 1.32          | 0.55            | 3.15 | 2.40 | 1.14 | 3.03 | 1.97 | 0.59 | 1.10 |
| 10CWC13 | 1/2               | 15,000     | 2.45          | 0.67            | 3.74 | 2.99 | 1.34 | 3.66 | 2.36 | 0.75 | 1.30 |
| 10CWC16 | 5/8               | 22,600     | 4.74          | 0.83            | 4.65 | 3.66 | 1.61 | 4.65 | 2.95 | 0.90 | 1.65 |

**CFH Clevis Foundry Hook**



| Part#   | Trade size | WLL (lbs) | Weight (lbs) | Dimensions (in) |      |      |      |      |      |      |  |
|---------|------------|-----------|--------------|-----------------|------|------|------|------|------|------|--|
|         |            |           |              | C               | D    | E    | F    | G    | H    | J    |  |
| 10CFH08 | 9/32-5/16  | 5,700     | 2.03         | 1.59            | 0.69 | 0.53 | 0.37 | 1.07 | 5.33 | 1.16 |  |
| 10CFH10 | 3/8        | 8,800     | 4.15         | 1.85            | 0.75 | 0.61 | 0.49 | 1.32 | 6.19 | 1.42 |  |
| 10CFH13 | 1/2        | 15,000    | 6.69         | 2.03            | 0.79 | 0.63 | 0.61 | 1.75 | 7.60 | 1.57 |  |
| 10CFH16 | 5/8        | 22,600    | 11.20        | 2.97            | 1.18 | 1.06 | 0.73 | 2.20 | 8.73 | 1.85 |  |

**ISC In-Line Shortening Clutch**



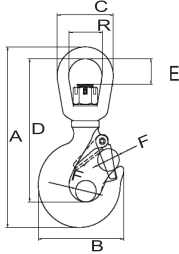
| Part #  | Trade size | WLL (lbs) | Weight (lbs) | Dimensions (in) |      |      |      |      |      |      |      |       |      |
|---------|------------|-----------|--------------|-----------------|------|------|------|------|------|------|------|-------|------|
|         |            |           |              | A               | B    | C    | D    | E    | F    | G    | K    | I     | J    |
| 10ISC07 | 9/32       | 4,300     | 1.37         | 0.48            | 0.94 | 1.54 | 1.91 | 1.48 | 0.43 | 0.45 | 0.95 | 5.93  | 2.09 |
| 10ISC08 | 5/16       | 5,700     | 1.37         | 0.48            | 0.94 | 1.54 | 1.91 | 1.48 | 0.43 | 0.45 | 0.95 | 5.93  | 2.09 |
| 10ISC10 | 3/8        | 8,800     | 2.76         | 0.57            | 1.14 | 1.97 | 2.31 | 1.83 | 0.53 | 0.55 | 1.22 | 7.71  | 2.73 |
| 10ISC13 | 1/2        | 15,000    | 5.95         | 0.71            | 1.46 | 2.52 | 2.87 | 1.99 | 0.59 | 0.61 | 1.46 | 9.73  | 3.61 |
| 10ISC16 | 5/8        | 22,600    | 10.58        | 0.96            | 1.83 | 3.15 | 3.82 | 2.74 | 0.73 | 0.81 | 1.91 | 11.44 | 4.03 |



# BLUE CLASSIC<sup>™</sup> TAIWAN<sup>™</sup> Alloy Hooks with Latch Powder Coated Finish 5:1 Design Factor

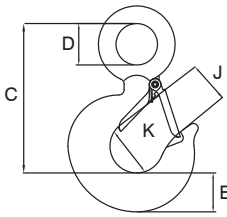
## GRADE 100

### Alloy Swivel Hooks with Latch **NEW**



| Part #   | Trade Size | Weight (lbs) | Dimensions (in) |      |      |      |      |      |      |
|----------|------------|--------------|-----------------|------|------|------|------|------|------|
|          |            |              | A               | B    | C    | D    | E    | F    | R    |
| ASH0100A | 1t         | 0.99         | 5.81            | 2.86 | 2.02 | 4.57 | 0.85 | 0.63 | 1.24 |
| ASH0150A | 1-1/2t     | 1.48         | 6.81            | 3.06 | 2.52 | 5.43 | 1.26 | 0.79 | 1.46 |
| ASH0200A | 2t         | 2.95         | 8.58            | 3.84 | 3.27 | 6.81 | 1.69 | 0.91 | 1.97 |
| ASH0300A | 3t         | 3.66         | 8.84            | 4.23 | 3.27 | 7.01 | 1.50 | 0.98 | 1.97 |
| ASH0500A | 5t         | 6.74         | 10.98           | 5.20 | 4.21 | 8.74 | 2.05 | 1.34 | 2.71 |

### Alloy Eye Hooks with Latch **NEW**



| Part # | Trade Size | Weight (lbs) | Dimensions (in) |      |      |      |      |
|--------|------------|--------------|-----------------|------|------|------|------|
|        |            |              | C               | D    | E    | J    | K    |
| 0120SA | 1.25t      | 0.55         | 3.22            | 0.77 | 0.83 | 0.79 | 1.26 |
| 0160SA | 1.6t       | 0.85         | 3.66            | 0.98 | 0.91 | 0.87 | 1.38 |
| 0250SA | 2.5t       | 1.45         | 4.16            | 1.06 | 1.05 | 0.91 | 1.52 |
| 0320SA | 3.2t       | 2.09         | 4.79            | 1.28 | 1.22 | 1.06 | 1.68 |
| 0540SA | 5.4t       | 4.35         | 5.75            | 1.50 | 1.47 | 1.26 | 2.00 |

## Spare Parts

#### Latch kits for Swivel Alloy Hooks



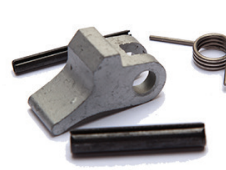
| Part # | Trade Size |
|--------|------------|
| ALK010 | 1t         |
| ALK015 | 1-1/2t     |
| ALK020 | 2t         |
| ALK030 | 3t         |
| ALK050 | 5t         |

#### Latch kits for Grade 100 Sling Hooks



| Part # | Trade Size |
|--------|------------|
| SLK7/8 | 9/32-5/16  |
| SLK010 | 3/8        |
| SLK013 | 1/2        |
| SLK016 | 5/8        |
| SLK020 | 3/4        |
| SLK022 | 7/8        |

#### Grade 100 Trigger Kits for Self Locking Hooks



| Part #     | Trade Size |
|------------|------------|
| 10STK6HT   | 7/32       |
| 10STK7/8HT | 9/32-5/16  |
| 10STK10HT  | 3/8        |
| 10STK13HT  | 1/2        |
| 10STK16HT  | 5/8        |
| 10STK20HT  | 3/4        |
| 10STK22HT  | 7/8        |

#### Grade 100 Coupling Pin and Collar



| Part #   | Trade Size |
|----------|------------|
| 10SCP6   | 7/32       |
| 10SCP7/8 | 9/32-5/16  |
| 10SCP10  | 3/8        |
| 10SCP13  | 1/2        |
| 10SCP16  | 5/8        |
| 10SCP20  | 3/4        |
| 10SCP22  | 7/8        |
| 10SCP26  | 1          |

#### Grade 100 Load Pin Kits



| Part #    | Trade Size |
|-----------|------------|
| 10SLPK6   | 7/32       |
| 10SLPK7/8 | 9/32-5/16  |
| 10SLPK10  | 3/8        |
| 10SLPK13  | 1/2        |
| 10SLPK16  | 5/8        |
| 10SLPK20  | 3/4        |
| 10SLPK22  | 7/8        |

#### Latch Kits for Alloy Eye Hooks



| Part # | Trade Size |
|--------|------------|
| ELK012 | 1.25t      |
| ELK016 | 1.6t       |
| ELK025 | 2.5t       |
| ELK032 | 3.2t       |
| ELK054 | 5.4t       |

## Product Markings



**Raised letter stamped markings exceed what is required by ASTM and other North American applicable standards and include:**

- Size in metric and inch fraction
- "10" for Grade 100
- Batch traceability code
- "K"/"UK" manufacturer's code
- AMH brand marking



LIFTING  
ACCESSORIES







# Plate Lifting Clamps Universal & Horizontal

½ to 5 Metric Ton Capacity

## FEATURES

- ▶ All steel body for durable strength in a smaller size.
- ▶ For use with material having surface hardness < HRC 37
- ▶ Minimum 10% WLL is required to ensure grip. (PCUA)
- ▶ 180° turning range for easy positioning or transfer of plates. (PCUA)
- ▶ Lever ensures pre-tensioning and release of grip jaws. (PCUA)
- ▶ Replacement parts and kits are available.
- ▶ Meets: EU Directives: 2006/42/EC and ASME B30.20.
- ▶ Individually serialized and tested to 2x WLL. Factory test certification of proof load is included.

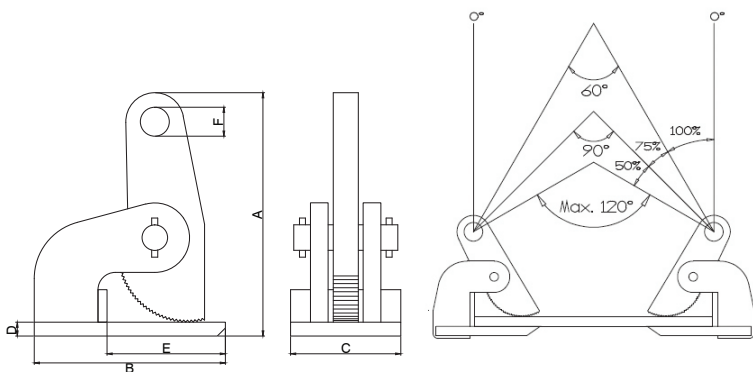


Now with  
Carved-In  
Labeling



## PCH Horizontal

| Top Sling Angle | = | % Maximum Rated Capacity |
|-----------------|---|--------------------------|
| 0° to 60°       | = | 100%                     |
| 60+° to 90°     | = | 75%                      |
| 90+° to 120°    | = | 50%                      |

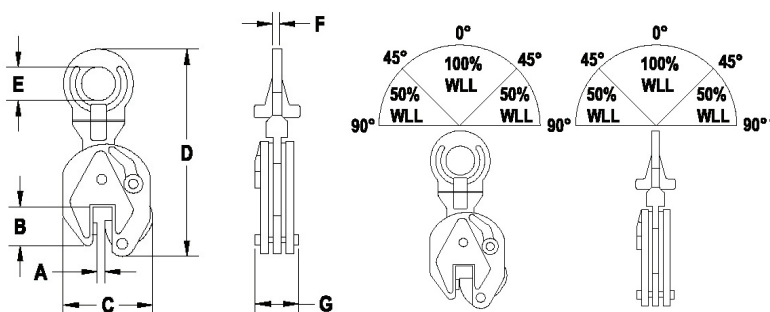


### PCH SERIES SPECIFICATIONS AND DIMENSIONS (inches)

| Model# | WLL (pair) metric ton | Weight (lbs.) | Jaw Opening | A     | B    | C    | D    | E    | F    |
|--------|-----------------------|---------------|-------------|-------|------|------|------|------|------|
| PCH005 | 0.5t                  | 6.2           | 0- 1-3/8    | 6.61  | 5.51 | 2.56 | 0.47 | 3.86 | 0.79 |
| PCH010 | 1.0t                  | 13.2          | 0- 2-3/8    | 10.43 | 7.09 | 2.95 | 0.47 | 4.33 | 0.98 |
| PCH020 | 2.0t                  | 16.5          | 0- 2-3/8    | 10.43 | 7.09 | 3.15 | 0.63 | 4.33 | 0.98 |
| PCH030 | 3.0t                  | 22            | 0- 2-3/8    | 12.01 | 8.66 | 3.54 | 0.70 | 5.31 | 1.18 |
| PCH050 | 5.0t                  | 34            | 0- 2-3/8    | 12.01 | 8.66 | 4.33 | 0.98 | 4.92 | 1.18 |

Note: WLL rating is per pair (to be used in pairs only).

## PCUA Universal



### PCUA SERIES SPECIFICATIONS AND DIMENSIONS (inches)

| Model#  | WLL metric ton | Weight (lbs.) | Plate Size A | B   | C   | D    | E   | F   | G   |
|---------|----------------|---------------|--------------|-----|-----|------|-----|-----|-----|
| PCUA005 | 0.5t           | 4.4           | 0- 5/8       | 1.7 | 4.2 | 8.5  | 1.2 | 0.4 | 2.0 |
| PCUA010 | 1.0t           | 9.9           | 0- 3/4       | 2.5 | 5.7 | 11.5 | 1.9 | 0.5 | 2.6 |
| PCUA020 | 2.0t           | 16.1          | 0- 1         | 3.1 | 6.9 | 14.5 | 2.7 | 0.6 | 3.0 |
| PCUA030 | 3.0t           | 33.0          | 0- 1-1/8     | 3.3 | 8.1 | 16.9 | 2.9 | 0.8 | 4.0 |
| PCUA050 | 5.0t           | 47.5          | 0- 2         | 3.9 | 9.4 | 18.9 | 3.1 | 0.9 | 4.3 |



Before using these products; read and follow instructions in the operator's manual. Never exceed capacity. Do not use for lifting people or loads over people.

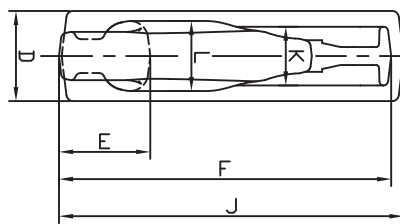
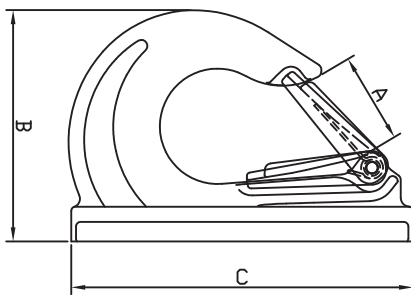
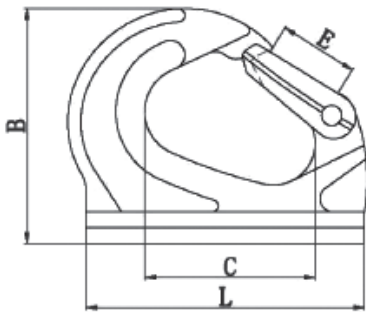


# Weld-on Bucket Hooks

## GRADE 80

### FEATURES

- ▶ Grade 80 alloy steel.
- ▶ These Weld on Hooks are designed for weldable attachment to equipment to provide a lifting/pulling point for easy attachment of chain, wire rope or web slings.
- ▶ **Warning:** Never exceed working load limit.
- ▶ Meets ASTM A952/A952M-2 and ASME B30.10



DIMENSIONS (inches)

| Part# | WLL tons | B    | C    | E    | L    | Weight (lbs.) | Latch Part# |
|-------|----------|------|------|------|------|---------------|-------------|
| WBH01 | 1        | 3.13 | 2.32 | 0.91 | 3.84 | 1.06          | LKBH01      |
| WBH02 | 2        | 3.62 | 2.56 | 1.04 | 4.45 | 1.94          | LKBH02      |
| WBH03 | 3        | 4.17 | 2.93 | 1.22 | 5.02 | 2.65          | LKBH03      |
| WBH05 | 5        | 5.24 | 3.82 | 1.47 | 6.72 | 5.56          | LKBH05      |
| WBH08 | 8        | 5.48 | 3.68 | 1.39 | 6.89 | 7.19          | LKBH08      |
| WBH10 | 10       | 6.51 | 5.44 | 2.00 | 8.73 | 9.68          | LKBH10      |

DIMENSIONS (inches)

| Part# | WLL tons | A    | B    | C     | D    | E    | F     | J     | K    | L    | Weight (lbs.) | Latch Part# |
|-------|----------|------|------|-------|------|------|-------|-------|------|------|---------------|-------------|
| WBH16 | 16       | 2.91 | 7.01 | 10.61 | 2.76 | 2.84 | 10.30 | 10.69 | 1.57 | 2.13 | 19.84         | LKBH16      |
| WBH20 | 20       | 3.15 | 8.07 | 11.94 | 3.15 | 3.19 | 11.59 | 12.03 | 2.05 | 2.44 | 28.66         | LKBH20      |



Before using these products; read and follow instructions in the operator's manual. Never exceed capacity. Do not use for lifting people or loads over people.



# Web Slings | Eye & Eye and Endless Slings

## FEATURES

- ▶ Heavy Duty Polyester Web Slings available in 1 or 2 ply. Lengths are measured from bearing point to bearing point.
- ▶ Eyes are reinforced with polyester wear pads. Working load limits are rated at a 5:1 design factor.

### Eye & Eye Sling

#### 1-Ply Heavy Duty (Class 7)



| Part #  | Sling Width | Eye         | Work Load Limit (lbs) |        |        | Base Length | Weight | Add       |
|---------|-------------|-------------|-----------------------|--------|--------|-------------|--------|-----------|
|         | (in)        | Length (in) | Vertical              | Choker | Basket | (ft)        | (lbs)  | Weight/ft |
| EE 1901 | 1           | 10          | 1,600                 | 1,280  | 3,200  | 3           | 0.40   | 0.06      |
| EE 1902 | 2           | 12          | 3,200                 | 2,500  | 6,400  | 3           | 0.80   | 0.12      |
| EE 1903 | 3           | 12          | 4,800                 | 3,840  | 9,600  | 3           | 1.40   | 0.18      |
| EE 1904 | 4           | 12          | 6,400                 | 5,000  | 12,800 | 3           | 1.90   | 0.24      |

Note: 1" & 2" slings have flat eyes. 3" & 4" slings have tapered eyes (folded in half)

#### 2-Ply Heavy Duty (Class 7)

| Part #  | Sling Width | Eye         | Work Load Limit (lbs) |        |        | Base Length | Weight | Add       |
|---------|-------------|-------------|-----------------------|--------|--------|-------------|--------|-----------|
|         | (in)        | Length (in) | Vertical              | Choker | Basket | (ft)        | (lbs)  | Weight/ft |
| EE 2901 | 1           | 10          | 3,200                 | 2,500  | 6,400  | 3           | 0.50   | 0.13      |
| EE 2902 | 2           | 12          | 6,400                 | 5,000  | 12,800 | 3           | 0.90   | 0.25      |
| EE 2903 | 3           | 12          | 8,800                 | 7,040  | 17,600 | 3           | 1.70   | 0.38      |
| EE 2904 | 4           | 12          | 12,000                | 9,600  | 24,000 | 3           | 2.30   | 0.50      |

Note: 1" & 2" slings have flat eyes. 3" & 4" slings have tapered eyes (folded in half)

### Endless Web Sling

#### 1-Ply Heavy Duty (Class 7)



| Part #  | Sling Width | Work Load Limit (lbs) |        |        | Base Length | Weight | Add       |
|---------|-------------|-----------------------|--------|--------|-------------|--------|-----------|
|         | (in)        | Vertical              | Choker | Basket | (ft)        | (lbs)  | Weight/ft |
| EN 1901 | 1           | 3,200                 | 2,560  | 6,400  | 3           | 0.40   | 0.12      |
| EN 1902 | 2           | 6,400                 | 5,000  | 12,800 | 3           | 0.80   | 0.24      |
| EN 1903 | 3           | 9,400                 | 7,520  | 18,800 | 3           | 1.30   | 0.36      |
| EN 1904 | 4           | 12,400                | 9,920  | 24,800 | 3           | 1.70   | 0.48      |

#### 2-Ply Heavy Duty (Class 7)

| Part #  | Sling Width | Work Load Limit (lbs) |        |        | Base Length | Weight | Add       |
|---------|-------------|-----------------------|--------|--------|-------------|--------|-----------|
|         | (in)        | Vertical              | Choker | Basket | (ft)        | (lbs)  | Weight/ft |
| EN 2901 | 1           | 6,400                 | 5,000  | 12,800 | 3           | 0.80   | 0.25      |
| EN 2902 | 2           | 12,400                | 9,920  | 24,800 | 3           | 1.60   | 0.50      |
| EN 2903 | 3           | 17,600                | 14,080 | 35,200 | 3           | 2.60   | 0.76      |
| EN 2904 | 4           | 22,000                | 17,600 | 44,000 | 3           | 3.40   | 1.00      |

### Wear Pads

#### High Density Felt Wear Pads. 5/16" Thick



| Part # | Sleeve Width (in) | Sleeve Length (in) | For Round Slings   | For Web Slings  |
|--------|-------------------|--------------------|--------------------|-----------------|
| WP4X12 | 4                 | 12                 | DR1, DR2, DR3      | EE & EN 1" & 2" |
| WP6X12 | 6                 | 12                 | DR4, DR5, DR6, DR7 | EE & EN 3" & 4" |
| WP4X36 | 4                 | 36                 | DR1, DR2, DR3      | EE & EN 1" & 2" |
| WP6X36 | 6                 | 36                 | DR4, DR5, DR6, DR7 | EE & EN 3" & 4" |





# Double Jacket Round Slings

## FEATURES

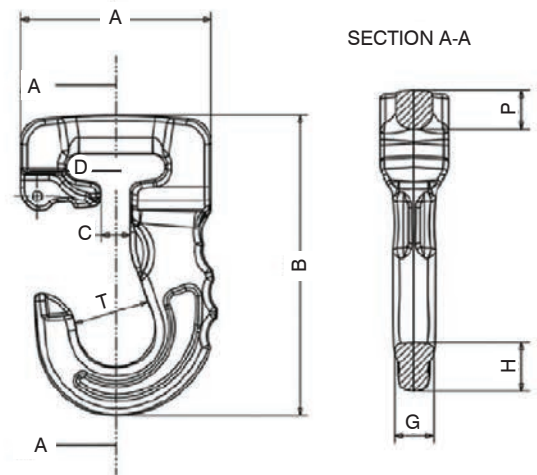
- ▶ Endless Polyester Round Sling lengths are measured from bearing point to bearing point and WLL's are rated vertically at 5:1 design factor. All standard round slings are double jacket.

## Specifications and Dimensions



| Part # | Color  | Work Load (lbs) |        |         | Weight (lbs/ft) | Width           |
|--------|--------|-----------------|--------|---------|-----------------|-----------------|
|        |        | Vertical        | Choker | Basket  |                 |                 |
| DR1    | PURPLE | 2,600           | 2,100  | 5,200   | 0.20            | 5/8" - 1"       |
| DR2    | GREEN  | 5,300           | 4,200  | 10,600  | 0.30            | 7/8" - 1-3/8"   |
| DR3    | YELLOW | 8,400           | 6,700  | 16,800  | 0.50            | 1-1/8" - 1-3/4" |
| DR4    | TAN    | 10,600          | 8,500  | 21,200  | 0.60            | 1-1/8" - 1-7/8" |
| DR5    | RED    | 13,200          | 10,600 | 26,400  | 0.80            | 1-3/8" - 2"     |
| DR6    | WHITE  | 16,800          | 13,400 | 33,600  | 0.87            | 1-3/8" - 2-1/8" |
| DR7    | BLUE   | 21,200          | 17,000 | 42,400  | 1.30            | 1-3/4" - 2-5/8" |
| DR9    | ORANGE | 31,000          | 24,800 | 62,000  | 2.00            | 2-1/4" - 3-1/4" |
| DR12   | ORANGE | 66,000          | 52,800 | 132,000 | 3.50            | 3-1/8" - 4-5/8" |
| DR13   | ORANGE | 90,000          | 72,000 | 180,000 | 4.50            | 3-5/8" - 5-1/4" |

## CARTEC MADE IN ITALY Alloy Sling Hooks for Synthetic Slings



Synthetic Sling Hook color coded matching Round Sling of same color. WLL are rated at 5:1 design factor.

| Part # | Color  | Dimensions (in) |       |      |      |      |      |      |      | Weight (lbs) | WLL (lbs) |
|--------|--------|-----------------|-------|------|------|------|------|------|------|--------------|-----------|
|        |        | A               | B     | C    | D    | G    | H    | P    | T    |              |           |
| CJ026  | PURPLE | 3.07            | 4.84  | 0.47 | 1.61 | 0.67 | 0.79 | 0.63 | 1.22 | 1.54         | 2,600     |
| CJ053  | GREEN  | 3.58            | 5.83  | 0.75 | 1.77 | 0.83 | 1.02 | 0.67 | 1.57 | 2.65         | 5,300     |
| CJ084* | YELLOW | 4.45            | 6.89  | 0.83 | 2.17 | 0.98 | 1.26 | 0.98 | 1.97 | 4.85         | 8,400     |
| CJ132  | RED    | 5.21            | 8.78  | 1.57 | 2.76 | 1.42 | 2.34 | 1.42 | 2.34 | 9.90         | 13,200    |
| CJ08T8 | BLUE   | 7.28            | 12.48 | 1.97 | 3.94 | 1.77 | 2.48 | 2.17 | 3.15 | 27.50        | 21,200    |

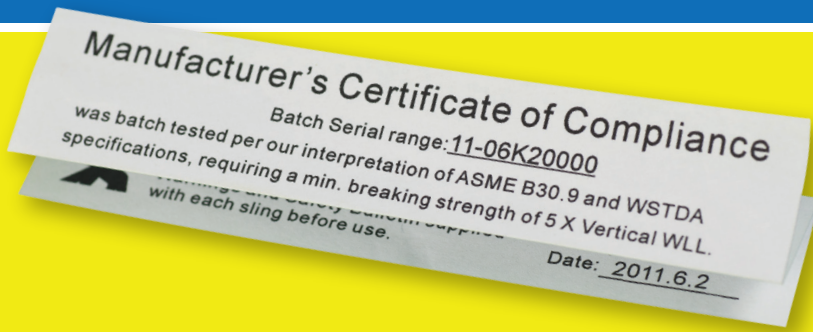
\*Also fits a 2" 2-ply Eye & Eye or 2" 1-ply Endless Sling

Never exceed work load limit. Always follow your domestic safety regulations.

# SAFETY WARNINGS:

All slings come standard with comprehensive warning tags and bulletins. Together they offer safety information that can be used not only as a "warning" system but also as part of a larger occupational training system. These tags and bulletins provide a convenient guide for safety and inspection guidelines\*, reducing accidents caused by misuse.

\*Not to be used in place of proper training



## CERTIFICATION

Each sling is serialized and comes with a signed manufacturer's certificate of compliance for meeting ASME B30.9 and WSTDA standards including batch test conformation of a 5x design factor. The certificates are issued for the serial number range covered by the batch.



# Lashing Straps – Tie Downs

## FEATURES

▶ Two part heavy duty wide handle, 2" ratchet style webbing assemblies. For load securing. Meets D.O.T regulations.



| Part#     | Working Load (lbs) | Breaking Strength (lbs) | Style        | Width (in) | Length (in) | Weight (lbs) |
|-----------|--------------------|-------------------------|--------------|------------|-------------|--------------|
| TD 0120VH | 835                | 2500                    | Vinyl S-Hook | 1          | 20          | 2.3          |
| TD 0227   | 3,300              | 10,000                  | Flat Hook    | 2          | 27          | 6            |
| TD 0230   | 3,300              | 10,000                  | Flat Hook    | 2          | 30          | 6.05         |

## FEATURES

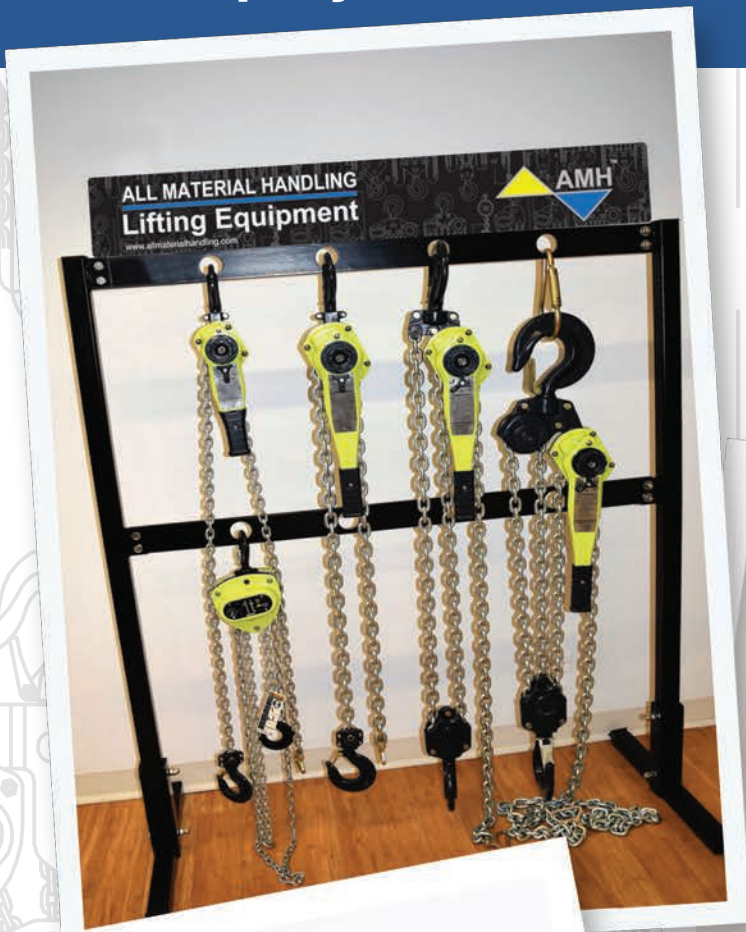
▶ 4" Winch strap assembly, Use this assembly with ratchet winches to secure the cargo to flat-bed trucks and trailer. Meets D.O.T and California Highway Patrol regulations.



| Part#   | Working Load (lbs) | Breaking Strength (lbs) | Style     | Width (in) | Length (in) | Weight (lbs) |
|---------|--------------------|-------------------------|-----------|------------|-------------|--------------|
| WS 0427 | 5,000              | 15,000                  | Flat Hook | 4          | 27          | 4.3          |
| WS 0430 | 5,000              | 15,000                  | Flat Hook | 4          | 30          | 4.6          |



# Hoist Displays



Contact Your AMH Representative for Details



## Hoist Products



## Grade 100 Lifting Chain and Components



## Lifting Accessories



## Synthetic Slings



### Contact AMH

All Material Handling  
345 N. Canal St, Ste C1  
Chicago, IL 60606  
sales@allmaterialhandling.com

### Call Us

Local: (312) 698-8658  
Toll-Free: (877) 543-8264  
Fax: (312) 274-9780

### Multiple Distribution Centers

Des Moines, IA 50317  
Monroe, GA 30655  
Houston, TX 77028  
Milwaukie, OR 97222



[www.allmaterialhandling.com](http://www.allmaterialhandling.com)